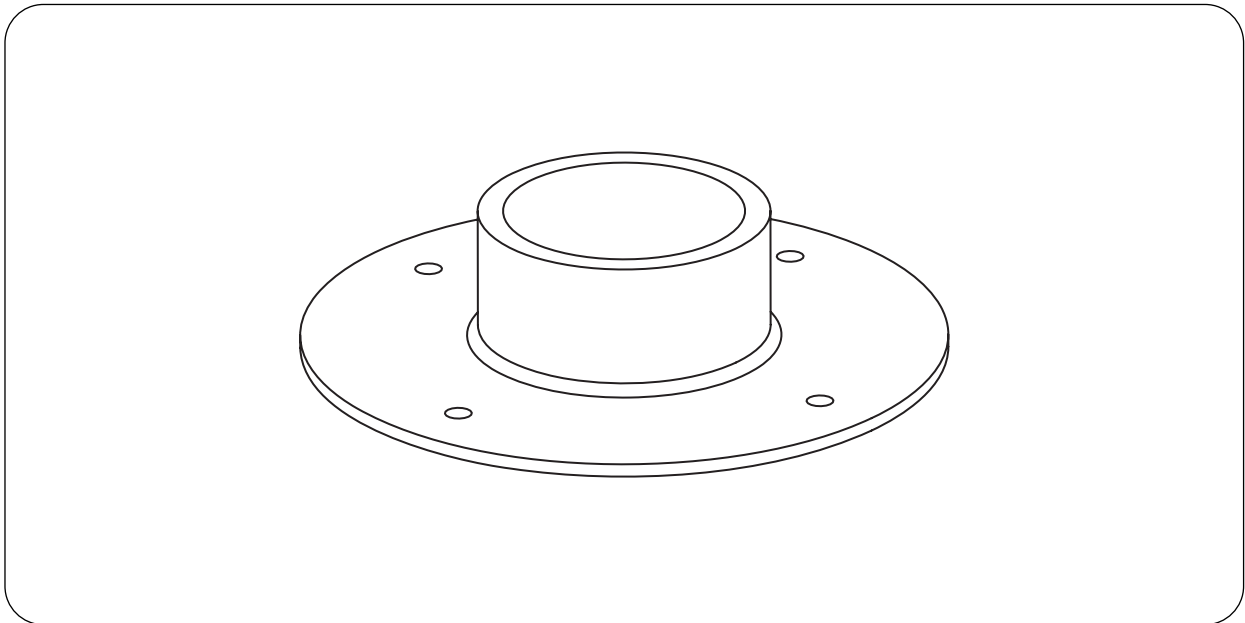


PENDANT ADAPTER**C-BC704PB****TABLE OF CONTENTS**

1. SAFETY PRECAUTIONS	2	4. INSTALLATION	5
2. GENERAL DESCRIPTION	4	5. SPECIFICATIONS	8
3. HANDLING PRECAUTIONS	4	Accessories	8

Thank you for purchasing TOA's Pendant Adapter. Please carefully follow the instructions in this manual to ensure long, trouble-free use of your equipment.

1. SAFETY PRECAUTIONS

- Before installation or use, be sure to carefully read all the instructions in this section for correct and safe operation.
- Make sure to observe the instructions in this manual as the conventions of safety symbols and messages regarded as very important precautions are included.
- We also recommend you keep this instruction manual handy for future reference.

Safety Symbol and Message Conventions

Safety symbols and messages described below are used in this manual to prevent bodily injury and property damage which could result from mishandling. Before operating your product, read this manual first and understand the safety symbols and messages so you are thoroughly aware of the potential safety hazards.



WARNING

Indicates a potentially hazardous situation which, if mishandled, could result in death or serious personal injury.

When Installing the Unit

- Install the unit only in a location that can structurally support the weight of the unit and the mounting bracket. Doing otherwise may result in the unit falling down and causing personal injury and/or property damage.
- Do not install the unit in the following locations to avoid a traffic accident or personal injury:
 - Locations which block the driving of a car.
 - Locations where the unit can strike your body or catch your cloth when getting on or down the car.
- Avoid installing or mounting the unit in unstable locations, such as on a rickety table or a slanted surface. Doing so may result in the unit falling down and causing personal injury and/or property damage.
- Only use the unit's dedicated mounting hardware. The use of mounting hardware not designated could result in the unit falling and possibly causing personal injury.
- Do not use other methods than specified to mount the bracket. Extreme force is applied to the unit and the unit could fall off, possibly resulting in personal injuries.
- Attach the safety wire to the unit. If not attached, the unit could fall off, resulting in personal injury.
- Use nuts and bolts that are appropriate for the ceiling's or wall's structure and composition. Failure to do so may cause the unit to fall, resulting in material damage and possible personal injury.
- Tighten each nut and bolt securely. Ensure that the bracket has no loose joints after installation to prevent accidents that could result in personal injury.
- Avoid installing the unit in locations exposed to sea breeze or corrosive gas. The unit or its mounts may be subject to corrosion, that might cause it to fall or result in other accidents.
- Do not mount the unit in locations exposed to constant vibration. The mounting screws and/or bolts may be loosened by excessive vibration, potentially causing the unit to fall, which could result in personal injury.
- To prevent lightning strikes, install the unit at least five meters away from a lightning rod, and yet within the protective range (angle of 45°) of the lightning conductor. Lightning strikes may cause a fire, electric shock or personal injury.
- When installing the unit in the snowy area, take appropriate measures to prevent snow from lying on the unit. If the snow lies on the unit, the unit may fall, causing personal injuries.
- Owing to the unit's size and weight, be sure that at least two persons are available to install the unit. Failure to do so could result in personal injury.



WARNING

Indicates a potentially hazardous situation which, if mishandled, could result in death or serious personal injury.

When Installing the Unit

- Avoid installing the unit at heights exceeding 16 meters above the ground since the unit could be exposed to unexpected strong winds that might cause it to fall or result in other accidents.

When the Unit is in Use

- Do not touch the unit during thunder and lightning, as this may result in electric shock.



CAUTION

Indicates a potentially hazardous situation which, if mishandled, could result in moderate or minor personal injury, and/or property damage.

When Installing the Unit

- Leave the installation of the unit to your TOA dealer because the installation requires expert experience and skills. The unit may fall off if incorrectly installed, resulting in possible personal injury.
- To avoid electric shock, be sure to switch off the power before power supply wiring work.

When the Unit is in Use

- Do not stand or sit on, nor hang down from the unit as this may cause it to fall down or drop, resulting in personal injury and/or property damage.
- Have the unit checked periodically by the shop from where it was purchased. Failure to do so may result in corrosion or damage to the unit or its mounting bracket that could cause the unit to fall, possibly causing personal injury.

2. GENERAL DESCRIPTION

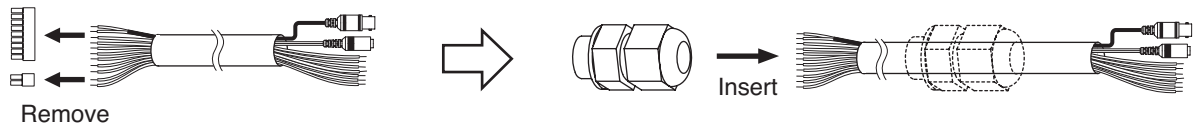
The C-BC704PB is designed to suspend the C-CC704 Combination Camera from the ceiling in combination with the suspension pipe (required separately).

3. HANDLING PRECAUTIONS

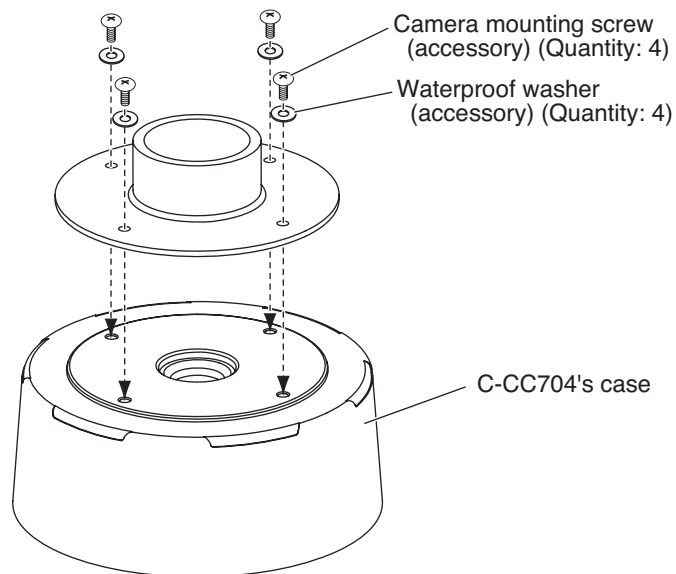
- Mount the unit to a robustly constructed concrete ceiling surface. Avoid mounting the unit to a pole on which other objects susceptible to wind are also mounted.
- Bolts and nuts used to fix the unit to a ceiling are not included. Prepare those appropriate for the materials and the strength of installation location, and strong enough to withstand the total weight of the unit and the camera.
- Do not install the unit in locations exposed to constant vibration. Do not install the unit in a vehicle nor ship.
- Avoid installing the unit on sea or shore, or in locations exposed to corrosive gas, herbicides or other sprayed liquid chemicals, or extraordinary combustible conditions.
- To prevent camera unit fall, connect the safety wire supplied with the camera to the case when installing the camera unit to the case.
- Combination cameras is designed solely for suspended installations. The dome must be suspended vertically with its dome facing downward. Use special care not to suspend it at a tilted angle.
- Do not give the unit a great shock or vibration, as this will cause the unit to fall or break.

4. INSTALLATION

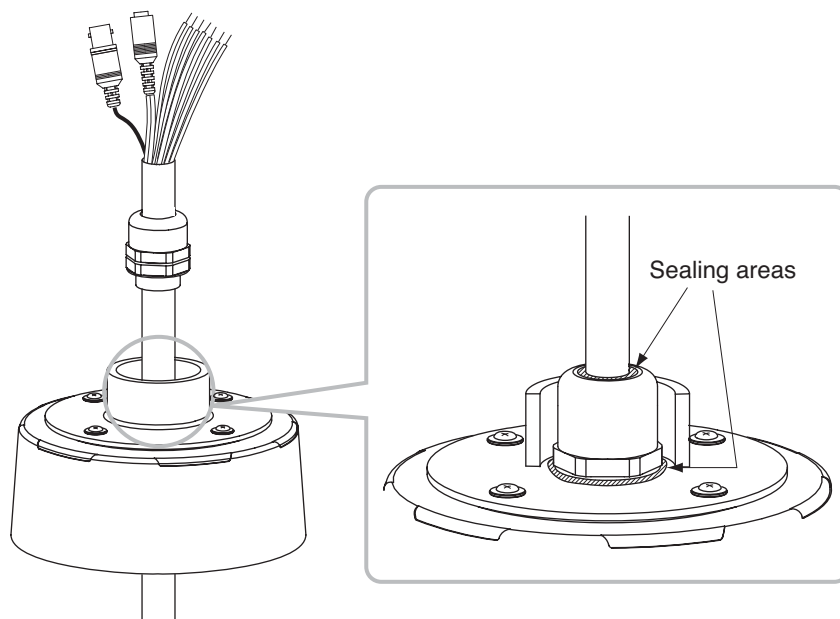
1. Run the composite cable supplied with the C-CC704 through the cable bushing supplied with the unit. Remove the connectors on the end of the composite cable before running the cable through the cable bushing.



2. Secure the Pendant adapter to the C-CC704's case.

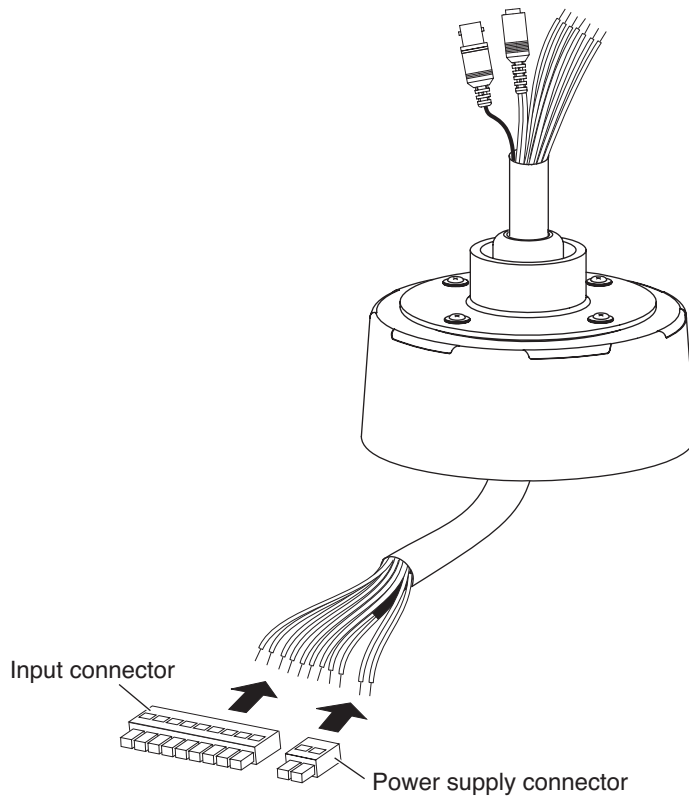


3. Secure the cable bushing into the upper side of the pendant adapter while running the free end of composite cable through the C-CC704's case from the upper pendant adapter. Waterproof the cable bushing mounting area and the cable outlet end with silicone sealant material.



4. Replace the connectors removed in Step 1 on the end of the composite cable.

Note: Pay attention to the correct cable connections. Incorrect wiring at the connectors may cause damage to the equipment.



Input/Output connector

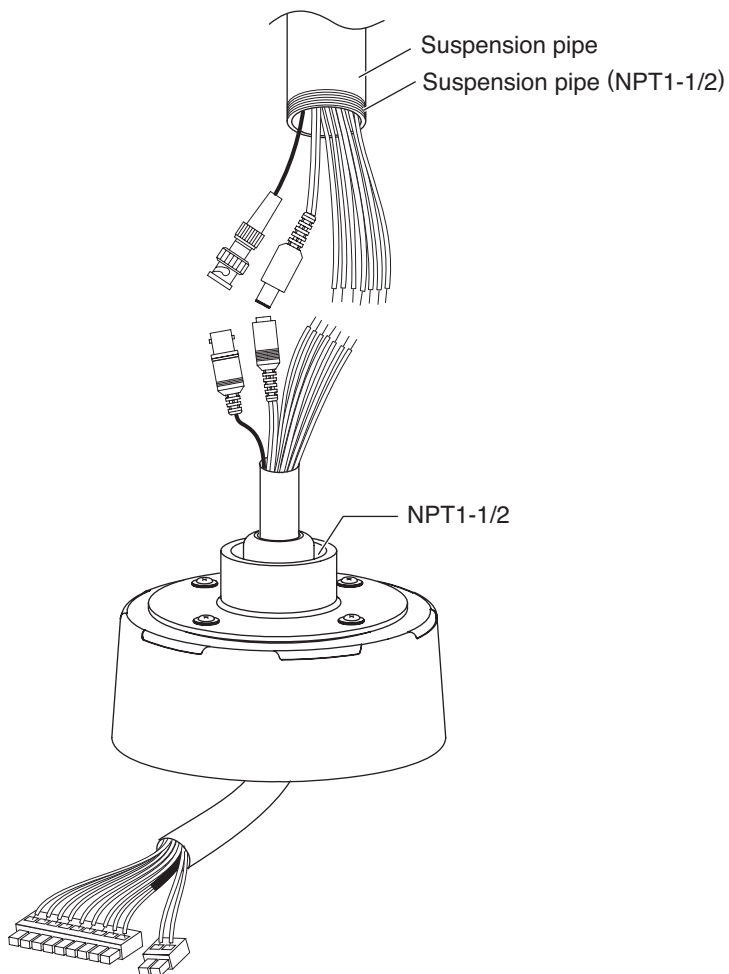
Terminal No.	Terminal name	Cable color	Terminal treatment
1	VIDEO	Yellow	BNC jack
2	GND	Shield	
3	RS485 +	Green	Bare end
4	RS485 -	Blue	Bare end
5	GND	White	Bare end
6	AL1	Brown	Bare end
7	AL2	Purple	Bare end
8	AL3	Orange	Bare end
9	AL4	Gray	Bare end

Power supply connector

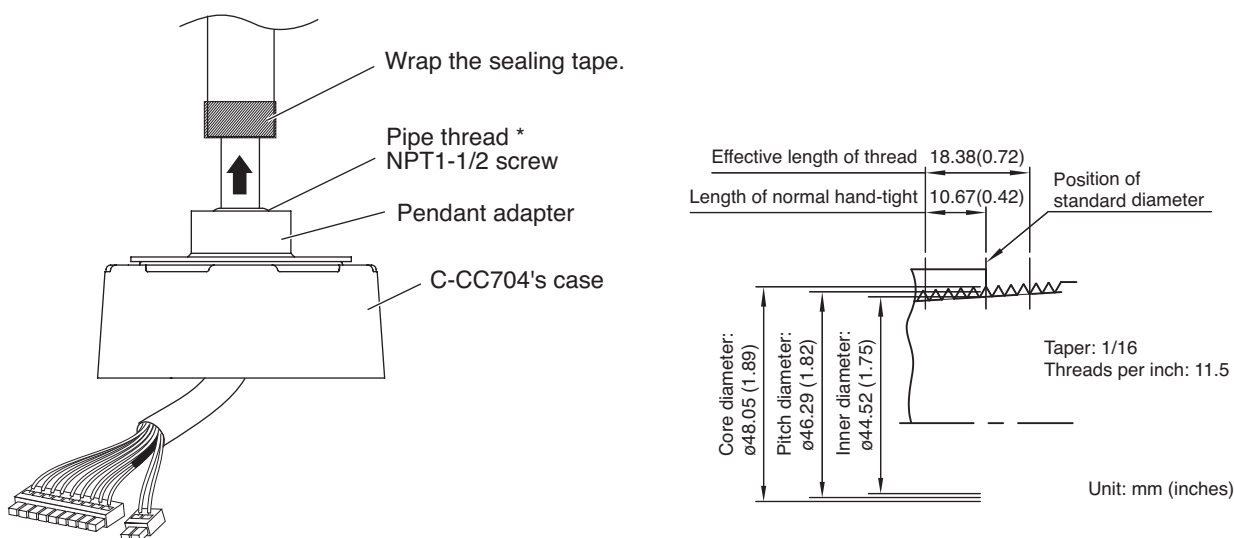
Terminal No.	Terminal name	Cable color	Terminal treatment
1	24V AC	Red	AC adapter jack
2	24V AC	Black	

5. After the suspension pipe (prepare separately) has been installed, pull out the cable from the lower end of the pipe, then connect it to the composite cable. The pipe thread is compatible with NPT1-1/2.

Note: Be sure to seal and insulate each connection of the cable with waterproof tape.



6. Waterproof the suspension pipe threads after wrapping the sealing tape (supplied with the C-CC704) around them. Then, screw the pendant adapter assembled with C-CC704's case into the pipe.



* The pipe thread is compatible with NPT1-1/2 as specified in ANSI/ASME B1.20.1 (The American Standard Taper Pipe Threads).

7. Install the camera unit and dome cover to the case.

For the procedures, refer to [p. 14](#) of the C-CC704's instruction manual.

5. SPECIFICATIONS

Finish	Stainless steel
Dimensions	ø120 x 31.5(H) mm (ø4.72" x 1.24" (H))
Weight	300 g (0.66 lb)

Note: The design and specifications are subject to change without notice for improvement.

• Accessories

Camera mounting screw	4
Waterproof washer	4
Cable bushing	1