

DESCRIPTION

The C-BC704PB is designed to suspend the optional C-CC704 Combination Camera from the ceiling in combination with the suspension pipe (required separately).

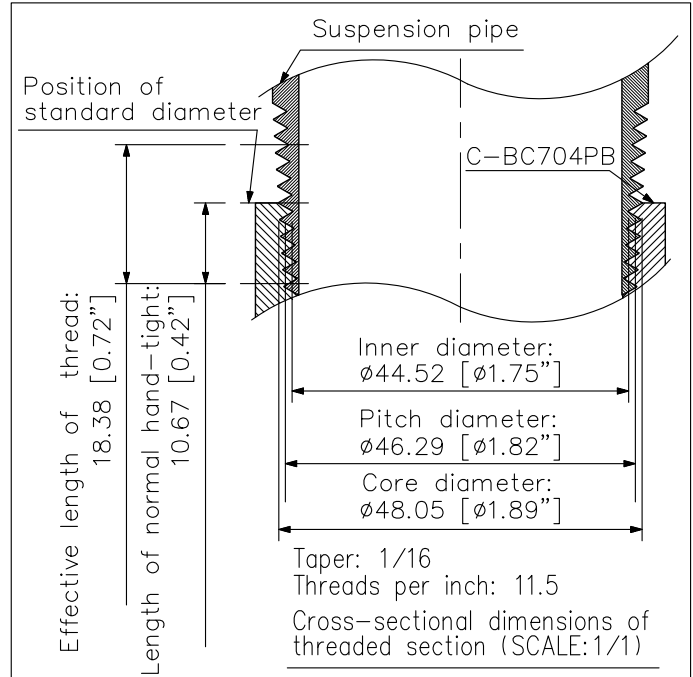
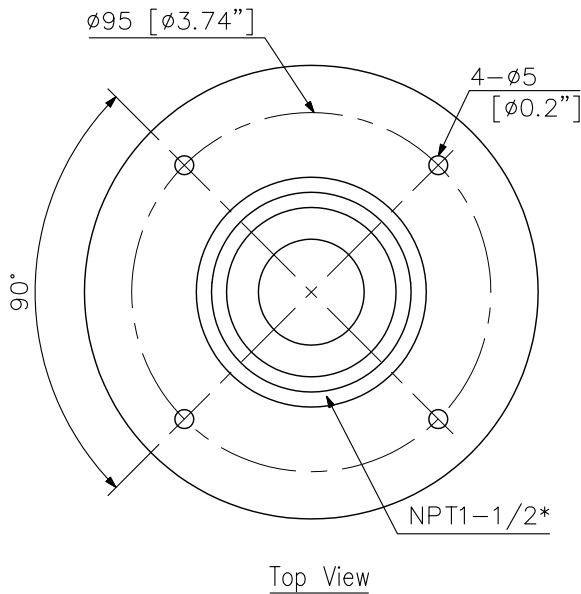
SPECIFICATIONS

Finish	Base, Pipe: Stainless steel
Dimensions	ø120 x 31.5 (H) mm (ø4.72" x 1.24")
Weight	300 g (0.66 lb)
Accessory	Camera mounting screw ...4, Waterproof washer ...4, Cable bushing ...1

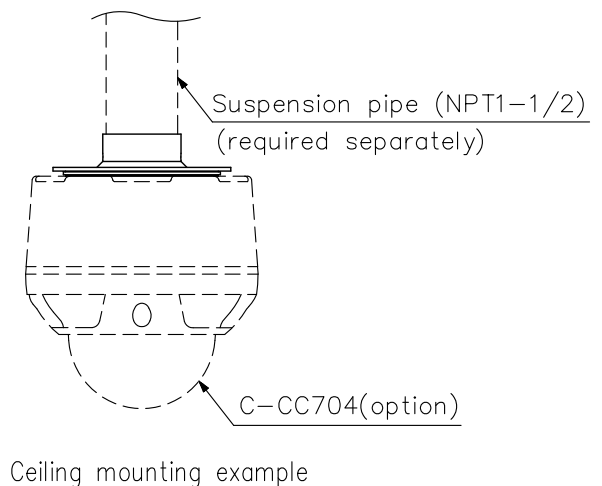
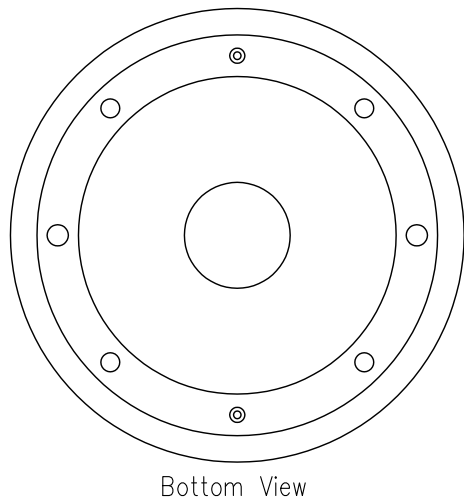
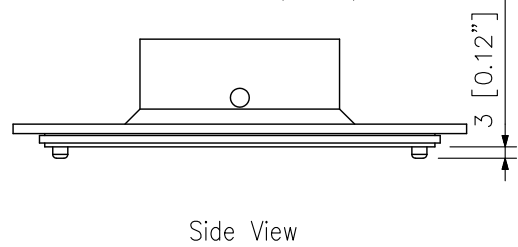
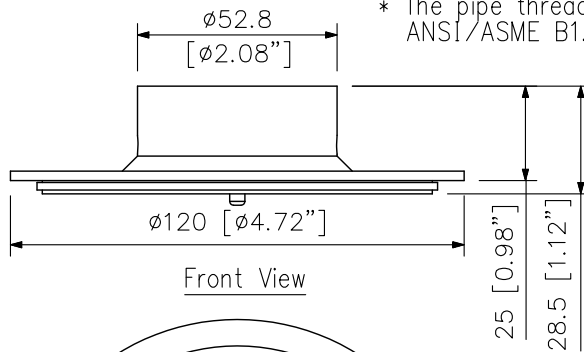
Note: Pay attention to the strength of the attaching portion.

Note: Prepare the suspension pipe separately.

APPEARANCE



* The pipe thread is compatible with NPT1-1/2 as specified in ANSI/ASME B1.20.1 (The American Standard Taper Pipe Threads).



UNIT:mm SCALE:1/2