



# CAMERA POLE MOUNTING BRACKET

C-BC771PM

## DESCRIPTION

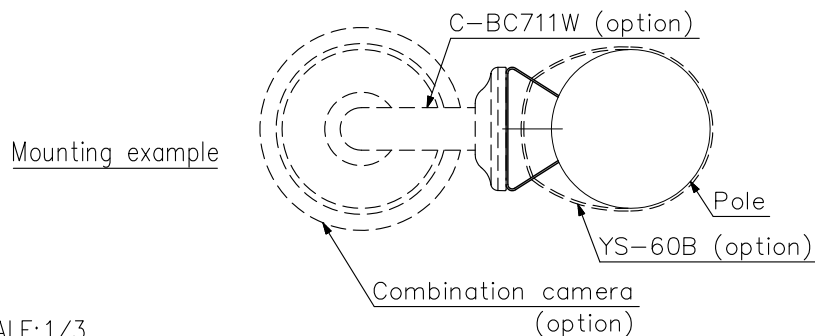
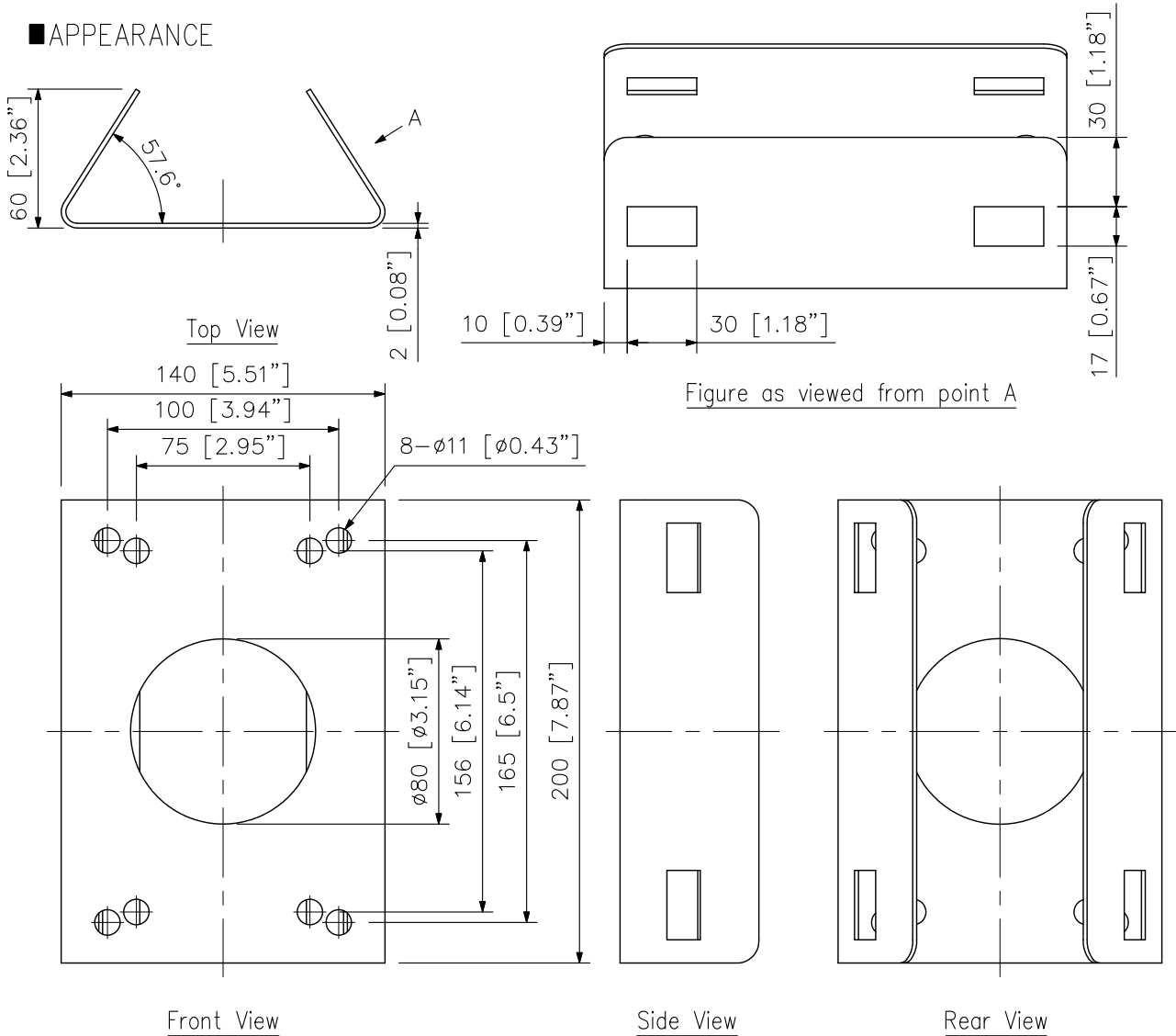
The C-BC771PM Camera Pole Mounting Bracket is designed to mount TOA Outdoor Combination Camera on a pole in conjunction with the C-BC711W Wall Mounting Bracket for the Outdoor Combination Camera and the YS-60B Mounting Band.

## SPECIFICATIONS

Finish	Stainless steel
Dimensions	140 (W) × 200 (H) × 60 (D) mm (5.51" × 7.87" × 2.36")
Weight	700 g (1.54 lb)

Note: Reinforce the pole mounting bracket and mounting band separately for security when installing the camera in locations exposed to vibration or strong winds. Maintenance the unit, mounting bracket and mounting band periodically to ensure that there are no loose joint nor rickety parts.

## APPEARANCE



UNIT:mm SCALE:1/3