



N-8000 IP Intercom Systems

Application Note

Using a Speaker and 25V Line-Matching Transformer as an N-8000 Sub-station

Summary

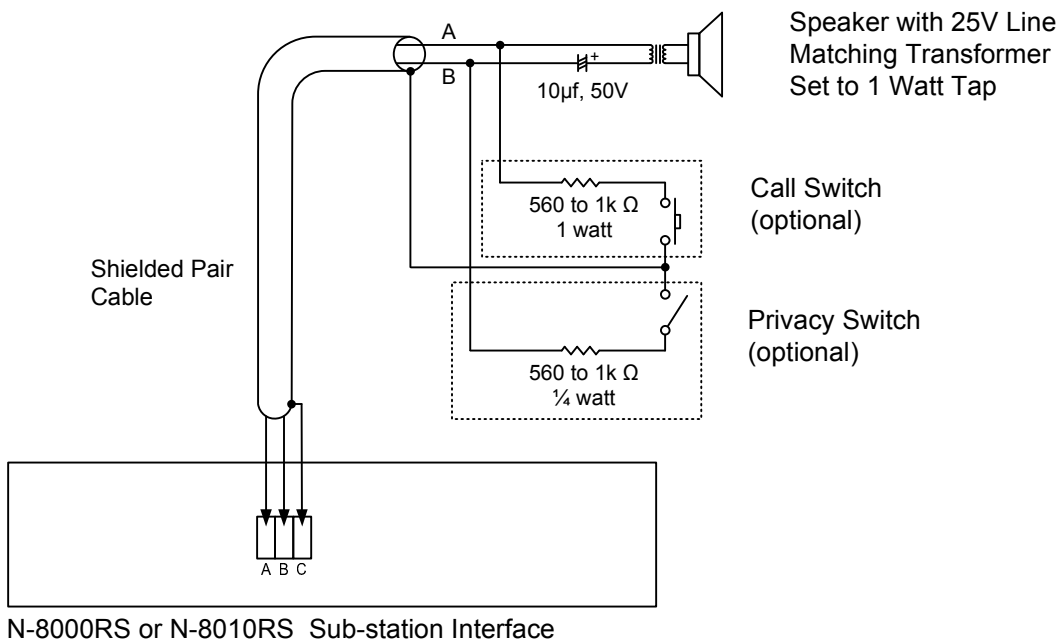
You can build a limited function N-8000 sub-station using simple, readily available components. This feature requires the N-8000RS or N-8010RS substation interface.

Details

The sub-station shown below supports half-duplex conversation, scan monitoring, and the reception of paging and time signals. Optional switches add call-in and privacy functions

For call or privacy LED indication, install an RS-140 Switch Panel. For private, handset conversations, install an RS-141 Handset Sub-Station with RS-140 Switch Panel.

Diagram





N-8000 IP Intercom Systems

Application Note

Connecting an External Amplifier to an N-8000RS or N-8010RS Sub-station Port

Summary

Connecting an external amplifier to an N-8000RS or N-8010RS sub-station port provides that amplifier with the audio distribution features of an N-8000 series sub-station.

Details

As shown in the diagram below, the combination of resistors and capacitors block the DC signaling of the N-8000RS or N-8010RS and pad the audio signal to line level, suitable for connection to a line-level input (transformer-isolated) of an amplifier such as the TOA 900 Series P-912MK2 with a "B" Series input module (ex. B-01S).

Note: This is for one-way communication only - the PA amplifier/speakers will not act as a microphone for talkback (also see the N-8000AF which offers a paging line output and eight control ports).

Diagram

