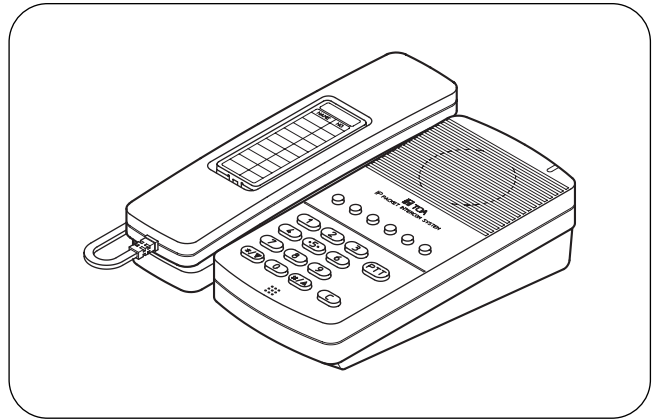


IP STANDARD MASTER STATION N-8510MS

Thank you for purchasing TOA's IP Standard Master Station.
Please carefully follow the instructions in this manual to ensure long, trouble-free use of your equipment.



1. SAFETY PRECAUTIONS

- Before installation or use, be sure to carefully read all the instructions in this section for correct and safe operation.
- Be sure to follow all the precautionary instructions in this section, which contain important warnings and/or cautions regarding safety.
- After reading, keep this manual handy for future reference.



CAUTION

Indicates a potentially hazardous situation which, if mishandled, could result in moderate or minor personal injury, and/or property damage.

When the Unit is in Use

- Use the dedicated AC adapter or its equivalent for the unit. Note that the use of other adapter may cause a fire.

2. GENERAL DESCRIPTION

The N-8510MS is an IP standard master station designed for use with TOA's packet intercom N-8000 system (IP network-compatible intercom system) that employs the packet audio technology*.

By directly connecting the N-8510MS to a network (LAN or WAN), high quality hands-free or handset conversations between IP stations, and paging broadcasts (paging calls) can be made. Once an emergency message has been programmed into the station, it can be broadcast to the pre-programmed zones with the key operation or external control input.

The ideal system for in-house or wide-area information transmission applications such as conversations between IP stations and N-8000 system's stations, paging broadcasts (paging calls), periodical broadcasts, and background music broadcasts can be built in conjunction with the N-8000EX or N-8010EX IP intercom exchange, or the N-8000MI Multi interface unit.

Using an optional YC-280 Wall mounting bracket, the station can be mounted on a wall, or tilted for easy key operation when used on a desktop.

* Technology related to audio transmission over a network.

Warning

This is a class A product. In a domestic environment this product may cause radio interference in which case the user may be required to take adequate measures.

3. FEATURES

- Clear conversations between stations over wide band.
- The system's echo cancellation* feature makes hands-free duplex conversation possible (conversations made without lifting a handset at both parties) between stations.
- Can be connected to an existing local area network (LAN) or wide-area network (WAN). The system can also be easily connected to fiber-optic networks without restrictions on operating distance.
- The dedicated N-8000 software program enables centralized control with a personal computer.
- System maintenance (verifying operation log and line supervision) can also be performed on a PC web browser.
- Connecting the station to a switching hub with PoE functionality eliminates the need for an AC adapter.

* A circuit that prevents acoustic feedback or echo generated when the voice output from the station's internal speaker enters the microphone.

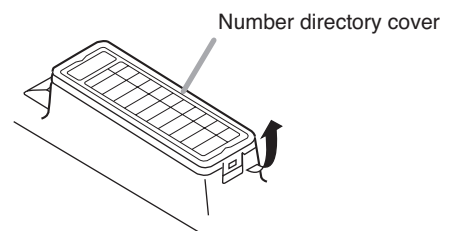
4. VERSION UPDATE INFORMATION

- Download our TOA Products Data, web site (<http://www.toa-products.com/international/>) to get the up-to-date version for N-8000 software, firmware, and Instruction manuals.
- The software version number can be confirmed using the Help menu.
- The current firmware version can be confirmed on the system management screen displayed when the browser establishes the connection to the station.
- The instruction manual version number can be confirmed by checking the preparation date (year and month) shown at the lower right corner of the last page.
(Example) Prepared in October 2009: 200910

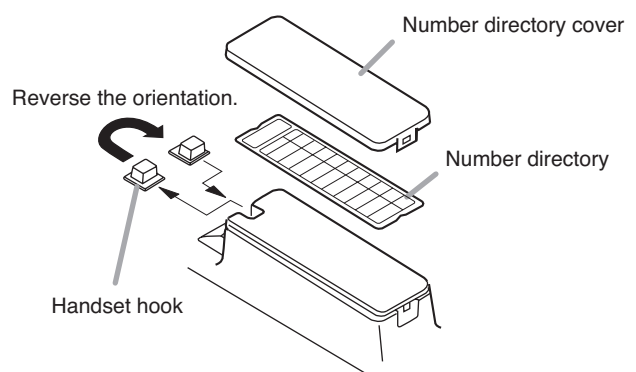
5. WHEN MOUNTING THE STATION ON A WALL

When mounting the station on a wall, the orientation of the handset hook needs to be changed.

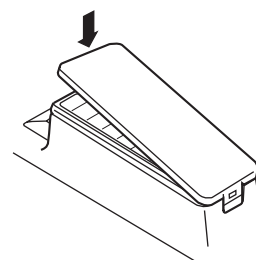
Step 1. Raise the number directory cover forward tab.



Step 2. Remove both the number directory cover and the directory. Remove the handset hook and reverse its orientation, then replace.



Step 3. After replacing the directory on the station, hook the directory cover's forward tab and push on the upper part of the directory cover.



6. WALL MOUNTING

The optional YC-280 Wall mounting bracket is required.
The YC-280 can be mounted to a one-gang electrical box.

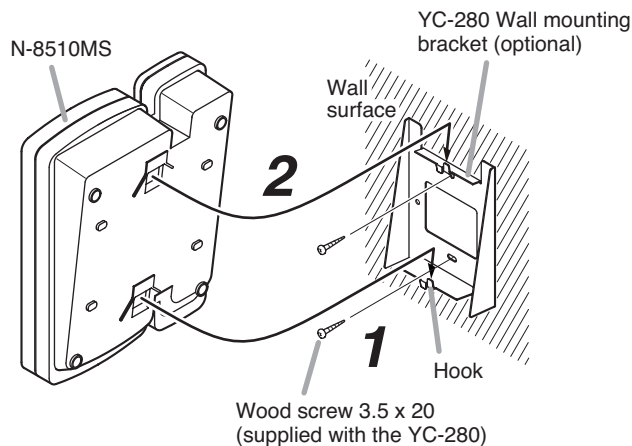
6.1. Mounting

Step 1. Install the YC-280 to the wall.

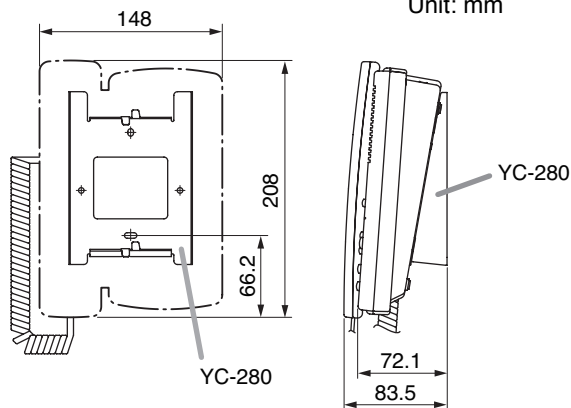
Notes

- Use the appropriate screws for the construction of wall.
- Wood screws 3.5 x 20 are supplied with the YC-280.
- No fitting screws for an electrical box are supplied.
Use commercially available screws.

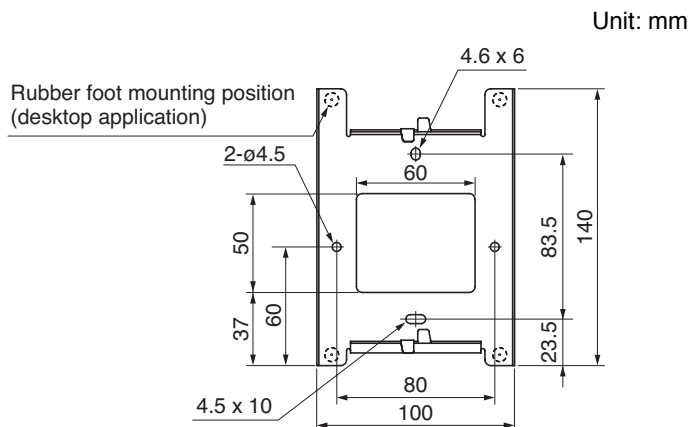
Step 2. Hang the station on the wall mounting bracket hook to install.
Push down the station body in the arrow direction shown at right.



6.2. Installation Completion Drawing



6.3. YC-280 Dimensional Drawing



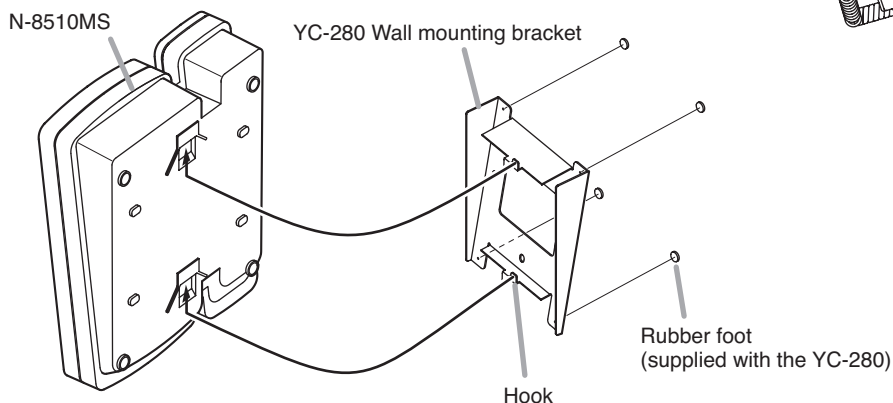
7. DESKTOP INSTALLATION

The station can be used on a desk. In desktop installations, the front operation panel can be inclined 16° from the desk surface for easier operation by attaching the YC-280 Wall mounting bracket to its bottom surface.

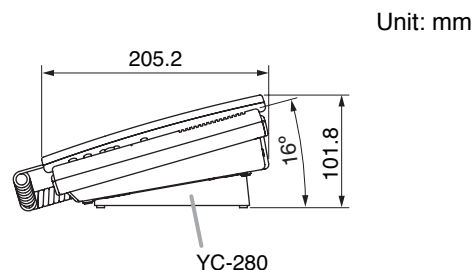
7.1. Attaching the Bracket

Step 1. Attach the four rubber feet to the YC-280's bottom surface.

Step 2. Hang the YC-280's hook on the station's wall bracket mounting slot to install.
Push up the YC-280 in the arrow direction shown below.



7.2. Installation Completion Drawing



8. WIRING

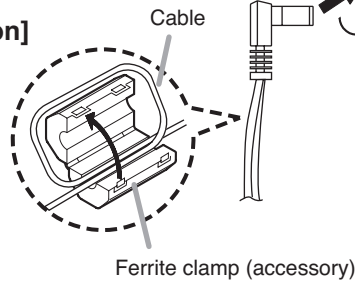
[Power supply connection]

The following 2 methods are available for supplying power to the station.

- From a DC 12 V AC adapter
- From an IEEE802.3af compliant PoE switching hub
(For connection, refer to the instruction manual supplied with the switching hub.)

[AC adapter connection]

Connect the AC adapter*1. Install the supplied ferrite clamp on the AC adapter cable by winding the cable around the ferrite clamp once.

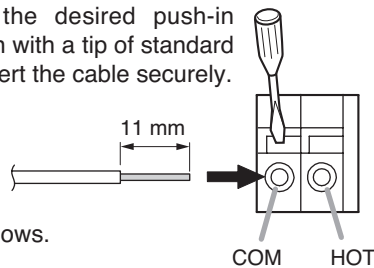


- *1 Use the AC adapter AD-1210P (optional) or its equivalent. As for the usable adapter, consult your TOA dealer.

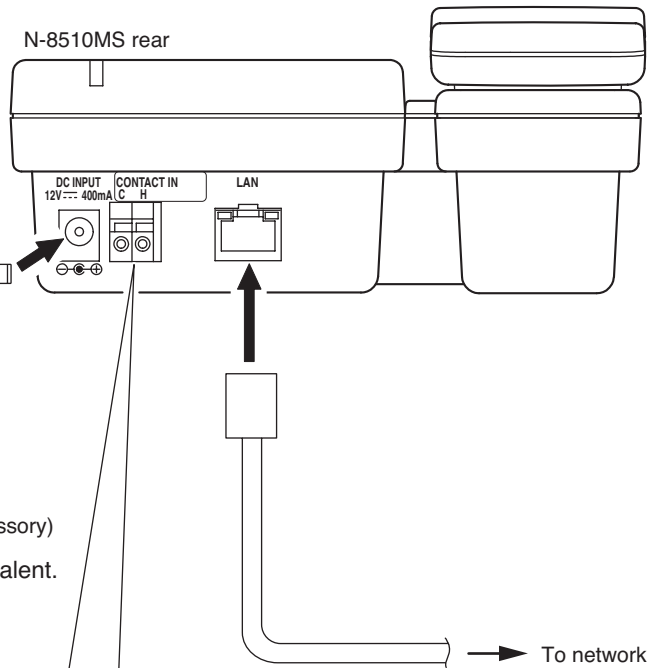
[Control line connection]

Connect the external control equipment such as a switch or sensor to this terminal.

Press down the desired push-in terminal button with a tip of standard driver, and insert the cable securely.



- Applicable cables are as follows.
Conductor diameter:
ø0.4 – 1.3 mm (AWG16 – 26), Solid wire
ø0.7 – 1.4 mm (AWG16 – 22), Stranded wire



[Network connection]

Can be connected to a network of 10BASE-T/100BASE-TX in auto-sensing. Use a UTP category 5 straight-through cable with an RJ-45 connector for this connection.

Note

When using a PoE hub, be sure to connect equipment having a protective earth terminal (or power cable with earth) and ground the earth terminal. Failure to do so may cause equipment malfunction.

9. ACCESSORIES

CD*2 1
Ferrite clamp 1

- *2 Contains the N-8000 setting software program and the N-8000 series instruction manual. The Setup Launcher is automatically started when the supplied CD-ROM is inserted into the PC's drive.

Note

If your PC's CD drive is not compatible with the AutoRun function, the setup guide is not automatically started even when the CD is inserted.

Use either "Explorer" or "My Computer" to execute the following files, or use [Start → Run] in the Task Bar and enter the following command.

<Drive where CD is placed> \index.html

For example, when the CD is placed in the "d" drive,
→ d:\index.html

10. OPTIONAL PRODUCTS

AC adapter: AD-1210P*3
Wall mounting bracket: YC-280

- *3 Consult your TOA dealer when using an equivalent adapter.

Traceability Information for Europe (EMC directive 2004/108/EC)

Manufacturer:
TOA Corporation
7-2-1, Minatojima Nakamachi, Chuo-ku, Kobe, Hyogo, Japan
Authorized representative:
TOA Electronics Europe GmbH
Suederstrasse 282, 20537 Hamburg, Germany