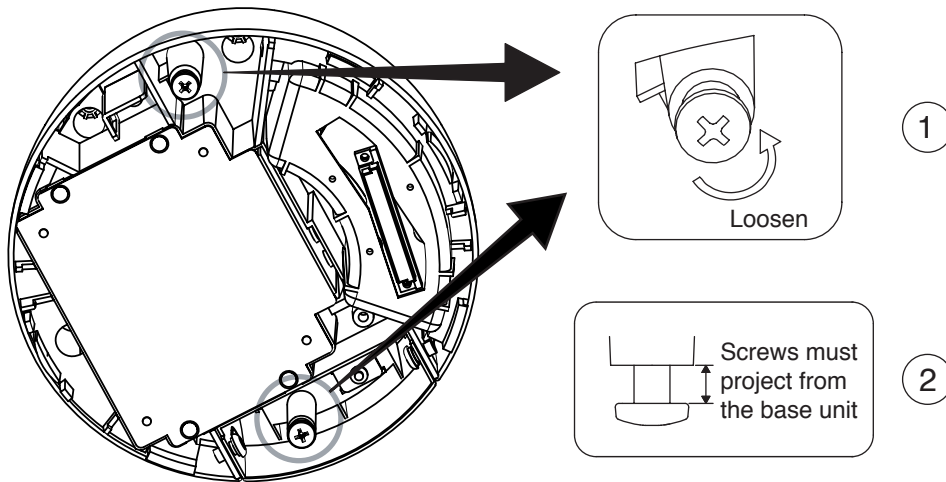


Cautions when attaching the camera unit

N-CC2564

• Adjusting the camera unit fixing screws



1. Before attaching the camera unit, loosen the camera unit fixing screws until they will no longer turn.
2. Ensure that camera unit fixing screws project from the base unit.

Note

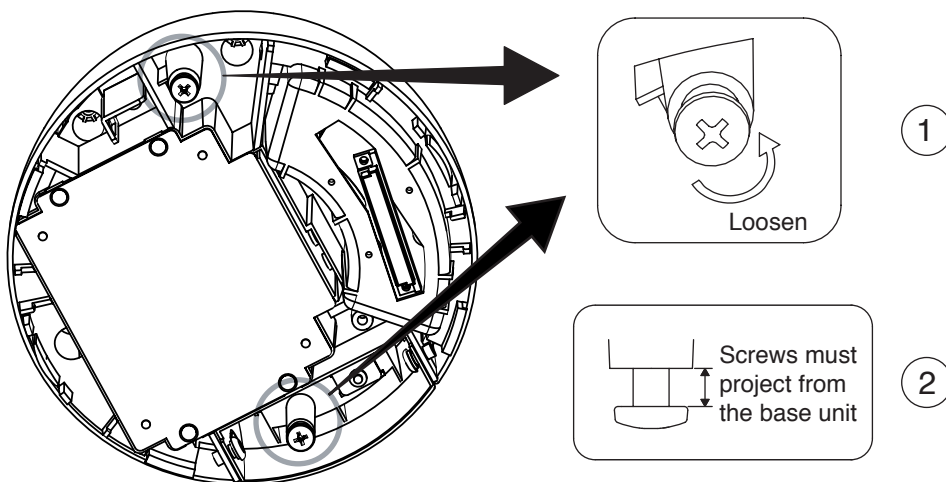
Attaching the camera unit when the camera unit fixing screws do not project from the base unit may result in the camera being damaged.

133-21-835-80

Cautions when attaching the camera unit

N-CC2564

• Adjusting the camera unit fixing screws



1. Before attaching the camera unit, loosen the camera unit fixing screws until they will no longer turn.
2. Ensure that camera unit fixing screws project from the base unit.

Note

Attaching the camera unit when the camera unit fixing screws do not project from the base unit may result in the camera being damaged.

133-21-835-80