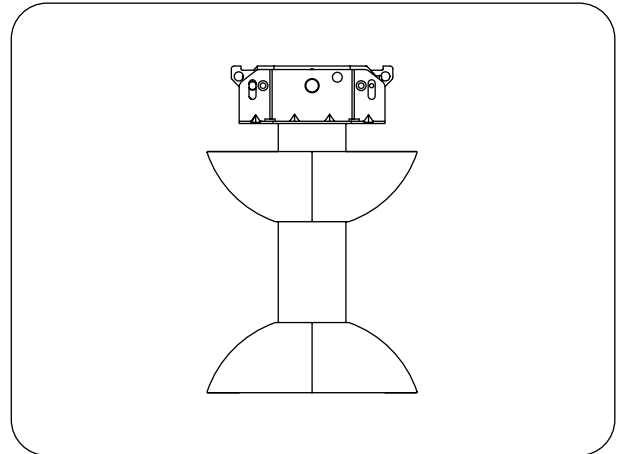


CEILING SUSPENSION BRACKET

C-BC511P

Thank you for purchasing TOA ceiling suspension bracket.
Please carefully follow the instructions in this manual to ensure long, trouble-free use of your equipment.



1. SAFETY PRECAUTIONS

- Before installation or use, be sure to carefully read all the instructions in this section for correct and safe operation.
- Be sure to follow all the precautionary instructions in this section, which contain important warnings and/ or cautions regarding safety.
- Keep this instructions handy for future reference.



WARNING

Indicates a potentially hazardous situation which, if mishandled, could result in death or serious personal injury.

- Install the unit only in a location that can structurally support the weight of the unit and the mounting bracket. Doing otherwise may result in the unit falling down and causing personal injury and/ or property damage.
- Do not use the bracket for mounting any camera other than the combination camera. Failure to follow this instruction could cause the camera to fall and result in personal injury.
- Ensure that all screws and fixing mechanism are securely tightened. If they are not tightened or firmly secured after installation, the unit could fall down, possibly resulting in personal injury.

When Installing the Unit

- Avoid installing the unit in unstable locations, such as on a rickety or slanted surface. Failure to do so may result in the unit falling and possibly causing personal injury.
- Only use the unit's dedicated mounting bracket. The use of mounting bracket not designated could result in the unit falling and possibly causing personal injury.
- Do not use any methods other than specified to mount the bracket. Extreme force is applied to the unit and the unit could fall off, possibly resulting in personal injuries.
- Attach the safety wire to the unit. If not attached, the unit could fall off, resulting in personal injury.
- Use nuts and bolts that are appropriate for the ceiling's or wall's structure and composition. Failure to do so may cause the unit to fall, resulting in material damage and possible personal injury.
- Tighten each nut and bolt securely. Ensure that the bracket has no loose joints after installation to prevent accidents that could result in personal injury.
- Avoid installing the unit in locations exposed to sea breeze or corrosive gas. Mounts may become corroded, eventually causing the unit to fall off, which could result in personal injury.
- Do not mount the unit in locations exposed to constant vibration. The mounting screws and/ or bolts may be loosened by excessive vibration, potentially causing the unit to fall, which could result in personal injury.

When the Unit is in Use

- Do not touch the unit during thunder and lightning, as this may result in electric shock.



CAUTION

Indicates a potentially hazardous situation which, if mishandled, could result in moderate or minor personal injury, and/or property damage.

When Installing the Unit

- Leave the installation of the unit to your TOA dealer because the installation requires expert experience and skills. Incorrect installation may cause an electric shock or personal injury.
- Avoid installing the unit in locations exposed to sea breeze or corrosive gas. The unit or its mounts may be subject to corrosion, which could cause the unit to fall, possibly resulting in personal injury.
- Avoid touching the unit's sharp metal edge to prevent injury.
- To avoid electric shock, be sure to switch off the power before power supply wiring work.

When the Unit is in Use

- Do not stand or sit on, nor hang down from the unit as this may cause it to fall down or drop, resulting in personal injury and/ or property damage.
- Be sure to inspect the unit periodically for safety use. Damage or corrosion of the mounting bracket may cause dropping of the unit, resulting in personal injury and/or property damage. Contact your TOA dealer as to the periodical inspection.

2. GENERAL DESCRIPTION

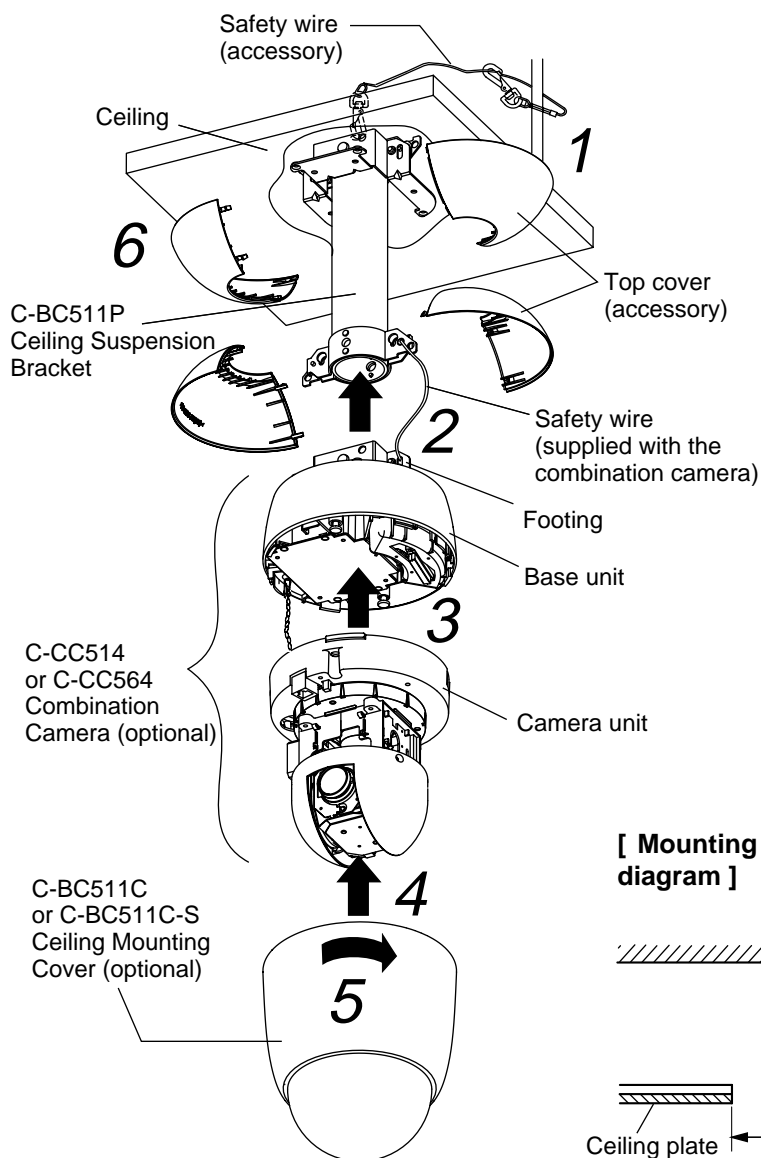
The suspension bracket is designed to be used for suspending the C-CC514 or C-CC564 Combination Camera from the ceiling. Using this bracket in conjunction with the C-BC511C or C-BC511C-S Ceiling Mounting Cover also permits the camera to be suspended from the ceiling.

3. HANDLING PRECAUTIONS

- Fix the camera to the bracket using the designated mounting screws, and ensure that they are securely mounted without any play.
- Do not install the unit in locations exposed to constant vibration. Since the unit is not designed for vehicle or ship use, do not install it in a vehicle or ship.
- To prevent the unit falls off, be sure to hang the safety wire first when installing the unit.
- The Combination Camera is solely designed for suspended installation. The dome of the mounting bracket must be mounted facing down and perpendicular to a horizontal ceiling surface. Take special care not to install the dome at a tilted angle.
- Do not give the unit a great shocks or vibration, as the unit may fall off and cause damage.

4. INSTALLATION

[Main body mounting view]



Be sure to carefully read the installation manual supplied with the camera.

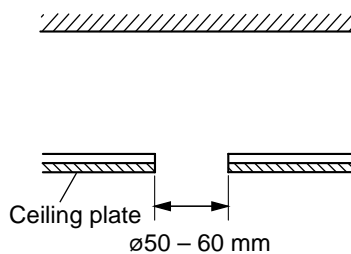
1. Mount the suspension pipe to the ceiling.
2. Attach the base unit equipped with footings to the suspension pipe.

Note

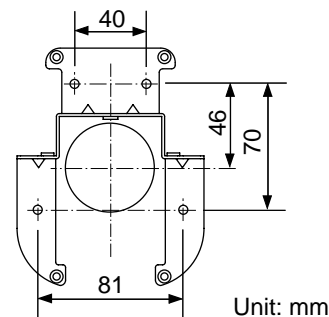
Use the camera mounting screws supplied with the combination camera when attaching the base unit.

3. Connect cables and attach the camera unit to the base unit.
4. Align the ceiling mounting cover's positioning mark with that on the base unit.
5. Rotate the ceiling mounting cover clockwise until it locks into place.
6. Attach the top covers to camera side and wall side as well.

[Mounting dimensional diagram]



[Ceiling mounting hole dimensional diagram]



5. SPECIFICATIONS

Finish	Pipe: Stainless-steel pipe Top cover: PC/ ABS resin, cool gray Metal part: Surface treated steel plate, black, paint
Dimensions	ø150 (W) X 233 (H) mm
Weight	1.2 kg
Applicable camera	C-CC514, C-CC564
Applicable cover	C-BC511C, C-BC511C-S

Note: The design and specifications are subject to change without notice for improvement.

• Accessories

Top cover	4
Safety wire	1
Pattern paper	1