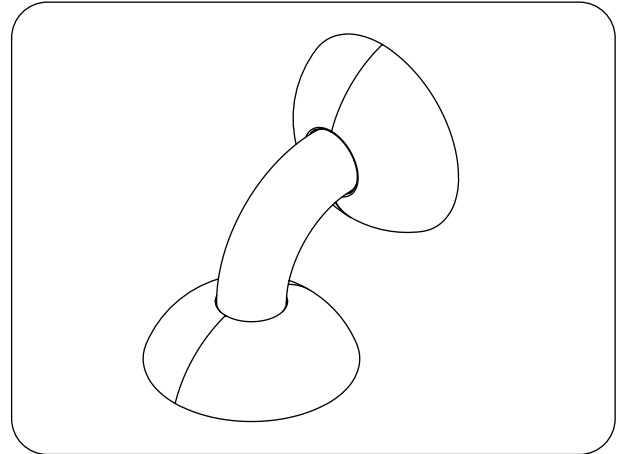


**WALL MOUNTING BRACKET****C-BC511W**

Thank you for purchasing TOA wall mounting bracket.  
Please carefully follow the instructions in this manual to ensure long, trouble-free use of your equipment.

**1.SAFETY PRECAUTIONS**

- Before installation or use, be sure to carefully read all the instructions in this section for correct and safe operation.
- Be sure to follow all the precautionary instructions in this section, which contain important warnings and/ or cautions regarding safety.
- Keep this instructions handy for future reference.

**WARNING**

Indicates a potentially hazardous situation which, if mishandled, could result in death or serious personal injury.

- Install the unit only in a location that can structurally support the weight of the unit and the mounting bracket. Doing otherwise may result in the unit falling down and causing personal injury and/ or property damage.
- Do not use the bracket for mounting any camera other than the combination camera. Failure to follow this instruction could cause the camera to fall and result in personal injury.
- Ensure that all screws and fixing mechanism are securely tightened. If they are not tightened or firmly secured after installation, the unit could fall down, possibly resulting in personal injury.

### **When Installing the Unit**

- Avoid installing the unit in unstable locations, such as on a rickety or slanted surface. Failure to do so may result in the unit falling and possibly causing personal injury.
- Only use the unit's dedicated mounting bracket. The use of mounting bracket not designated could result in the unit falling and possibly causing personal injury.
- Do not use any methods other than specified to mount the bracket. Extreme force is applied to the unit and the unit could fall off, possibly resulting in personal injuries.
- Attach the safety wire to the unit. If not attached, the unit could fall off, resulting in personal injury.
- Use nuts and bolts that are appropriate for the ceiling's or wall's structure and composition. Failure to do so may cause the unit to fall, resulting in material damage and possible personal injury.
- Tighten each nut and bolt securely. Ensure that the bracket has no loose joints after installation to prevent accidents that could result in personal injury.
- Avoid installing the unit in locations exposed to sea breeze or corrosive gas. Mounts may become corroded, eventually causing the unit to fall off, which could result in personal injury.
- Do not mount the unit in locations exposed to constant vibration. The mounting screws and/or bolts may be loosened by excessive vibration, potentially causing the unit to fall, which could result in personal injury.

### **When the Unit is in Use**

- Do not touch the unit during thunder and lightning, as this may result in electric shock.



## **CAUTION**

Indicates a potentially hazardous situation which, if mishandled, could result in moderate or minor personal injury, and/or property damage.

### **When Installing the Unit**

- Leave the installation of the unit to your TOA dealer because the installation requires expert experience and skills. Incorrect installation may cause an electric shock or personal injury.
- Avoid installing the unit in locations exposed to sea breeze or corrosive gas. Mounts may become corroded, eventually causing the unit to fall off, which could result in personal injury.
- Avoid touching the unit's sharp metal edge to prevent injury.
- To avoid electric shock, be sure to switch off the power before power supply wiring work.

### **When the Unit is in Use**

- Do not stand or sit on, nor hang down from the unit as this may cause it to fall down or drop, resulting in personal injury and/or property damage.
- Be sure to inspect the unit periodically for safety use. Damage or corrosion of the mounting bracket may cause dropping of the unit, resulting in personal injury and/or property damage. Contact your TOA dealer as to the periodical inspection.

## **2. GENERAL DESCRIPTION**

The wall mounting bracket is designed to be used exclusively for mounting TOA's C-CC514 or C-CC564 Combination Camera on a wall.

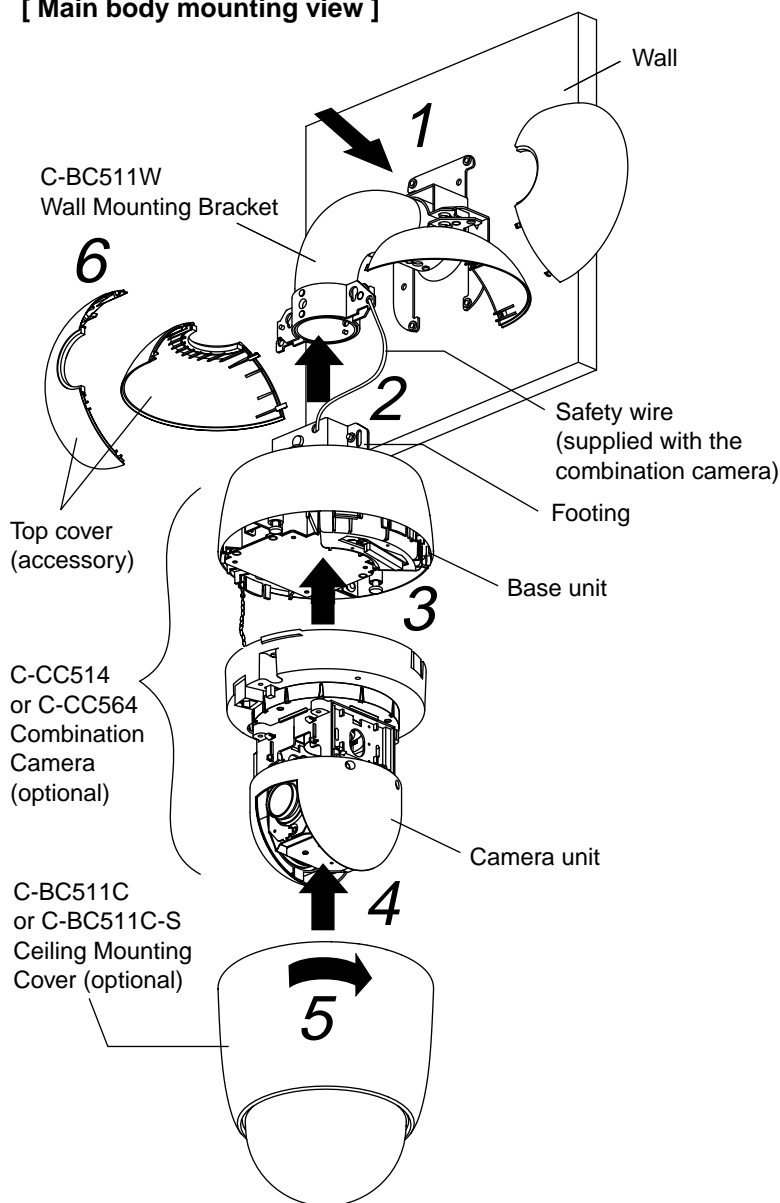
By using this bracket in conjunction with the C-BC511C or C-BC511C-S Ceiling Mounting Cover, cameras can be installed on a wall.

## **3. HANDLING PRECAUTIONS**

- Fix the camera to the bracket using the designated mounting screws and ensure that the camera does not rattle.
- Mount the bracket to a heavy-duty ceiling surface (such as concrete ceiling).
- Bolts and nuts used to install the unit on a wall are not supplied with the unit. Be sure to prepare bolts and nuts separately keeping the wall's structure and material, gross weight, etc in mind.
- Do not install the unit in locations exposed to constant vibration. The unit is not designed for vehicle or ship use. Do not install the unit in a vehicle or ship.
- To prevent the unit falls off, be sure to hang the safety wire first when installing the unit.
- The Combination Camera is solely designed for suspended installation. The dome of the mounting bracket must be mounted facing down and perpendicular to a horizontal ceiling surface. Take special care not to install the dome at a tilted angle.
- Do not give the unit a great shocks or vibration, as the unit may fall off and cause damage.

## 4. INSTALLATION

### [ Main body mounting view ]

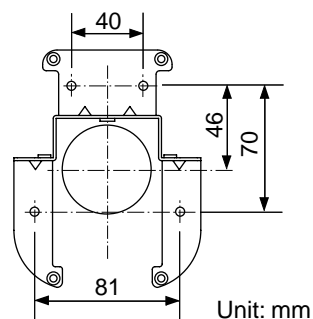


Be sure to carefully read the installation manual supplied with the camera.

1. Mount the wall mounting bracket on a wall.
  - Mounting anchor bolt (female screw) : M4
  - Cable entry hole :  $\varnothing 50 - 60$  mm
2. Attach the base unit equipped with footings to the wall mounting bracket.
 

**Note**  
To attach the base unit to the bracket, use the camera mounting screws supplied with the combination camera.
3. Connect the cables and attach the camera unit to the base unit.
4. Align the camera installation cover's positioning mark and that on the base unit and insert the cover to the base unit.
5. Rotate the camera installation cover clockwise until it locks into place.
6. Attach top covers to the camera side and wall side as well.

### [ Wall mounting bracket base dimensional diagram ]



## 5. SPECIFICATIONS

Finish	Pipe : stainless-steel pipe Top cover : PC/ ABS resin, cool gray Metal part : Surface treated steel plate, black, paint
Dimensions	150 (W) X 203 (H) X 203 (D) mm
Weight	1.1 kg
Applicable camera	C-CC514, C-CC564
Applicable cover	C-BC511C, C-BC511C-S

**Note:** The design and specifications are subject to change without notice for improvement.

### • Accessories

Top cover .....	4
Safety wire .....	1
Pattern paper .....	1