

DESCRIPTION

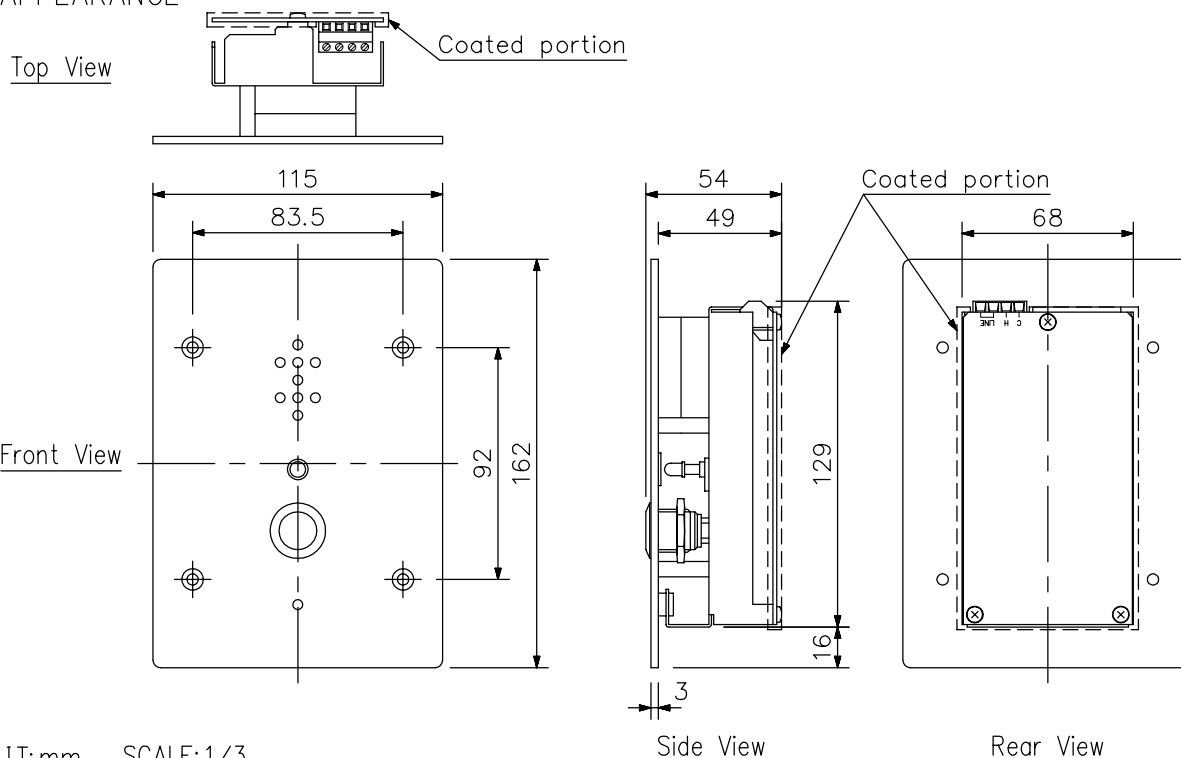
Designed to connect to the IP Intercom Exchange, the Q-N8050WP is a door station featuring high quality hands-free conversation. It has a contact output (momentarily closed) to remotely control an electronic door lock. It is in full conformity with IP54 water-proof and dust-proof standards. The operating temperature range is -10 to 50°C. As provided with guard nets inside to cover over the openings of microphone and speaker, the Q-N8050WP can be installed free from care in public space.

SPECIFICATIONS

\* 0 dB = 1 V

Power Source	48 V DC (supplied from the IP intercom exchange (option))
Power Consumption	1.8 W (at rated), 2.4 W (max.)
Wiring Method	Non-polar one pair stranded wire system
Transmission System	2 wire 160 kbps echo canceller transmission system
Signal Level	Under 0 dB*
Speech Method	Hands-free conversation
Audio Frequency Range	300 - 7,000 Hz
Transmission Range	Max. 1500 m (∅0.65 mm. Loop resistance 170 Ω)
Hands-free	Speaker: 3.5 cm cone-type, 1 W, 8 Ω Microphone: Omni-directional electret condenser microphone
Contact Output	Open collector output, withstand voltage: Max. 30 V DC, control current: Max. 50 mA, one shot: can be set from 1 to 9 s, screw terminal (polarized)
Line Connecting Terminal	2 wire, screw terminal (non-polar)
Setting Method	Flush-mount/Surface-mount
Operating Temperature	-10°C to +50°C
Operating Humidity	Under 90% RH (no condensation)
Housing Protection	BS EN62262: 2002: IK02 equivalent
Dust/Water Protection	IP54 (Note that panel edges must be sealed at installation.)
Resistance to Environment	Passed our gas corrosion test and neutral salt spray test
Finish	Plate: Stainless steel (SUS304), hairline Call button: Metal Circuit board: Silicone sealing agent-coated board
Dimensions	115 (W) x 162 (H) x 54 (D) mm
Weight	680 g
Accessory	Box mounting screw (No.6-32UNC x 18)---4, Box mounting screw (M4 x 25)---4
Applicable Box (option)	For flush mount: 3-gang electrical box or Back Box YC-150 For wall mount: Wall-mount Box YS-13A

APPEARANCE



UNIT: mm SCALE: 1/3

### DESCRIPTION

The Q-N8540WP is an IP door station employing packet audio technology. Connecting the Q-N8540WP to an IP network (LAN or WAN) permits hands-free conversation of high sound quality to be made between the Q-N8540WP and the intercom station connected to the IP Intercom Exchange, or between the Q-N8540WP and an IP multifunctional master station. Besides, the Q-N8540WP can be used in conjunction with the Multi Interface units through a network. It is in full conformity with IP54 water-proof and dust-proof standards. The operating temperature range is -10 to 50°C. As provided with guard nets inside to cover over the openings of microphone and speaker, the Q-N8540WP can be installed free from care in public space.

### SPECIFICATIONS

Power Source	Power supply device that complies with IEEE802.3af standard or 12 V DC (supplied from the AC adapter (option))
Power Consumption	4.2 W (at rated), 6 W (max.)
Speech Method	Hands-free conversation
Audio Frequency Range	300 - 7,000 Hz
Hands-free	Speaker: 3.5 cm cone-type, 1 W, 8 Ω Microphone: Omni-directional electret condenser microphone
Contact Output	Open collector output, withstand voltage: 30 V DC, control current: 50 mA one shot: can be set from 1 to 9 sec, screw terminal (polarized)
Network Section	
Network I/F	10BASE-T/100BASE-TX (Auto-Negotiation)
Network Protocol	TCP/IP, UDP, ARP, ICMP, HTTP, RTP, IGMP
Audio Packet	Unicast, Multicast
Connector	RJ45 connector (PoE compatible)
Voice Sampling Frequency	16 kHz, 8 kHz (controllable on the software)
Quantifying Bit Number	16-bit
Voice Encoding Method	Sub-band ADPCM, Cryptosystem
Voice Packet Loss Recovery	Silence insertion
Audio Delay Time	80 ms, 320 ms (controllable on the software)
Installation Method	
Installation Method	Flush-mount/Surface-mount
Operating Temperature	-10°C to +50°C
Operating Humidity	Under 90% RH (no condensation)
Housing Protection	BS EN62262: 2002: IK02 equivalent
Dust/Water Protection	IP54 (Note that panel edges must be sealed at installation.)
Resistance to Environment	Passed our gas corrosion test and neutral salt spray test
Finish	Plate: Stainless steel (SUS304), hairline, Call button: Metal, Circuit board: Silicone sealing agent-coated board
Dimensions	115 (W) × 162 (H) × 55.1 (D) mm
Weight	700 g
Accessory	Box mounting screw (No.6-32UNC × 18) ---4, Box mounting screw (M4 × 25) ---4, Ferrite clamp ---1,
Option	AC adapter: AD-1210P
Applicable Box (option)	For wall mount: Wall-mount Box YS-13A For flush mount: 3-gang electrical box or Back Box YC-150

### APPEARANCE

