

■DESCRIPTION

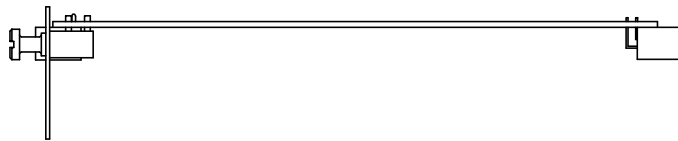
The D-971E is a 4-channel line output module designed for use with the D-901 Digital Mixer, etc. It is equipped with removable terminal block type connectors.

■SPECIFICATIONS

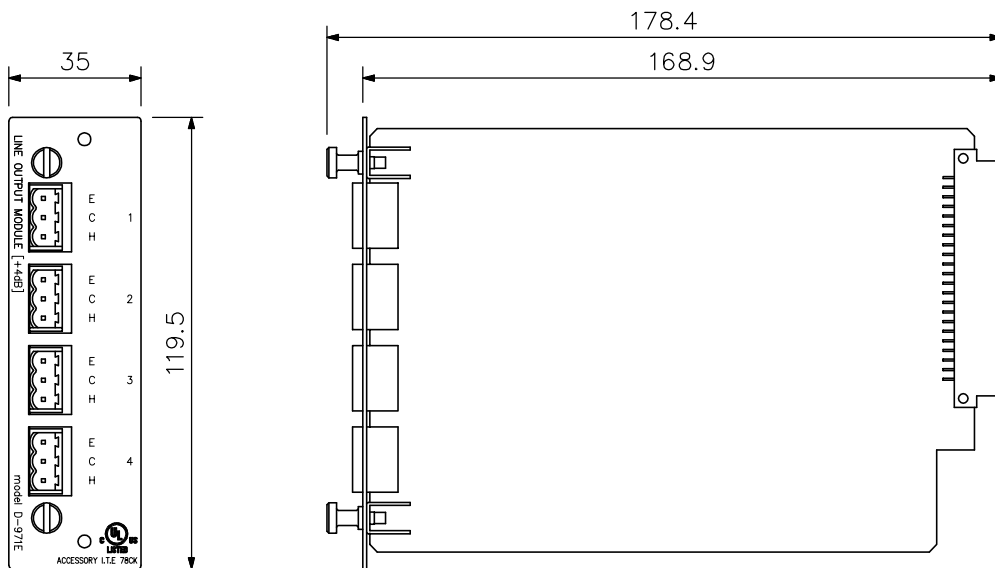
* 0 dB = 0.775 V

Output	4 channels, +4 dB*, adaptable load of over 600 Ω, electronically-balanced, removable terminal block (3 pins)
D/A Converter	24 bits
Sampling Frequency	48 kHz
Frequency Response	20 - 20,000 Hz, ±1 dB
Dynamic Range	Over 100 dB (IHF-A weighted)
Total Harmonic Distortion	Under 0.05%
Finish	Panel: Pre-coated steel plate, black, 30% gloss
Dimensions	35 (W) × 119.5 (H) × 178.4 (D) mm
Weight	140 g
Accessory	Removable terminal plug (3 pins, preinstalled on the unit) ...4

■APPEARANCE



Top View



Front View

Side View

UNIT:mm SCALE:1/2