

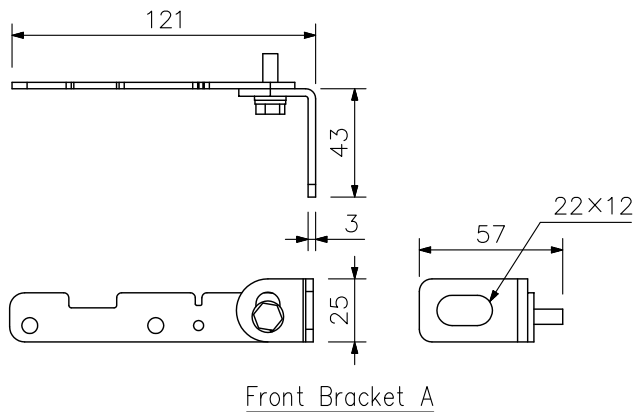
DESCRIPTION

The HY-WM2WP is used exclusively to mount the HX-5 series speaker system closely to a wall or ceiling. The bracket helps to achieve clearer sound reproduction by minimizing phase interference generated by sound waves reflecting from walls or ceilings. This bracket is designed for outdoor use.

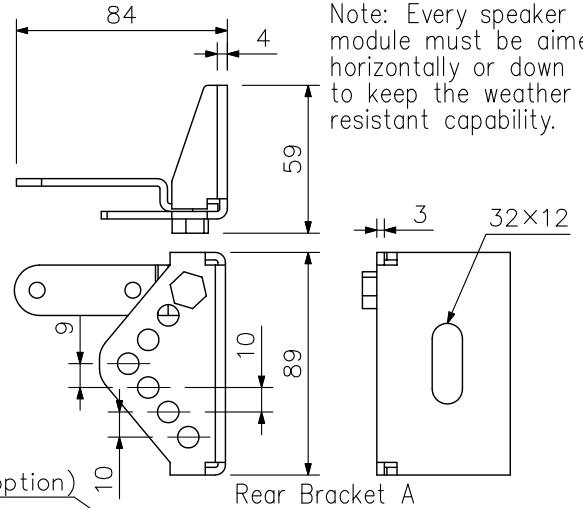
SPECIFICATIONS

Finish	Stainless steel (SUS304)
Weight	600 g
Accessory	Rear bracket mounting bolt (M8) with washer ...4
Product Composition	Front bracket A, B * ...1 each, Rear bracket A, B * ...1 each * Brackets A and B are symmetrical to each other.

APPEARANCE



Front Bracket A



Rear Bracket A

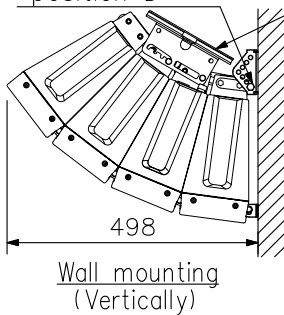
Note: Every speaker module must be aimed horizontally or down to keep the weather resistant capability.

The bolts are arranged to the position D

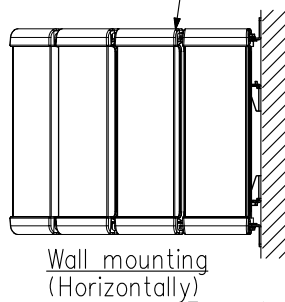
HX-5 series (option)

The bolts are arranged to the position D

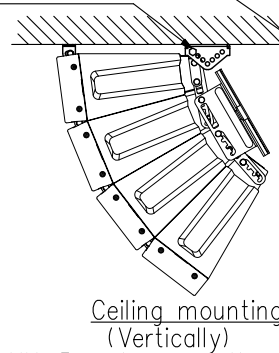
The bolts are arranged to the position A



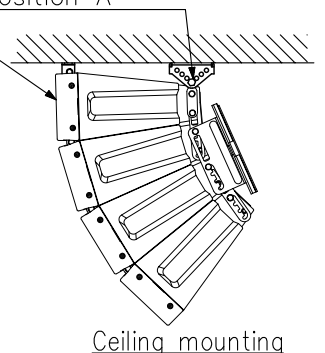
Wall mounting (Vertically)



Wall mounting (Horizontally)



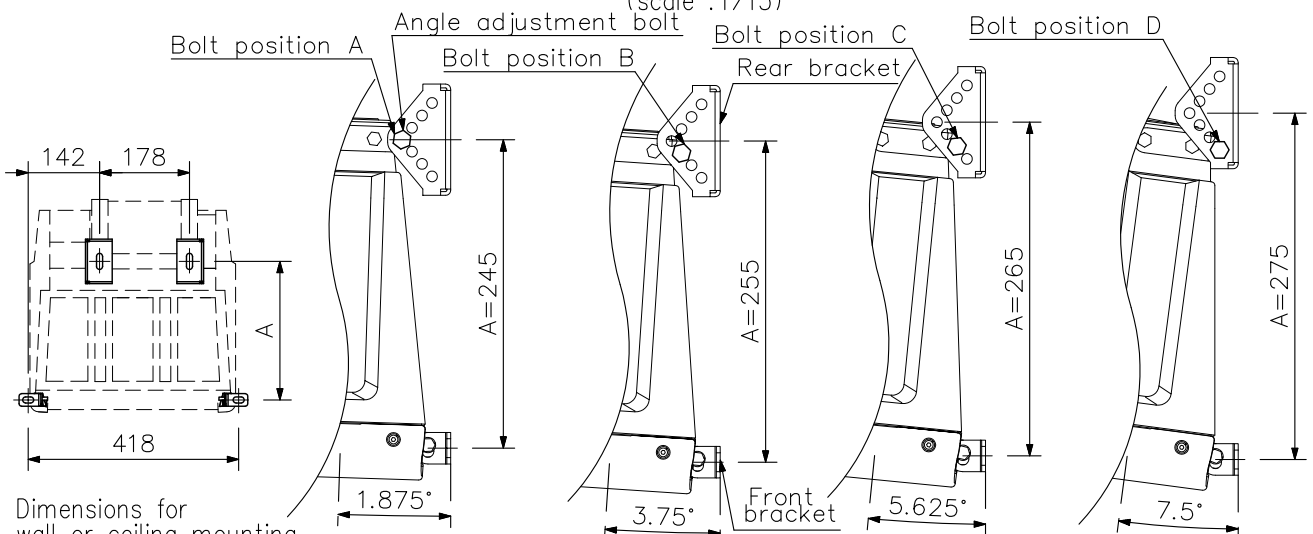
Ceiling mounting (Vertically)



Ceiling mounting (Vertically)

Example for HX-5 series mounting

(scale :1/15)



Dimensions for wall or ceiling mounting (scale :1/15)

Note: The mounting dimensions on the wall or ceiling is changed depending on the position A to D of the bolts on the rear brackets.

UNIT:mm SCALE:1/3

Dimensions for wall or ceiling mounting (scale :1/6)