

DESCRIPTION

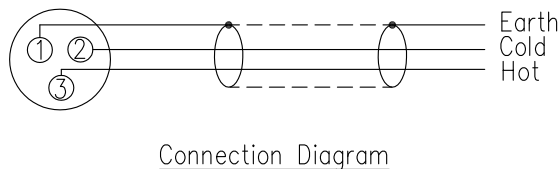
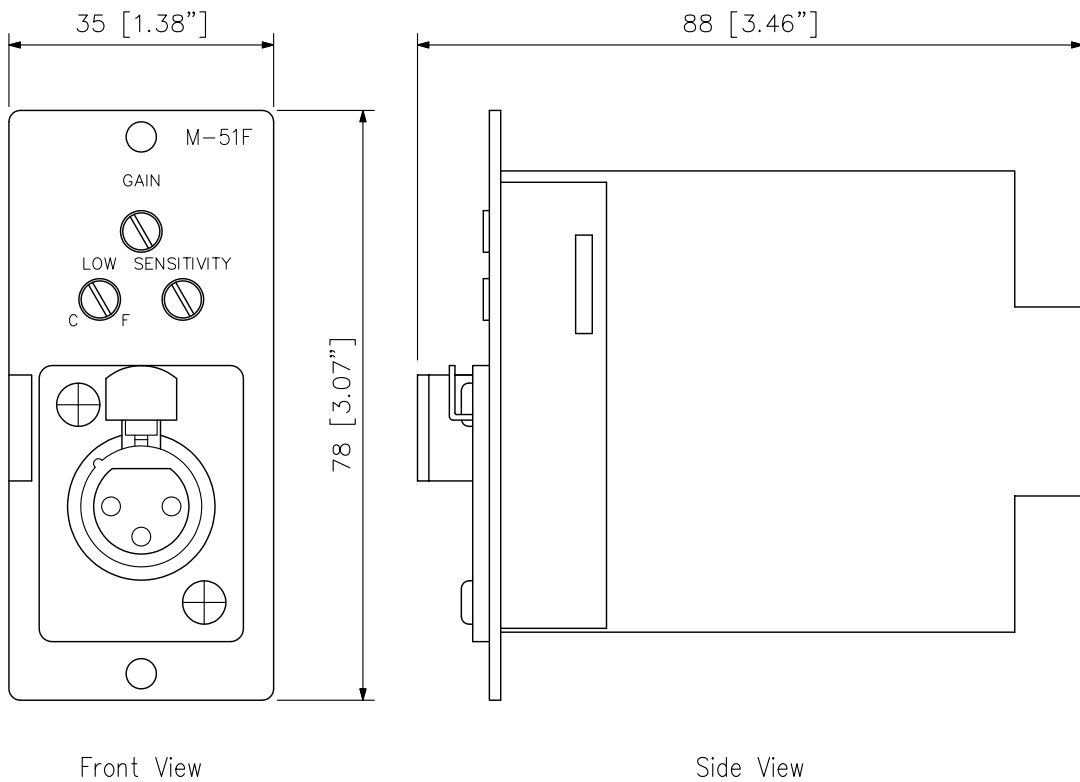
The M-51F is a microphone input module to be used in conjunction with the 900 series components and other TOA's equipment. It has a transformer balanced microphone input with female XLR type connector, phantom power supply function, voice-gate function, and gain and tone controls.

SPECIFICATIONS

\* 0 dB=1 V

Power Source	24 V DC (supplied from the main frame)
Current Consumption	27 mA
Input Sensitivity	-60 dB* (rated output: -20 dB*), adjustable: -72 to -52 dB*
Input Impedance	600 Ω, balanced transformer-isolated
Distortion	0.05 % or less (1 kHz, output: 0 dB*)
Noise Level	-86 dB* (20 Hz - 20 kHz BPF), input equivalent noise: -126 dB*
Gain	32 - 52 dB
Phantom Power	+22 V DC (for condenser-type)
Tone Control	100 Hz: 0 to -10 dB
Signal Muting Level	40 dB (at 1 kHz)
Connector	Female XLR connector (XLR-3-31 equivalent)
Dimensions	35 (W) x 78 (H) x 88 (D) mm (1.38" x 3.07" x 3.46")
Weight	Max. 110 g (0.24 lb)

APPEARANCE



UNIT:mm SCALE:1/1