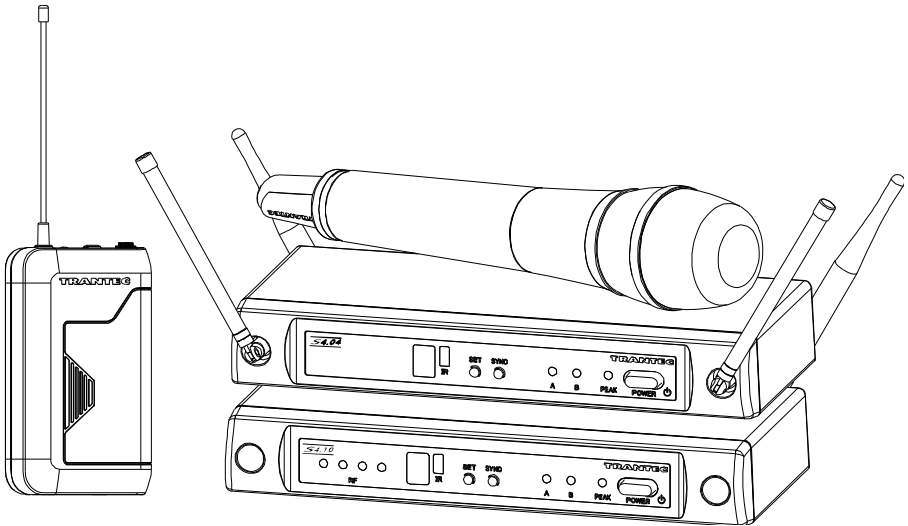


OPERATING INSTRUCTIONS

WIRELESS MICROPHONE SYSTEM S4.04 / S4.10 series



CONTENTS

- | | |
|--|-----------------------|
| 1. SAFETY PRECAUTIONS | 8. CHANNEL SCAN |
| 2. GENERAL DESCRIPTION | 9. BATTERY ALARM |
| 3. FEATURES | 10. OPERATIONAL HINTS |
| 4. HANDLING PRECAUTIONS | 11. TROUBLESHOOTING |
| 5. NOMENCLATURE AND FUNCTIONS | 12. SPECIFICATIONS |
| 6. CHANNEL NUMBER SETTING by MANUAL | |
| 7. CHANNEL NUMBER SETTING by
INFRARED SYNCHRONIZATION | |

Thank you for purchasing TOA's TRANTEC S4 series Wireless Microphone system.
Please carefully follow the instructions in this manual to ensure long, trouble-free use of your equipment.

1. SAFETY PRECAUTIONS

- Be sure to read the instructions in this section carefully before use.
- Make sure to observe the instructions in this manual as the conventions of safety symbols and messages regarded as very important precautions are included.
- We also recommend you keep this instruction manual handy for future reference.

Safety Symbol and Message Conventions

Safety symbols and messages described below are used in this manual to prevent bodily injury and property damage which could result from mishandling. Before operating your product, read this manual first and understand the safety symbols and messages so you are thoroughly aware of the potential safety hazards.



WARNING

Indicates a potentially hazardous situation which, if mishandled, could result in death or serious personal injury.

When Installing the Receiver

- Do not expose the unit to rain or an environment where it may be splashed by water or other liquids, as doing so may result in fire or electric shock.
- Use the unit only with the voltage specified on the unit. Using a voltage higher than that which is specified may result in fire or electric shock.
- Do not cut, kink, otherwise damage nor modify the power supply cord. In addition, avoid using the power cord in close proximity to heaters, and never place heavy objects -- including the unit itself -- on the power cord, as doing so may result in fire or electric shock.
- Avoid installing or mounting the unit in unstable locations, such as on a rickety table or a slanted surface. Doing so may result in the unit falling down and causing personal injury and/or property damage.
- To prevent lightning strikes, install the unit at least five meters away from a lightning rod, and yet within the protective range (angle of 45°) of the lightning conductor. Lightning strikes may cause a fire, electric shock or personal injury.
- Since the unit is designed for in-door use, do not install it outdoors. If installed outdoors, the aging of parts causes the unit to fall off, resulting in personal injury. Also, when it gets wet with rain, there is a danger of electric shock.

When the Receiver is in Use

- Should the following irregularity be found during use, immediately switch off the power, disconnect the power supply plug from the AC outlet and contact your nearest TOA dealer. Make no further attempt to operate the unit in this condition as this may cause fire or electric shock.
 - If you detect smoke or a strange smell coming from the unit.
 - If water or any metallic object gets into the unit
 - If the unit falls, or the unit case breaks
 - If the power supply cord is damaged (exposure of the core, disconnection, etc.)
 - If it is malfunctioning (no tone sounds.)
- Do not place cups, bowls, or other containers of liquid or metallic objects on top of the unit. If they accidentally spill into the unit, this may cause a fire or electric shock.
- Do not touch the unit's antennas during thunder and lightning, as this may result in electric shock.

When the Microphone or the Transmitter is in Use

- To prevent the electromagnetic wave from badly influencing medical equipment, make sure to switch off the unit's power when placing it in close proximity to the medical equipment.



CAUTION

Indicates a potentially hazardous situation which, if mishandled, could result in moderate or minor personal injury, and/or property damage.

When Installing the Receiver

- Never plug in nor remove the power supply plug with wet hands, as doing so may cause electric shock.
- When unplugging the power supply cord, be sure to grasp the power supply plug; never pull on the cord itself. Operating the unit with a damaged power supply cord may cause a fire or electric shock.
- When moving the unit, be sure to remove its power supply cord from the wall outlet. Moving the unit with the power cord connected to the outlet may cause damage to the power cord, resulting in fire or electric shock. When removing the power cord, be sure to hold its plug to pull.
- The socket outlet shall be installed near the equipment and shall be easily accessible.
- Avoid installing the unit in humid or dusty locations, in locations exposed to the direct sunlight, near the heaters, or in locations generating sooty smoke or steam as doing otherwise may result in fire or electric shock.

When the Receiver is in Use

- Do not place heavy objects on the unit as this may cause it to fall or break which may result in personal injury and/or property damage. In addition, the object itself may fall off and cause injury and/or damage.
- Make sure that the volume control is set to minimum position before power is switched on. Loud noise produced at high volume when power is switched on can impair hearing.
- Never open the unit case as there are high temperature parts inside the unit, which may cause a burn if touched. Refer all servicing to your nearest TOA dealer.
- Use the dedicated AC adapter for the unit. Note that the use of other adapter may cause a fire.
- If dust accumulates on the power supply plug or in the wall AC outlet, a fire may result. Clean it periodically. In addition, insert the plug in the wall outlet securely.
- Switch off the power, and unplug the power supply plug from the AC outlet for safety purposes when cleaning or leaving the unit unused for 10 days or more. A fire or electric shock may result.
- Any modifications made to this device that are not approved by TOA Corporation may void the authority granted to the user to operate this equipment.
- Operation of this device is subject to the following two conditions: (1) this device may not cause interference, and (2) this device must accept any interference, including interference that may cause undesired operation of the device.

When the Microphone or the Transmitter is in Use

- When the unit is not in use for 10 days or more, be sure to take the battery out of the unit because battery leakage may cause personal injury or contamination of environment.
- Make sure to observe the following handling precautions so that a fire or personal injury does not result from leakage or explosion of the battery.
 - Do not short, disassemble heat nor put the battery into a fire.
 - Do not solder a battery directly.
 - Be sure to use the specified type of battery.
 - Note correct polarity (positive and negative orientation) when inserting a battery in the unit.
 - Avoid locations exposed to the direct sunlight, high temperature and high humidity when storing batteries.
- When the battery becomes inflated or leaks, discontinue use and replace with new one immediately.

CAUTION TO USER: Changes or modifications not expressly approved by the party responsible for compliance could void the user's authority to operate the equipment.

IMPORTANT NOTE: To comply with the FCC RF exposure compliance requirements, no change to the antenna or the device is permitted. Any change to the antenna or the device could result in the device exceeding the RF exposure requirements and void user's authority to operate the device.

IMPORTANT NOTE:

This device complies with Industry Canada's licence-exempt RSSs. Operation is subject to the following two conditions:

(1) This device may not cause interference; and (2) this device must accept any interference, including interference that may cause undesired operation of the device.

Le présent appareil est conforme aux CNR d'Industrie Canada applicables aux appareils radio exempts de licence. L'exploitation est autorisée aux deux conditions suivantes : (1) l'appareil ne doit pas produire de brouillage, et (2) l'utilisateur de l'appareil doit accepter tout brouillage radioélectrique subi, même si le brouillage est susceptible d'en compromettre le fonctionnement.

2. GENERAL DESCRIPTION

The TOA's TRANTEC S4 series Wireless Microphone system is designed for use on the UHF frequency band, and suitable for vocal or speech reinforcement applications. It features a compander circuit which minimizes the influence of ambient noise.

S4.04 : 4 User selectable channels that can be operated simultaneously.

S4.10 : Up to 16 User selectable channels that can be operated simultaneously. (depending on region)

S4 series HDX Wireless handheld Microphone is a vocal microphone, employing a fine, powerful dynamic microphone unit.

S4 series BTX Wireless belt-pack transmitter can use TRANTEC series lavalier microphones and headset microphones.

S4 series RX Wireless receiver is a diversity receiver to minimize drop-outs.

3. FEATURES

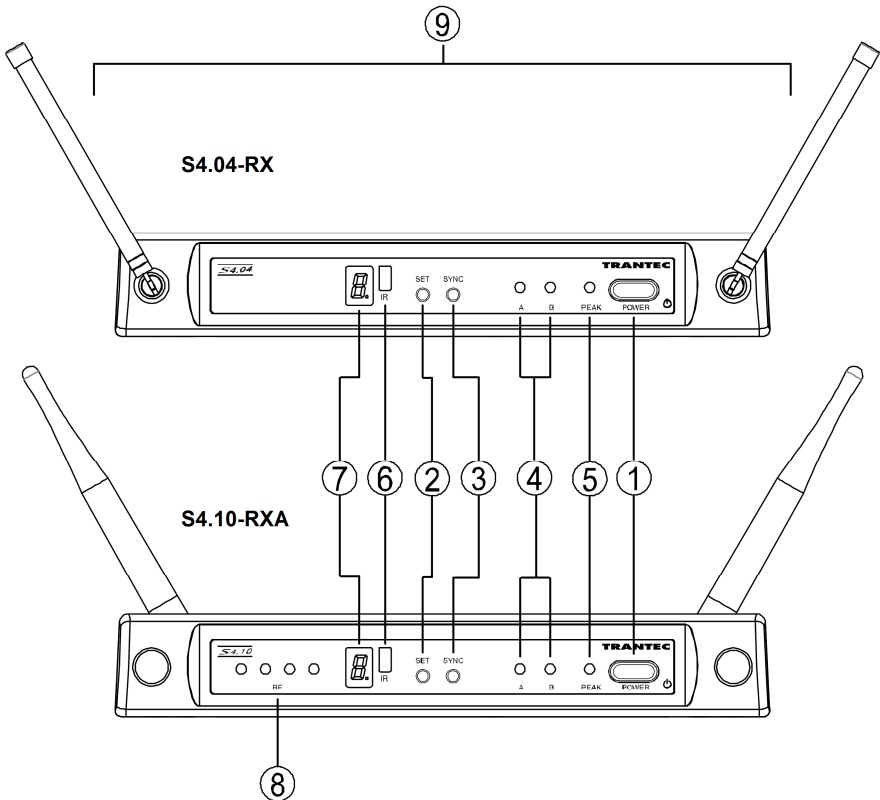
- An optimized PLL-synthesizer minimizes the oscillation frequency drift resulting from the ambient temperature or voltage fluctuation.
- Power/Battery lamps indicate battery consumption to prevent the unit from malfunctioning when the battery level remarkably decreases.
- Up to 10 hours of continuous use with single AA alkaline battery.
- S4 series HDX employs a built-in antenna.
- The state of battery consumption can be displayed on S4 series RX receiver's indicator.
- Quick channel scanning and auto channel set-up.
- Infra-red auto channel set-up.
- Compact size and high reliability.

4. HANDLING PRECAUTIONS

- Do not expose the unit to rain or an environment where it may be splashed by water or other liquids, as doing so may result in unit failure.
- Never open nor remove the unit case to modify the unit. Refer all servicing to your nearest TOA dealer.
- Take care not to drop the unit onto the floor nor bump it against a hard object as the unit could fail.
- Do not place the unit in locations of high temperature (e.g. in an ill-ventilated car in summer) or high humidity as the unit could fail.
- Do not use the unit in locations where it is exposed to seawater.
- Avoid using a mobile telephone near the wireless microphone in use. Noise could be picked up.
- When installing, keep the unit as far away as possible from fluorescent lamps, digital equipment, personal computers, and other equipment that generate high frequency noise.
- To clean, use a dry cloth. When the unit gets very dirty, wipe lightly with a cloth dampened in a dilute neutral cleanser, then wipe with a dry cloth. Never use benzene, thinner, or chemically-treated cleaning towel.
- When using two or more wireless microphones, keep them at least 50 cm away from each other to avoid malfunctions or noise.
- Keep the wireless microphone at least 3 m away from the receiving antenna. Using the microphone in close proximity to the antenna could result in malfunctions or noise.

5. NOMENCLATURE AND FUNCTIONS

Receiver : S4.04-RX & S4.10-RXA
[Front]



1. Power switch

Press this switch to turn the power on, and press it again to turn the power off.

2. Channel setting key [SET]

Used to select the receiving channel (frequency).
(The receiver frequency must be identical to that of the microphone.)

3. Infrared (IR) sync key [SYNC]

Press this switch to transfer the frequency to the transmitter.

4. Reception lamps [A, B]

Either lamp A (left) or B (right) lights yellow when the receiver matches a radio signal from the transmitter.

5. AF peak lamp [PEAK]

Lights red when the receiver output level reaches the point about 3 dB below the clipping level.

6. Infrared (IR) port [IR]

Transmit the infrared signal, when pressing SYNC key,

7. Numerical LED display

Indicates the current channel number in normal state.

In setting mode, the indicated channel number flashes until registered.

8. RF signal level meter (S4.10-RXA only)

Indicates the RF signal level.

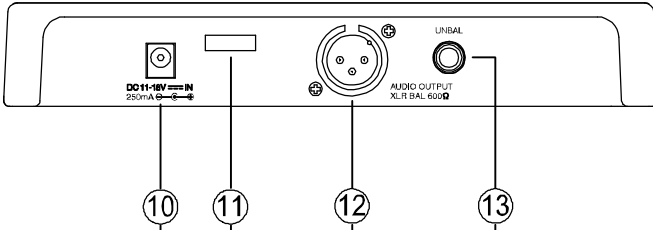
9. Antennas (S4.04-RX only)

Raise both antennas at 45° outwards from a vertical line.

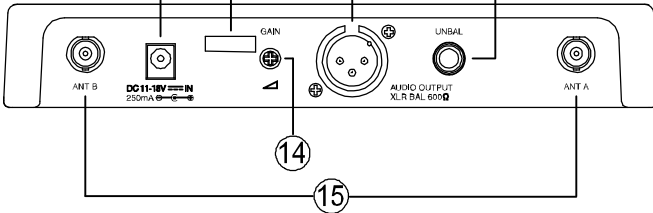
When carrying the unit, be sure to fold down both antennas to prevent them from break.

[Rear]

S4.04-RX



S4.10-RXA

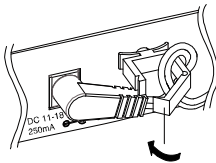


10. DC input jack

Connect the power cable of the supplied AC adapter to this jack.

11. Cable hanger

Hook the power cable onto this part.



12. AF output

Balanced XLR jack, male type (Pin #2: Hot).

S4.04-RX : -20 dBu (maximum)

S4.10-RXA : 16 dBu (maximum)

13. AF output

Unbalanced phone jack

S4.04-RX and S4.10-RXA : 10 dBu (maximum)

14. Volume control (S4.10-RXA only)

Adjust the output level.

15. Antenna input A, B (S4.10-RXA only)

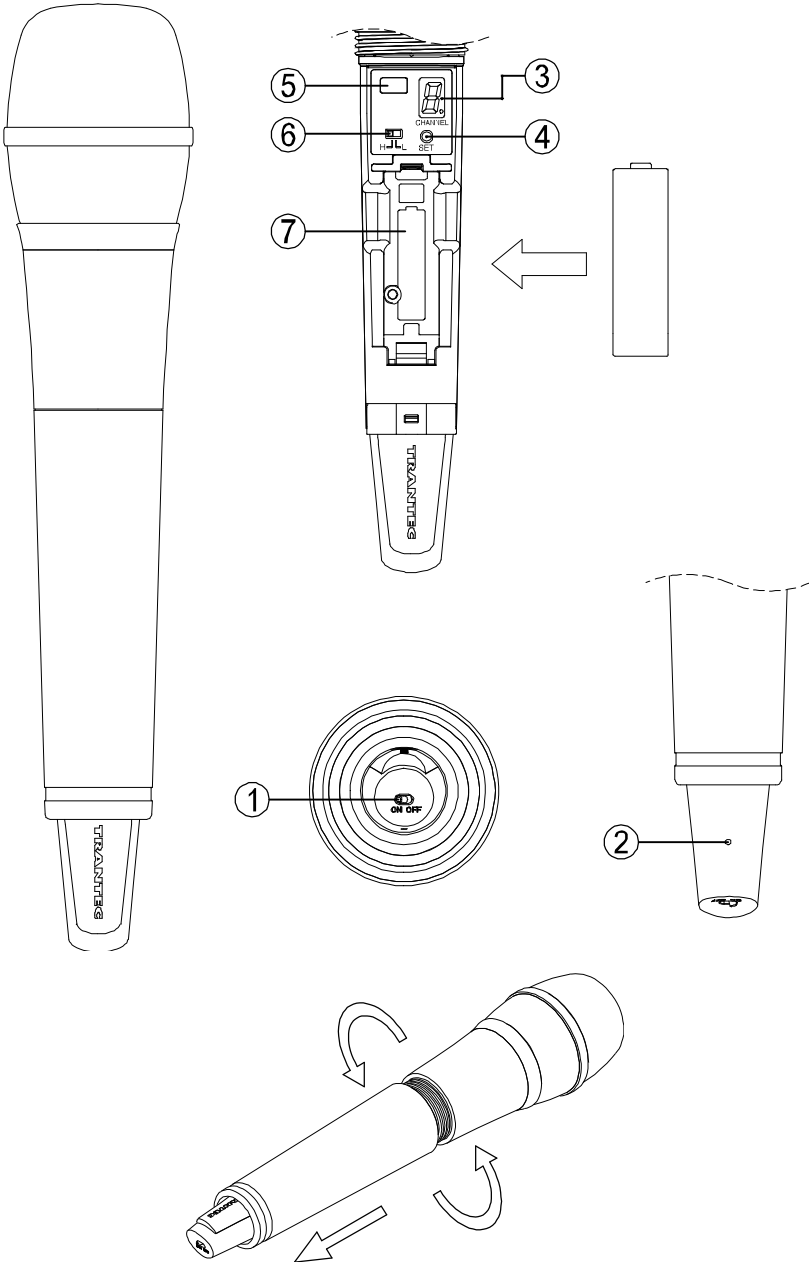
BNC connectors for antennas

Phantom powering for the external antenna (optional)

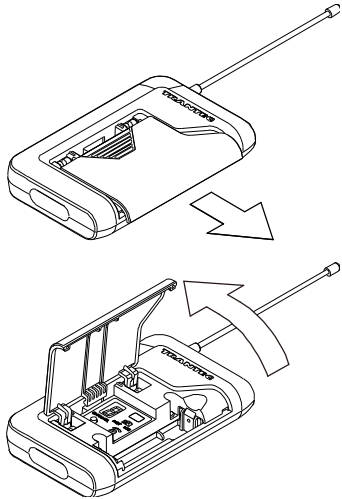
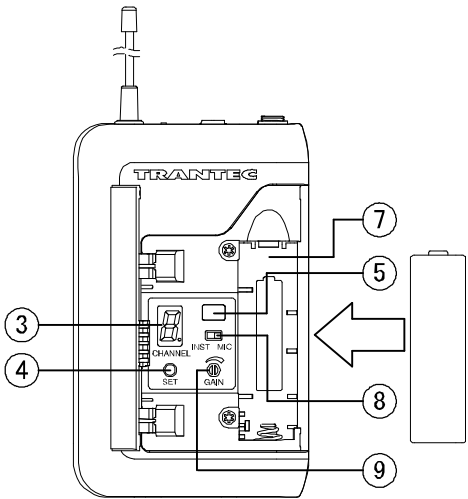
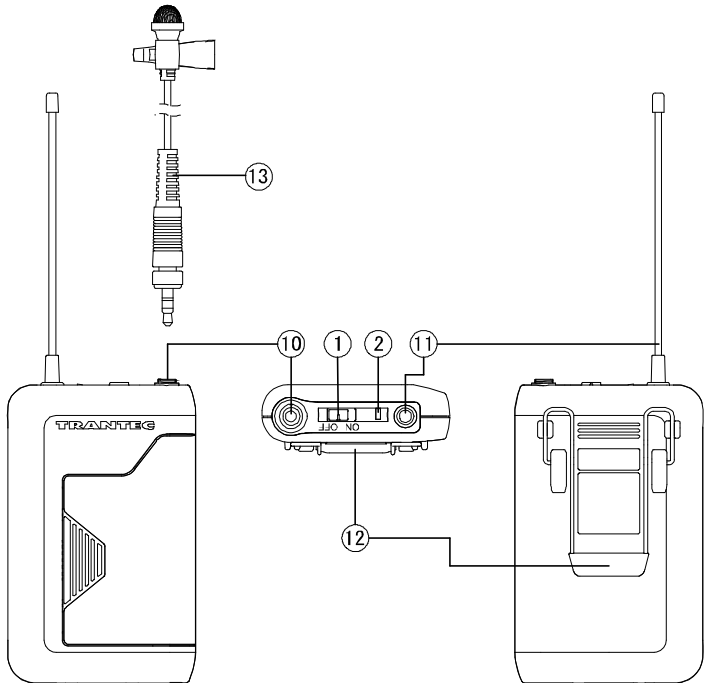
For the wireless system covering a relatively narrow area, use the supplied two rod antennas, which should be set up at 45° outwards from a vertical line.

Tip S4.10-RXA receiver gain is continuously adjustable. Should the receiver signal be too high, it will distort your mixer / amplifier. If the signal is too low, the result will be an increase in general background noise. Monitor the AF peak LED on the receiver, and adjust the volume control to achieve the best signal quality.

Handheld microphone : S4.04-HDX & S4.10-HDX



Belt-pack transmitter : S4.04-BTX & S4.10-BTX



1. Power switch

Slide this switch towards "ON" to turn the power on, and slide it again towards "OFF" to turn the power off.

2. Power / Battery lamp

A green LED lights as long as the battery capacity is sufficient. When the battery capacity becomes low, the green LED starts to flash.

3. Numerical LED display

Indicates the current channel number in normal state.

In setting mode, the indicated channel number flashes until registered.

4. Channel setting key [SET]

Used to select the channel (frequency). (The frequency must be identical to that of the receiver.)

5. Infrared (IR) port

Receive the infrared signal from the receiver.

6. PAD switch (S4.10-HDX only)

This switch is used for microphone sensitivity adjustment. The sensitivity can be decreased to "H" (0dB), "L" (-10dB).

Note Never position the transmitter antenna directly against the body or hand. This will have the effect of reducing the operating range considerably.

7. Battery compartment

Insert an AA battery according to (+) and (-) indications on the battery compartment.

Note: Turn off the power switch.

HDX: Hold the microphone body and rotate the microphone grip counterclockwise to remove it.

BTX: Slide the battery cover in the direction indicated by the arrow while pressing on the cover with a thumb and hinge upwards.

8. MIC / Instrument switch (BTX only)

Slide this switch towards "MIC" to connect the microphone, and slide it towards "INST" to connect the instrument.

9. Audio level control (BTX only)

Adjust the audio level control using the supplied screwdriver. The transmitter sensitivity increases as the control is rotated clockwise, and decreases as rotated counterclockwise.

10. Input connector (BTX only)

3.5 mm jack socket, Connect the microphone or the instrument cable.

11. Antenna (BTX only)

12. Clip (BTX only)

Clip the transmitter to a belt through the belt clip.

13. Microphone (BTX only)

Note: Route the microphone cable so as to avoid undue strain or friction. Try and keep the microphone cable away from the antenna.

6. CHANNEL NUMBER SETTING by MANUAL

Step 1. Press the SET key for about 3 seconds until the displayed channel number blinks.

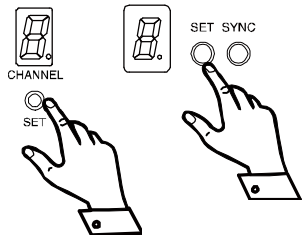
Step 2. Select the desired channel number with the SET key, and once the desired number is reached, release the SET key. After about 5 seconds, the receiver automatically sets channel and the blinking number turns to steady light.

Tip Continuous depression of the SET key permits the display to cycle through the channel numbers.

On the receiver side, when the dot LED by the channel number LED is blinking at selected channel number, this means that the channel is already occupied.

Note Make sure that the transmitter is identical to the receiver in the channel number. Should the microphone's setting differ from that of the receiver, the receiver will not receive the radio signal from the transmitter.

On the transmitter side, the power switch turns on, the channel number display turns on the light for about 20 seconds, and then this display turns off the light. When SET key presses in this condition, this display turns on the light for about 20 seconds.



7. CHANNEL NUMBER SETTING by INFRARED SYNCHRONIZATION

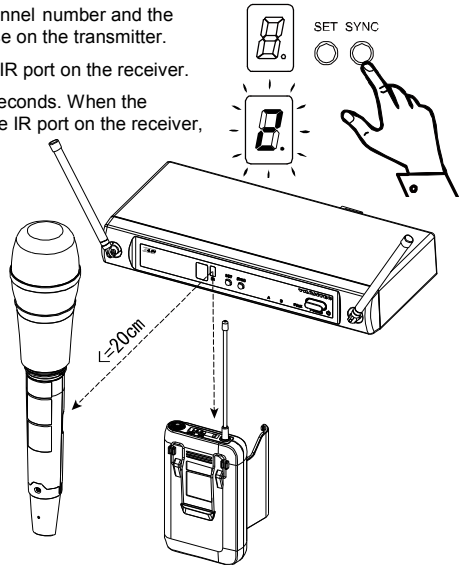
Step 1. Confirm that the receiver is set to the correct channel number and the transmitter is turned on, then open the battery case on the transmitter.

Step 2. Bring the IR port in the transmitter within 20cm of IR port on the receiver.

Step 3. Press the SYNC key on the receiver for about 3 seconds. When the channel data has transmitted successfully from the IR port on the receiver, the displayed channel number flashes.

Step 4. When the channel number is synchronized successfully between the receiver and the transmitter, the displayed channel number in the transmitter blinks for about 3 seconds,

Note On the transmitter side, even if the channel number display light turns off, the display turns on again when IR synchronization has succeeded.



8. CHANNEL SCAN

Step 1. Press the SET key and the SYNC key at the same time for about 3 seconds. Channel scan begins, and an idle channel number is indicated blinking on the channel number display.

Step 2. After channel scan finishes, the idle channels are displayed in turn.

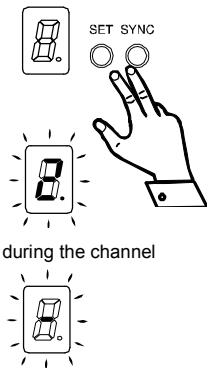
Step 3. Press the SET key and the SYNC key at the same time, the receiver sets the idle channel automatically.

Note Before starting the channel scan, turn off all transmitters and any other equipment that could cause interference during the setting or it may be detected during the channel scan.

If there are no idle channels, the channel number is displayed blinking as a "-". And then the channel before starting the channel scan is set again.

Multiple System Setup

Set up each system one at a time, confirm each system is assigned a different channel, and leave the transmitter powered on. Otherwise, the channel scan from the other receiver will not detect as the occupied channel.



9. BATTERY ALARM INDICATOR

• When the battery capacity in the corresponding transmitter becomes low, the dot LED of the numerical LED on the receiver and the transmitter blinks. Replace the transmitter battery.



10. OPERATIONAL HINTS

- The transmitter's service distance is 3 – 100 m. When the transmitter user moves in a facility, signal dropouts (momentary losses of signal reception) may be encountered. These dropouts are caused by the building's architectural design or materials which block the travel of or reflect the radio signal. If this occurs, the user needs to change locations for better signal reception.
- Confirm the good line of sight between the transmitter and the receiver. Do not place large obstructions (e.g. Concrete walls or large metal obstructions) between the transmitter and the receiver. In addition keep the receiver away from metallic beams and obstructions as these can adversely affect the antenna pick-up pattern and cause interference.
- The proper operation of your wireless system may be interfered with by other systems operating on the same frequency. In such cases, change the operating frequency of your system.
- Hold the microphone within 20cm from the sound source. Move the microphone closer for a warmer sound. And do not cover the grille with hand.
- Keep your mouth 15 – 20 cm away from the lavalier microphone for the best possible sound reproduction. In case of the Omni-directional response, it will pick up sounds from all directions. It is better that the microphone is placed closer to the sound source. Take care not to bring your mouth too close to the microphone (within 5 cm) as this impairs speech clarity if you speak loudly.
- In case of the headset microphone, by adjusting the gooseneck, locate the microphone with the supplied windscreen in front of your mouth, and position it 3 – 5 cm away from your mouth for the best sound reproduction. When the microphone is too close to your mouth or you speak too loud, speech clarity will be impaired, making it hard for the audience to hear announcements.

11. TROUBLESHOOTING

Issue	Condition	Solution
No sound	Receiver Reception lamps [either A or B] or RF signal level meter lights.	Confirm the connections of all sound system or gain Confirm the receiver volume control.
Sound distorted	AF peak lamp [PEAK] indicates.	Confirm the transmitter gain or PAD. Confirm the receiver volume control. Confirm the receiver output level match to the input level of the mixer / amplifier.
Poor range or sound dropouts	Receiver Reception lamps [A and B] are flicking or RF signal level meter turn light off.	The system must be set up within recommended range. The transmitter must be used in line of sight from the receiver. Check the channel scan, confirm nearby source of interference, and change the receiver and the transmitter to a different channel. Confirm the battery indication, and replace the transmitter battery.

12. SPECIFICATIONS

System

Modulation	Wideband FM
Frequency Range	UHF band (506-538, 538-576, 576-603, 603-638, 638-671, 671-701, 720-758, 785-815, 819-832, 836-867, 925-937.5 MHz)
Tunable Frequencies	25 kHz Steps
Switchable Channels	S4.04 : 4 channels S4.10 : up to 16 channels (depending on region)
Operated channels simultaneously	S4.04 : 4 channels S4.10 : up to 16 channels (depending on region)
Pilot tone	32.768kHz
Total Harmonic Distortion	< 1 % @1kHz
Function	IR sync, Channel scan, Battery life information
Dynamic Range	>96 dB(A)
Operating Range	approx. 100 m
Operating Temperature Range	-10°C to +50° C

Note: 506–603 MHz and 614–698 MHz for USA/Canada, 614–698 MHz for Brazil, 865–867 MHz for India, 925-937.5 MHz for Korea

TRANSMITTER

	S4.04-HDX, S4.10-HDX	S4.04-BTX, S4.10-BTX
Microphone unit	Dynamic with cardioid pattern	TRANTEC series lavalier and head set microphone
RF Carrier Power	10 mW	10 mW
Audio Frequency Response	80 - 15000 Hz	50 - 15000 Hz
Audio input Level	140 dB SPL (maximum)	-6dBV (maximum), mic gain 0dB
Battery Life	approx. 10 hours	approx. 10 hours
Power Supply	1 AA size alkaline battery, 1.5 V	1 AA size alkaline battery, 1.5 V
Finish	Resin, coating	Resin, coating
Dimensions*	250 x ϕ 50 mm	62 (W) x 100 (H) x 25 (D) mm (with clip)
Weight*	245 g (with battery)	85 g (with battery)

RECEIVER S4.04RX, S4.10-RXA

Diversity Reception	Antenna Diversity
Sensitivity	10uV at 45dBA S/N
Squelch (SQ)	Tone SQ, Carrier SQ, Noise SQ
Audio Frequency Response	50 - 15000 Hz
Audio Output Level (Maximum)	S4.04-RX Balanced (XLR socket) : -20 dBu Un-balanced (1/4" jack socket) : 10 dBu S4.10-RXA Balanced (XLR socket) : 16 dBu Un-balanced (1/4" jack socket) : 10 dBu
Power Supply	11 - 18 VDC 300 mA
Dimensions*	215 (W) x 39 (H) x 102 (D) mm (excluding antenna and BNC)
Weight*	480g

0dBu=0.775V

Note: The design and specifications are subject to change without notice for improvement.

• Accessory

AC adapter

Microphone holder (For handheld microphone)

Screwdriver (For setting of Belt-pack transmitter)

FREQUENCY TABLE / FREQUENZTABELLE / TABLE DES FREQUENCES / TABLA DE FRECUENCIA / FREQUÊNCIA TABELA

S4.04 System

CH Code	Frequency Band Code										
	K4	D5	C2	C9	CA	B7	F4	G5	H4	L4	M4
0	925.100	863.150	803.525	819.150	824.825	749.425	639.625	617.725	576.750	538.525	507.375
1	926.350	863.725	804.575	820.400	826.625	751.150	642.275	620.400	579.150	541.475	509.100
2	928.050	864.150	805.075	821.775	828.525	754.350	647.575	622.825	582.350	544.675	513.900
3	928.850	864.850	805.750	822.650	829.625	755.850	652.250	626.550	590.300	547.325	522.825

S4.10 System

CH Code	Frequency Band Code											
	K3	D4	C1	C6	C8	B6	F3	G3	G4	H3	L3	M3
0	925.300	863.150	794.250	819.150	822.100	748.100	633.475	606.100	616.775	576.200	538.525	506.150
1	926.550	863.725	794.600	819.400	822.550	748.600	634.025	606.550	617.725	576.750	539.075	506.700
2	927.950	864.150	795.050	820.400	823.400	749.250	634.700	607.600	618.100	577.425	539.75	507.375
3	928.600	864.850	795.600	821.150	824.450	750.900	635.500	608.250	619.650	578.225	540.55	508.175
4	931.450	854.900	796.500	821.775	825.000	751.800	636.425	609.200	620.400	579.150	541.475	509.100
5	932.400	855.900	797.700	822.275	825.950	753.325	637.775	610.600	620.850	580.500	542.825	510.450
6	934.600	856.175	799.250	822.650	826.700	754.725	639.625	611.450	621.775	582.350	544.675	512.300
7	935.400	856.575	800.900	820.150	828.100	756.000	641.225	612.600	622.200	583.950	546.275	513.900
8	925.700	857.950	801.600	820.775	828.750	756.775	642.275	613.350	622.825	585.000	547.325	514.950
9	926.950	858.200	803.350	821.900	829.900	757.800	644.800	613.900	623.250	587.525	549.85	518.950
A	928.350	858.650	804.450	822.275	831.375	749.775	647.575	610.250	624.425	590.300	552.625	522.825
b	929.000	859.500	803.150	822.775	826.775	751.625	652.250	610.900	626.550	597.200	557.3	524.975
C	931.850	860.400	803.525	820.525	828.975	752.975	660.750	606.950	627.425	600.525	565.8	528.300
d	932.800	860.900	804.575	821.400	830.075	754.575	662.900	608.500	628.550	602.675	567.95	531.875
E	935.000	861.200	805.075	822.400	831.375	756.300	666.225	609.500	629.400		571.275	534.650
F	935.800	861.750	805.750	822.900	831.875	757.225	670.225	611.600	629.950		575.275	

Note: Frequencies that have same colored cells in each frequency band code are compatible.

Frequenzen, die die Zellen in gleicher Farbe in jedem Frequenzband-Code haben, sind kompatibel.

Les fréquences qui ont les mêmes cellules colorées dans chaque code de bande de fréquence sont compatibles.

Frecuencias con las mismas células de color en cada código de banda de frecuencia son compatibles.

Frequências com as mesmas células de cor em cada código de banda de frequência são compatíveis.

CERTIFICATIONS

Any modification to the unit, unless expressly approved by TOA Electronics, Inc., could void the your authority to operate the equipment.

DECLARATION OF CONFORMITY

TOA Electronics, Inc.

1 Harmon Plaza, Suite 602 Secaucus,
New Jersey 07094, USA
TEL 650-452-1200

declare under our sole responsibility that the product

WIRELESS RECEIVER
S4.04-RX, S4.10-RXA

comply with Part 15 of FCC Rules.

Operation is subject to the following conditions: (1) this device may not cause harmful interference, and (2) this device must accept any interference received, including interference that may cause undesired operation.

In compliance with

EN 301 489-01:V1.9.2(2011-09)
EN 301 489-09:V1.4.1(2007-11)
EN 300 422-2 V1.4.1 (2015-06)
EN 62368-1:2014

CE Declaration of Conformity

2014/53/EU RED
2011/65/EU RoHS

Traceability Information for Europe

Manufacturer:

TOA Corporation
7-2-1, Minatojima-Nakamachi, Chuo-ku, Kobe,
Hyogo, Japan

Authorized representative:

TOA Electronics Europe GmbH
Suederstrasse 282, 20537 Hamburg, Germany
URL: www.toa.de

COMPLIANCE STATEMENT TO

AT DE	Österreich Deutschland	Hiermit erklärt TOA Electronics Europe GmbH die Übereinstimmung des Funkmikrofon / Empfängers mit den grundlegenden Anforderungen und den anderen relevanten Festlegungen der Richtlinie 2014/53/EU.
BE	België	Bij deze verklaart TOA Electronics Europe GmbH dat deze draadloze microfoon / ontvanger voldoet aan de essentiële eisen en aan de overige relevante bepalingen van Richtlijn 2014/53/EU.
	Belgique	Par la présente, TOA Electronics Europe GmbH déclare que ce microphone sans fil / récepteur est conforme aux exigences essentielles et aux autres dispositions de la directive 2014/53/EU qui lui sont applicables.
CH	Schweiz	Hiermit erklärt TOA Electronics Europe GmbH, dass sich dieses Funkmikrofon / Empfänger in Übereinstimmung mit den grundlegenden Anforderungen und den anderen relevanten Vorschriften der Richtlinie 2014/53/EU befindet.
DK	Danmark	Undertegnede TOA Electronics Europe GmbH erklærer herved, at følgende udstyr Trådløs Mikrofon / Modtager overholder de væsentlige krav og øvrige relevante krav i direktiv 2014/53/EU.
ES	España	TOA Electronics Europe GmbH declara que el micrófono inalámbrico / receptor cumple con los requisitos esenciales y otras disposiciones aplicables o exigibles en la Directiva 2014/53/EU.
FI	Suomi / Finland	TOA Electronics Europe GmbH vakuuttaa täten tämä langaton mikrofoni / vastaanotin on direktiivin 2014/53/EU oleellisten vaatimusten ja sitä koskevien direktiivin muiden ehtojen mukainen.
FR CH	France Suisse	Par la présente TOA Electronics Europe GmbH déclare que l'appareil microphone sans fil / récepteur est conforme aux exigences essentielles et aux autres dispositions pertinentes de la directive 2014/53/EU.
GB	Great Britain	Hereby, TOA Electronics Europe GmbH, declares that this wireless microphone / receiver is in compliance with the essential requirements and other relevant provisions of Directive 2014/53/EU.
GR	Ελλάδα	Με την παρούσα η εταιρεία TOA Electronics Europe GmbH δηλώνει ότι το ασύρματο μικρόφωνο /ο ραδιοφωνικός δέκτης συμμορφώνεται με τις ουσιαστικές απαιτήσεις και τις λοιπές σχετικές διατάξεις της οδηγίας 2014/53/EU.
IT CH	Italia Svizzera	Con la presente TOA Electronics Europe GmbH dichiara che questo Radiomicrofono / Ricevitore è conforme ai requisiti essenziali ed alle altre disposizioni pertinenti stabilite dalla direttiva 2014/53/EU.
NL	Nederland	Hierbij verklaart TOA Electronics Europe GmbH dat deze draadloze microfoon / ontvanger in overeenstemming is met de essentiële eisen en de andere relevante bepalingen van richtlijn 2014/53/EU.
NO	Norway	TOA Electronics Europe GmbH erklærer herved, at denne trådløse mikrofon / mottager er i samsvar med de vesentlige egenskapene og øvrige relevante krav i direktiv 2014/53/EU.
PT	Portugal	TOA Electronics Europe GmbH declara que este Microfone Emissor / Receptor está conforme com os requisitos essenciais e outras disposições da Directiva 2014/53/EU.
SE	Sverige	Härmed intygar TOA Electronics Europe GmbH att denna Trådlös mikrofon / Mottagare står i överensstämmelse med de väsentliga egenskapskrav och övriga relevanta bestämmelser som framgår av direktiv 2014/53/EU.

