

AC ADAPTER AD-246

1. SAFETY PRECAUTIONS

Be sure to read the instructions in this section carefully before use. We also recommend you keep this instruction manual handy for future reference.

⚠ WARNING

Indicates a potentially hazardous situation which, if mishandled, could result in death or serious personal injury.

- Do not expose the unit to rain or an environment where it may be splashed by water or other liquids, as doing so may result in fire or electric shock.
- Use the unit only with the voltage specified on the unit. Using a voltage higher than that which is specified may result in fire or electric shock.
- Do not cut, kink, otherwise damage nor modify the power supply cord. In addition, avoid using the power cord in close proximity to heaters, and never place heavy objects -- including the unit itself -- on the power cord, as doing so may result in fire or electric shock.
- Should the following irregularity be found during use, immediately, disconnect the power supply plug from the AC outlet and contact your nearest TOA dealer. Make no further attempt to operate the unit in this condition as this may cause fire or electric shock.
 - If you detect smoke or a strange smell coming from the unit.
 - If water or any metallic object gets into the unit
 - If the unit falls, or the unit case breaks
 - If the power supply cord is damaged (exposure of the core, disconnection, etc.)
- To prevent a fire or electric shock, never open nor remove the unit case as there are high voltage components inside the unit.

Warning

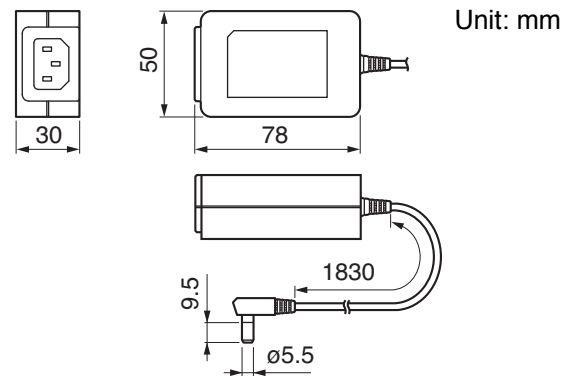
This is a class A product. In a domestic environment this product may cause radio interference in which case the user may be required to take adequate measures.

⚠ CAUTION

Indicates a potentially hazardous situation which, if mishandled, could result in moderate or minor personal injury, and/or property damage.

- Never plug in nor remove the power supply plug with wet hands, as doing so may cause electric shock.
- Avoid installing the unit in humid or dusty locations, in locations exposed to the direct sunlight, near the heaters, or in locations generating sooty smoke or steam as doing otherwise may result in fire or electric shock.
- Do not use this AC adapter for the unit which does not designate its use in combination. Doing so may cause a fire.
- Remove the power supply plug from the AC outlet when moving the connected equipment, as doing otherwise may cause damage to the power cord, resulting in a fire.
- If dust accumulates in the wall AC outlet, a fire may result. Clean it periodically.
- Unplug the power supply plug from the AC outlet for safety purposes when cleaning or leaving the unit unused for 10 days or more. Doing otherwise may cause a fire or electric shock.

2. DIMENSIONAL DIAGRAM



3. SPECIFICATIONS

Power Source	
AD-246 (US)	110 – 120 V AC, 50/60 Hz
AD-246 (ER/UK)	220 – 240 V AC, 50/60 Hz
Output	24 V DC, 1 A
Current Consumption	
AD-246 (US)	420 mA (rated output)
AD-246 (ER/UK)	270 mA (rated output)
Plug	RC6705, center positive
Operating Temperature	0 to +40°C
Finish	Case: Heat-resistant resin, black
Weight	130 g
Accessory	Power cord (2 m) 1

Note: The design and specifications are subject to change without notice for improvement.

Traceability Information for Europe (EMC directive 2004/108/EC)

Manufacturer:
TOA Corporation
7-2-1, Minatojima Nakamachi, Chuo-ku, Kobe, Hyogo, Japan

Authorized representative:
TOA Electronics Europe GmbH
Suederstrasse 282, 20537 Hamburg, Germany

URL: <http://www.toa.jp/>