

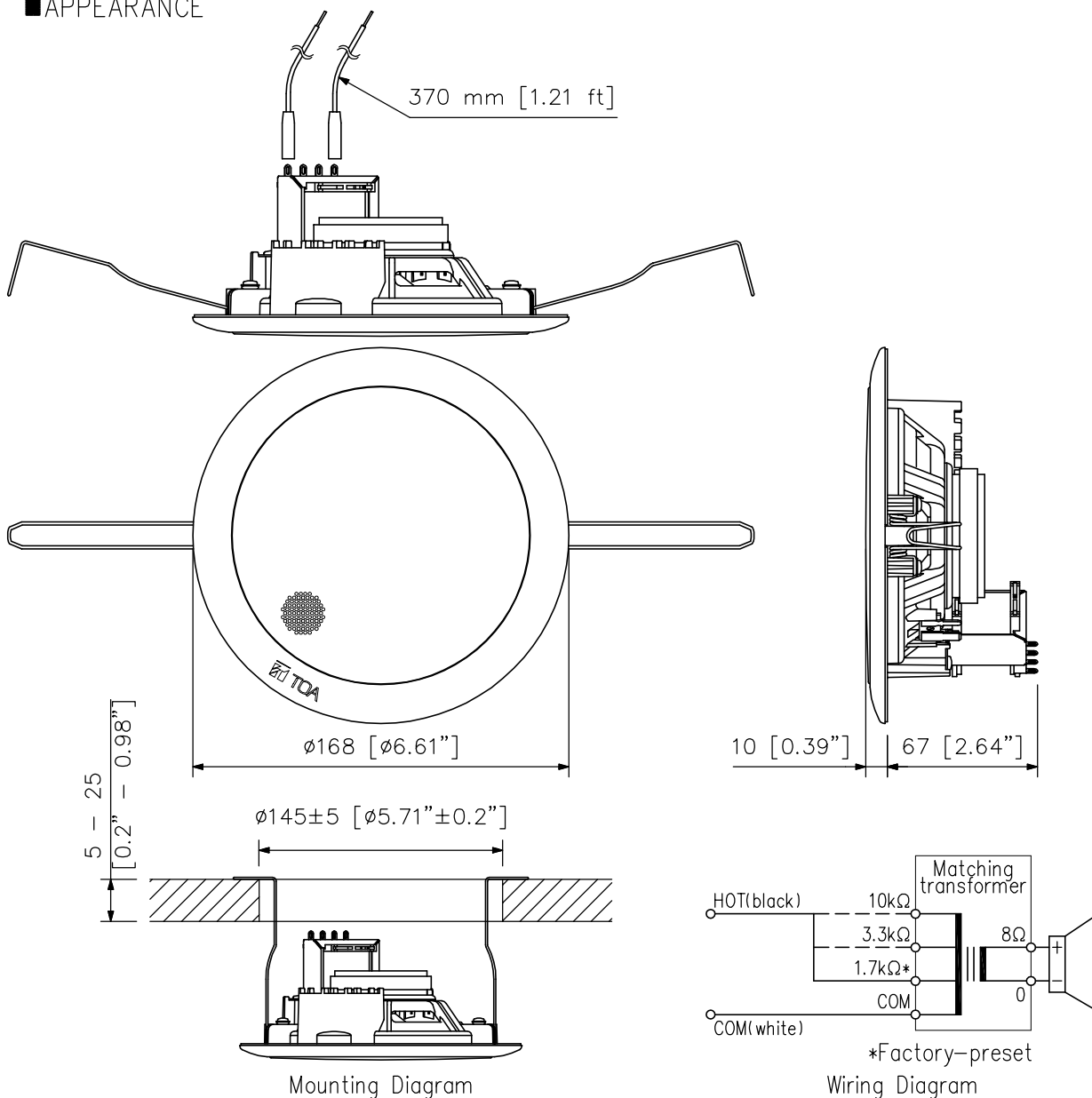
DESCRIPTION

Integrated with a resin panel and speaker frame, the PC-648R is the ceiling mount speaker with a metal attached. It features spring clamp mechanism for easy speaker mounting to the ceiling. The input impedance can be easily changed by changing the tap position of the transformer.

SPECIFICATIONS

Rated Input	6 W (100 V line), 3 W (70 V line)
Rated Impedance	100 V line: 1.7 k Ω (6 W), 3.3 k Ω (3 W), 10 k Ω (1 W) 70 V line: 1.7 k Ω (3 W), 3.3 k Ω (1.5 W), 10 k Ω (0.5 W)
Sensitivity	90 dB (1 W, 1 m) (500 - 5,000 Hz, pink noise)
Frequency Response	100 - 18,000 Hz (peak -20 dB)
Speaker Component	12 cm (5") cone-type
Dimensions for Fixing Hole	Mounting hole: $\phi 145 \pm 5$ mm ($\phi 5.71'' \pm 0.2''$) Ceiling thickness: 5 - 25 mm (0.2" - 0.98")
Speaker Mounting Method	Spring clamp
Finish	Baffle: Polypropylene resin, off-white (RAL 9010 or equivalent color) Grille: Surface-treated steel plate net, off-white (RAL 9010 or equivalent color), paint
Dimensions	$\phi 168 \times 77$ (D) mm ($\phi 6.61'' \times 3.03''$)
Weight	470 g (1.04 lb)
Accessory	Paper pattern *1

APPEARANCE



UNIT:mm SCALE:1/3