

SUBSTATION RS-150, RS-160, RS-170, RS-180

Thank you for purchasing TOA's Substation.

Please carefully follow the instructions in this manual to ensure long, trouble-free use of your equipment.

Note: For operation of the units, refer to the VS-900 operating instructions or the N-8000 series operating instructions.

1. GENERAL DESCRIPTION

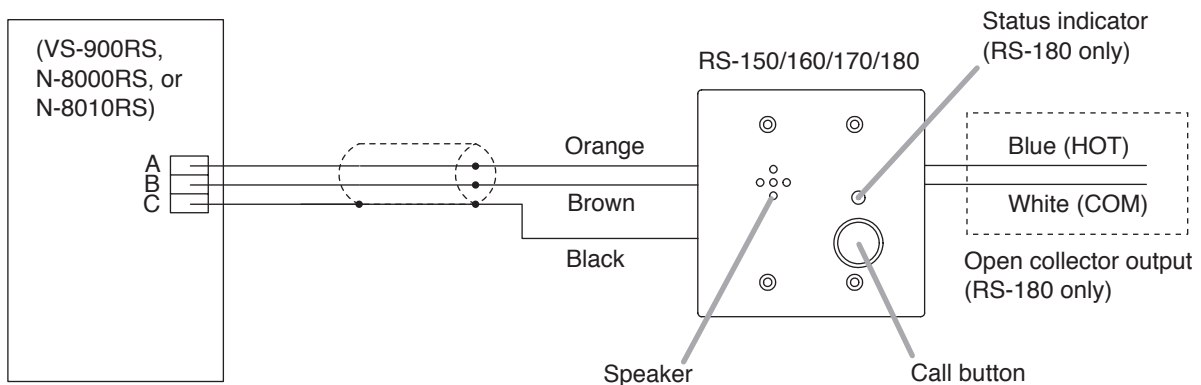
TOA's RS-150, RS-160, RS-170, and RS-180 are Substations designed to be used with TOA's VS-900 Voice Security System and N-8000 Series Packet Intercom System.

Warning

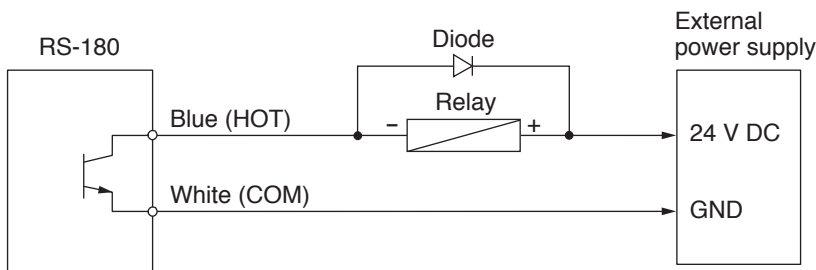
This is a class A product. In a domestic environment this product may cause radio interference in which case the user may be required to take adequate measures.

2. CONNECTION

[Connection to the VS-900RS, N-8000RS, N-8010RS (for 25 V line)]



[Connection to the external relay (RS-180 only)]



Open collector output: 24 V DC (max.), 30 mA.

Note: Cut out the control cables if they are not used to avoid short-circuiting.

Traceability Information for Europe (EMC directive 2004/108/EC)

Manufacturer:
TOA Corporation
7-2-1, Minatojima Nakamachi, Chuo-ku, Kobe, Hyogo, Japan

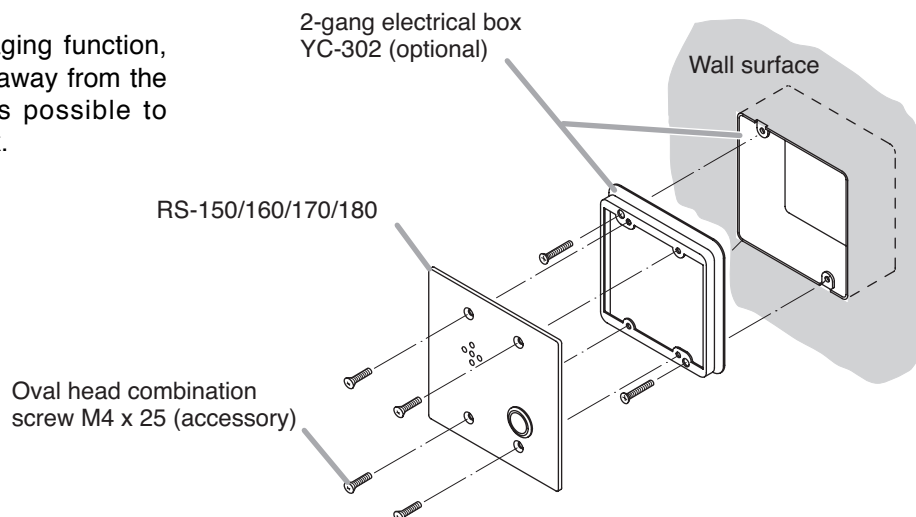
Authorized representative:
TOA Electronics Europe GmbH
Suederstrasse 282, 20537 Hamburg, Germany

3. MOUNTING

Mount the substation to an electrical box mounted to the wall.

Note

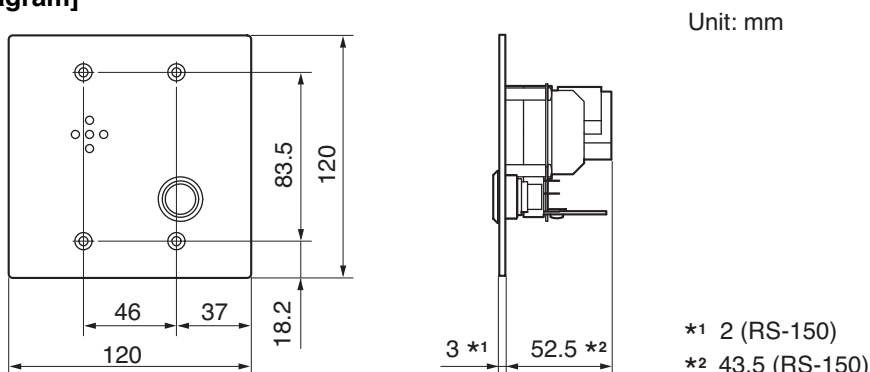
When using the PA paging function, keep the station as far away from the PA paging speaker as possible to avoid acoustic feedback.



Accessory screws

The RS-150, RS-160, RS-170, and RS-180 come with 2 types of screws: M4 x 25 and UNC No. 6-32 x 18. For the electrical box provided with unified threads, use the UNC No. 6-32 x 18.

[Dimensional diagram]



4. SPECIFICATIONS

Model No.	RS-150	RS-160	RS-170	RS-180
Rated Input	1 W			
Rated Impedance	625 Ω (1 W, 25 V)			
Internal Speaker	4 cm dynamic type			
Control Output	(RS-180 only) Open collector, Maximum controlled voltage: 30 V DC, Control current: 30 mA (The open collector output is kept turned on till the conversation is finished after the call button was pressed.)			
Operating Temperature	-10 to +50°C (Temperature range not to freeze the speaker and switch)			
Finish	(Panel) Stainless steel, hairline			
	(Call switch button) Resin		Metal	
	(Printed circuit board) (RS-170, RS-180 only) Weather-resistant coating			
Dimensions	(w) 120 mm			
	(h) 120 mm			
	(d)	48.5 mm	57.5 mm	58.5 mm
Weight	410 g	540 g		570 g
Accessories	Machine screw M4 x 25 ... 4, UNC No. 6-32 x 18 ... 4			
Applicable Box (option)	2-gang electrical box : YC-302			

Note: The design and specifications are subject to change without notice for improvement.