

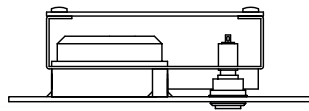
DESCRIPTION

The RS-450 is a substation to be connected to the N-8400RS 4-Wire Substation Interface Unit. Pressing a call button will initiate a call to a preprogrammed master station, enabling a conversation.

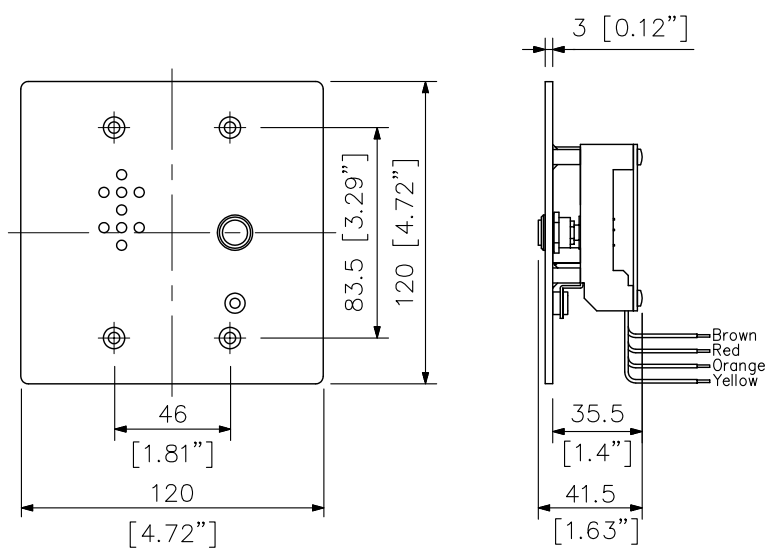
SPECIFICATIONS

Call-in Switch	Momentary (Emergency call: Press twice within 400 ms.)
Rated Input	1 W
Internal Speaker	cone-type
Internal Mic	Electret condenser type
Wiring	Twisted pair cables (2-pair)
Transmission Range	1 km (1093 yd)/ ϕ 0.5 mm (AWG24) 1.5 km (1640 yd)/ ϕ 0.65 mm (AWG22) 2 km (2187 yd)/ ϕ 0.9 mm (AWG19)
Operating Temperature	-10 °C to +50 °C (14 °F to 122 °F) (Temperature range not to freeze the speaker and switch)
Finish	Panel: Stainless steel, hairline Call Switch: Resin, black
Dimensions	120 (W) × 120 (H) × 41.5 (D) mm (4.72" × 4.72" × 1.63")
Weight	510 g (1.12 lb)
Accessory	Box mounting screw (No.6-32UNC × 18)4, Box mounting screw (M4 × 25)4
Applicable Box	2-gang electrical box: YC-302 (option)

APPEARANCE

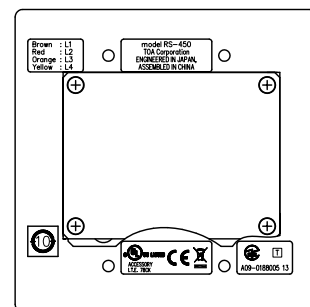


Top View



Front View

Side View



Rear View

UNIT: mm SCALE: 1/3