

# VIDEO INTERCOM SYSTEM

# RS-480VSET

**Note:** For operation of the system, refer to the N-8000 series operating instructions.  
RS-480V should be setup as a substation connected to N-8400RS in the N-8000 setting software.

## 1. GENERAL DESCRIPTION

The RS-480VSET consists of an intercom substation RS-480V, and a video substation interface unit IF-480V. The RS-480V is an intercom substation with a color camera which is designed for indoor and outdoor use in combination with the IF-480V, and the N-8400RS substation interface unit. It requires only one CAT5 cable to connect between the RS-480V and the IF-480V.

## 2. SPECIFICATIONS

### 2.1. Basic Specifications

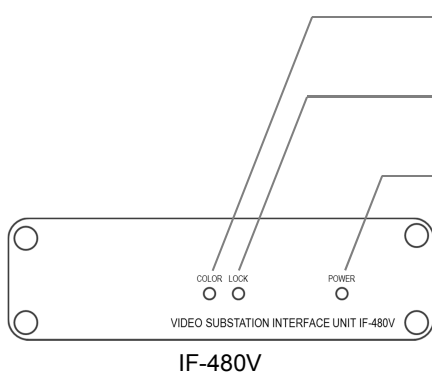
#### [RS-480V]

Power Source	Supplied from IF-480V
Call Button	Momentary (Emergency call: Press twice within 400 ms.)
Rated Input	1 W
Control Output	Open collector, Maximum controlled voltage: 30 V DC, Control current: 30 mA
Internal Speaker	Cone-type
Internal Mic	Electret condenser type
Camera Resolution	520TVL
Camera Angle	170° horizontal
Minimum Illumination	0.008 lux/f2.0
Function	Day & night dual mode auto switch
Indicator	When called: Status indicator (red) flashing In conversation: Status indicator (red) is lit
Wiring	CAT5 cable, RJ45 female connector attached
Transmission Range	3,000ft (AWG24)
Operating Temperature	-10 to +50°C (Temperature range not to freeze the speaker and switch)
Finish	Panel: Stainless steel, hairline Call button: Metal, silver
Dimensions	4.72"(w) x 4.72"(h) x 1.99"(d) (120 x 120 x 50.5mm)
Weight	1.30 lb (605g)
Supplied Accessories	No.6-32UNC x 18 ... 4, Machine screw M4 x 25 ... 4
Applicable Box	2-gang electrical box: YC-302 (option)

#### [IF-480V]

Power Source	Supplied AC adapter must be used
Indicator	Power LED (green), Lock LED (blue), Color LED (orange)
Connectors	RJ45 (to RS-480V), Removable terminal block 4P (to N-8400RS), BNC (Video out) x2
Finish	Anodized aluminum, Black
Dimensions	4.13"(w) x 1.30"(h) x 5.00"(d) (105 x 33 x 127mm) *Not including connectors.
Weight	10.00 oz (285g)
Supplied Accessories	AC adapter
Options	Rack mount plate: MB-480V4 (up to four IF-480Vs are mountable in 1 unit)

## 2.2. LED Indications



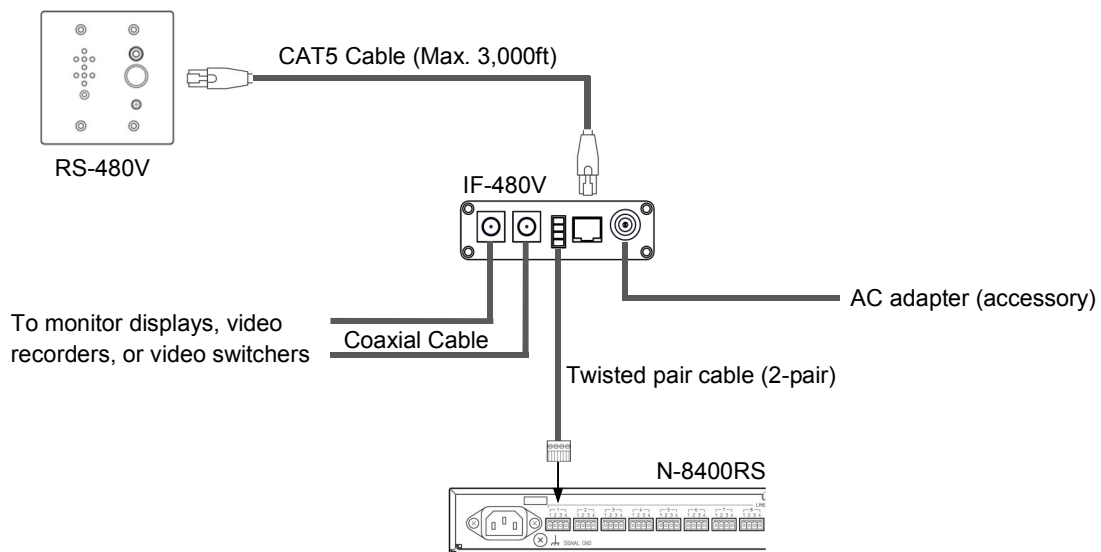
- COLOR: Orange LED lit when the color signal strength is good and is received properly.
- LOCK: Blue LED lit when the video signal strength is good and is received properly.
- POWER: Green LED lit when the IF-480V is power on.

When the COLOR or LOCK LED is off, the following problems are suspected:

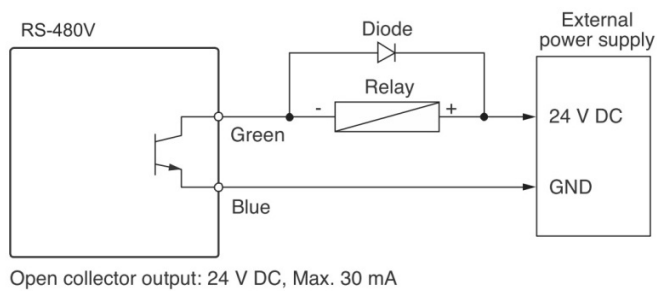
- The cable length from the RS-480V is too long.
- The problem of the camera or the cable.

## 3. CONNECTIONS

### 3.1. System Components



### 3.2 External Relay

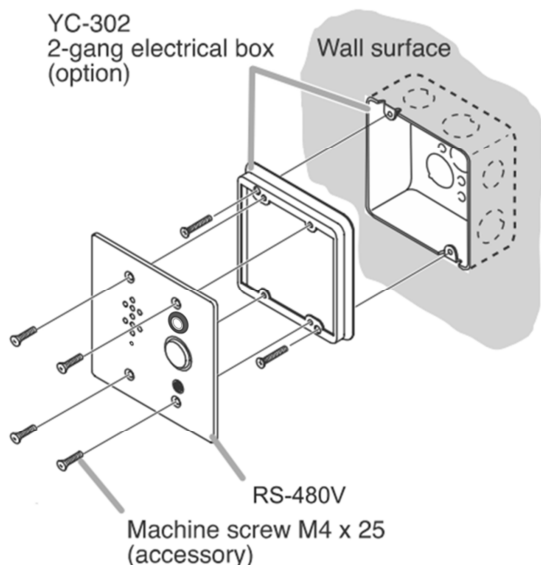


## 4. WALL MOUNTING

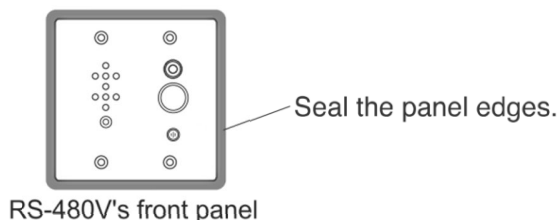
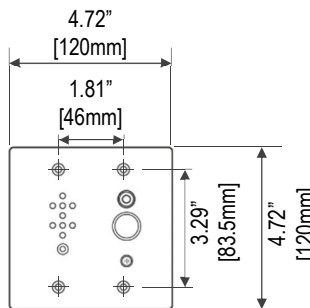
Mount the RS-480V to an electrical box mounted in the wall.

### Notes

- When using the PA paging function, keep the switch panel as far away from the PA paging speaker as possible to avoid feedback.
- When installing the RS-480V at outdoor or locations where it gets wet, tightly seal the panel edges. Also, provide a weep hole at the underside of the mounting box to permit water to drain out.



### Dimensional Diagram



## 6. MOUNTING LOCATIONS

Do not install the RS-480V in the following environments in order to achieve the maximum performance of the camera and capture the target objects clearly:

- Locations where the camera is in direct sunlight.
- Locations where the backlight occurs against the target objects.

