

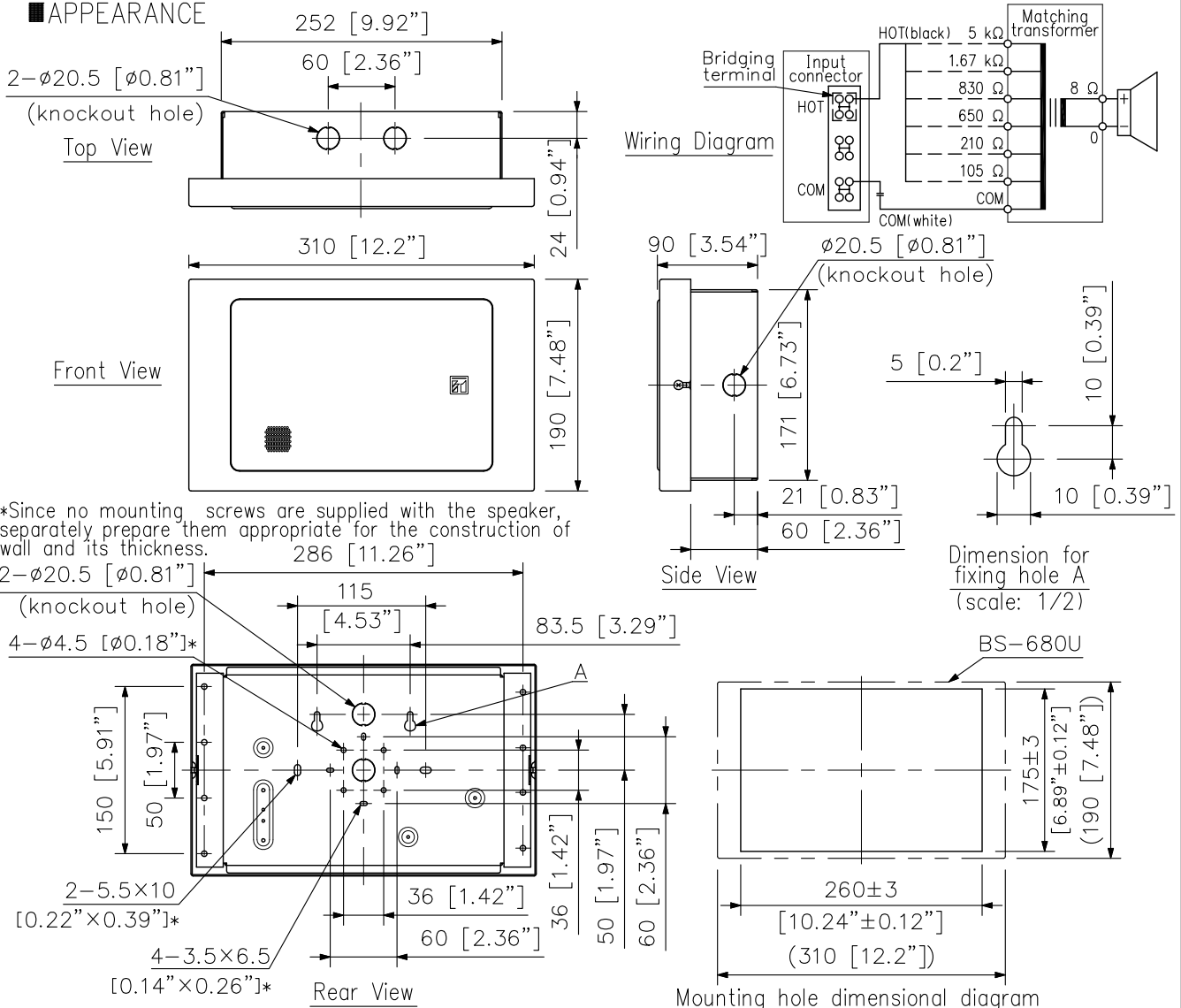
DESCRIPTION

Constructed with metal cabinet, the speaker is ideal for use in a voice alarm system. Can be surface- or flush- mounted to the wall. Either concealed in-wall wiring or exposed wiring can be used for speaker cable connection. The speaker structure of direct wall-mounting with screws prevents the speaker from falling easily even if an outward force is applied to. The input impedance can be easily changed by changing the tap position of the transformer. The built-in 16 cm double cone speaker unit delivers high quality sound. The push-in type input connector makes cable connections easy and allows bridge wiring. The BS-680U is certified to UL 1480 UUMW and ULC-S541 standards, and for indoor use only.

SPECIFICATIONS

Rated Input	6 W
Rated Impedance	70 V line: 830 Ω (6 W), 1.67 kΩ (3 W), 5 kΩ (1 W) 25 V line: 105 Ω (6 W), 210 Ω (3 W), 650 Ω (1 W)
Sensitivity	94 dB (1 W, 1 m) (500 Hz - 5 kHz, pink noise)
Frequency Response	150 Hz - 20 kHz (peak -20 dB)
Speaker Component	16 cm (6") double cone-type
UL Code	UL 1480 UUMW, ULC-S541
Applicable Cable	Solid copper wire: $\phi 0.8 - \phi 2.0$ mm (AWG 20 - 12) Stranded copper wire: 0.5 - 2.0 mm ² (AWG 20 - 14)
Connection	Push-in connector (bridging terminal)
Operating Temperature	-10 °C to +50 °C (14 °F to 122 °F)
Finish	Baffle, Cabinet: Steel plate, white (RAL 9010 equivalent), powder coating Grille: Surface-treated steel plate mesh, white (RAL 9010 equivalent), paint
Dimensions	310 (W) x 190 (H) x 90 (D) mm (12.2" x 7.48" x 3.54")
Weight	2.6 kg (5.73 lb)
Accessory	Rubber grommet ...2, Speaker mounting screw (4 x 16) ...4, Sponge tape ...1 sheet (2 pieces)

APPEARANCE



*Since no mounting screws are supplied with the speaker, separately prepare them appropriate for the construction of wall and its thickness.

UNIT:mm SCALE:1/6

Note: Numerical values in parentheses are for reference only.