

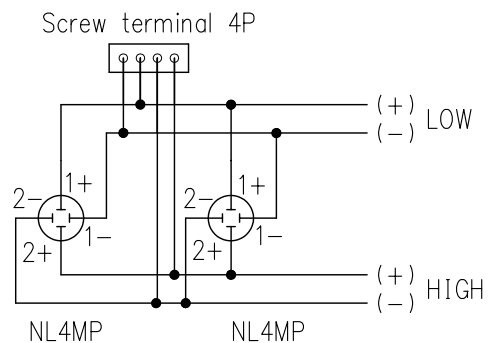
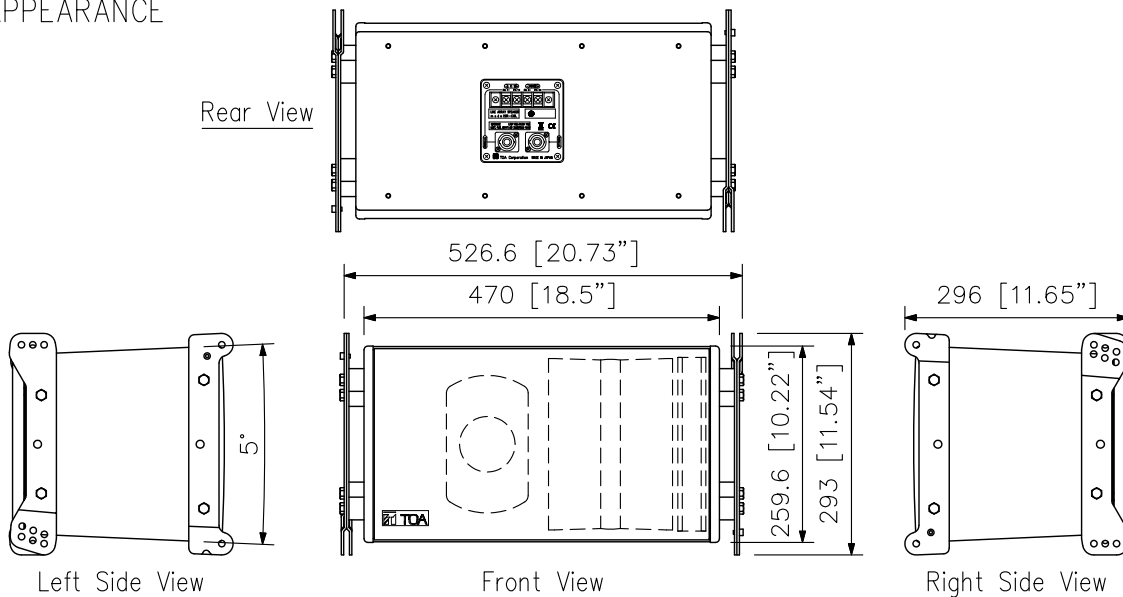
DESCRIPTION

The SR-C8L is a 2-way Line Array Speaker featuring wave front control technology which creates a sound field with high sound clarity and uniform sound pressure. Recommended digital processor is the DP-0206 (optional). It can be converted into the bi-amplifier drive system by changing the internal connection.

SPECIFICATIONS

Enclosure	Bass-reflex type
Power Handling Capacity	Continuous program: 360 W (single-amp mode) Low: 360 W, High: 180 W (bi-amp mode)
Rated Impedance	16 Ω (single-amp mode) Low: 16 Ω, High: 16 Ω (bi-amp mode)
Sensitivity	98 dB (1 W, 1 m) (single-amp mode) Low: 95 dB (1 W, 1 m), High: 110 dB (1 W, 1 m) (bi-amp mode)
Frequency Response	65 – 20,000 Hz (when driven with the optional DP-0206's recommended parameters)
Crossover Frequency	1,600 Hz (when driven with the optional DP-0206's recommended parameters)
Directivity Angle	Horizontal: 110°, Vertical: 5°
Speaker Component	Low frequency: 20 cm (8") cone-type High frequency: Wave front control horn 110° (horizontal) × 5° (vertical) + compression driver × 2
Input Connector	M5 screw terminal, distance between barriers: 12.2 mm (0.48") and Neutrik NL4MP × 2
Finish	Enclosure: Plywood, black, urethane paint Front grille: Punched steel plate, black, paint
Dimensions	526.6 (W) × 293 (H) × 296 (D) mm (20.73" × 11.54" × 11.65")
Weight	17 kg (37.48 lb)
Accessory	M8 connection bolt × 4
Option	Cluster bracket: SR-CL8 Rigging frame: SR-RF8 Tilt joint bracket: SR-TP8 Digital processor: DP-0206

APPEARANCE



Wiring Diagram

UNIT:mm SCALE:1/10