

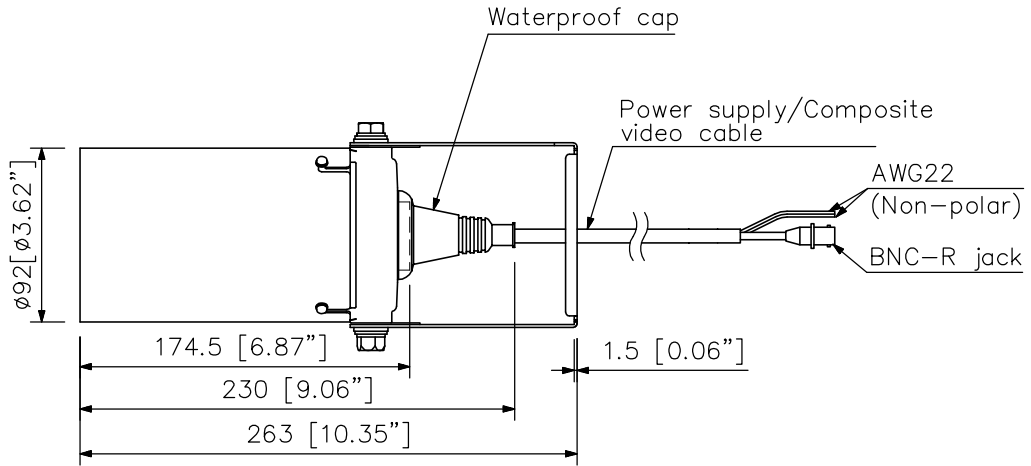
**DESCRIPTION**

The C-CV454R-3 is an Outdoor-Use Day/Night IR Camera equipped with a 1/3 type CCD. Owing to a built-in auto iris varifocal lens, the angle of view can also be manually adjusted. It functions as a color camera (day mode) in bright locations and as a high-sensitivity black & white camera (night mode) in dark locations. Since the camera's built-in infrared LED illuminator lights in night mode, video surveillance is possible even in no light conditions, allowing the camera to be used for around-the-clock surveillance. Noise reduction function enables low noise, clear images to be viewed even under poor lighting conditions. Its dust-proof and waterproof (IP66) construction permits it to be mounted to an outdoor wall or ceiling without using a special device. Angle of the camera unit can be adjusted freely regardless of installation location, allowing a wider area to be viewed.

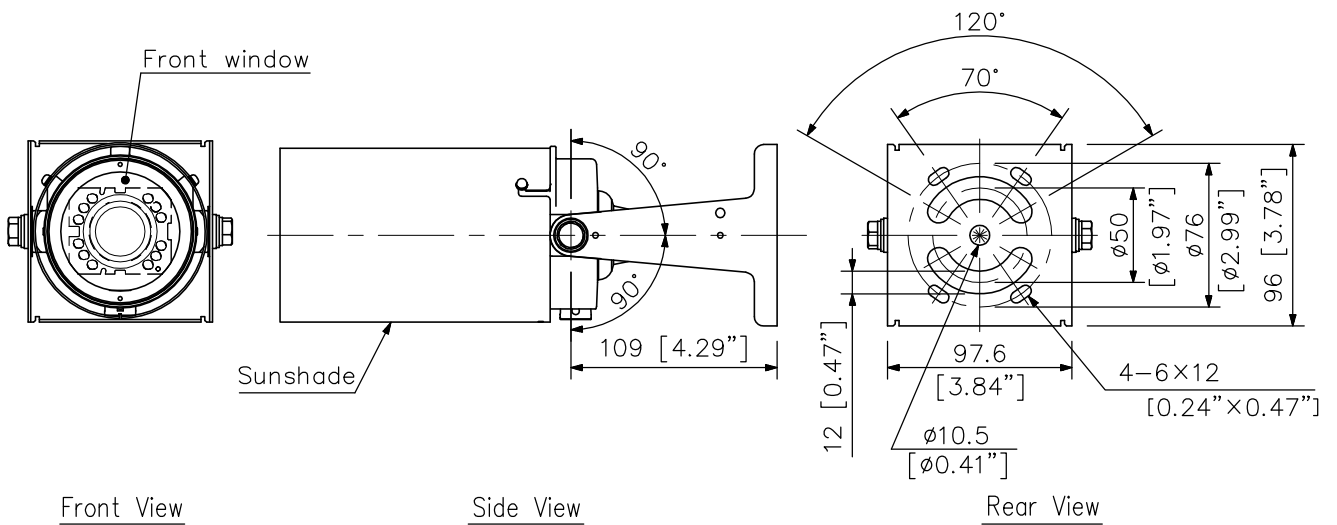
**SPECIFICATIONS**

Power Source	24 V AC, 50/60 Hz or 12 V DC
Power Consumption	4 W (300 mA, maximum current: 800 mA)
Image Device	1/3 type IT-CCD
Number of Effective Pixels	768 (H) × 494 (V) (380,000 pixels)
Scanning System	2:1 interlace
Scanning Frequency	Horizontal: 15.734 kHz, Vertical: 59.94 Hz
Monitor Output	VBS 1.0 V(p-p), 75 Ω, RCA pin jack
Video Output	VBS 1.0 V(p-p), 75 Ω, Water-resistant connector
Synchronizing System	Internal synchronization
Resolution (at center)	Horizontal: 540 lines (standard) , Vertical: 350 lines
S/N Ratio	50 dB
Minimum Illumination	0.5 lx (50 IRE, color, high-sensitivity switch OFF), 0.2 lx (20 IRE, color, high-sensitivity switch OFF), 0 lx (night mode) <span style="float: right;">*Flickerless: OFF</span>
Threshold Illumination for Mode Switching	Color-to-B/W mode: Approx. 2 lx B/W-to-color mode: Approx. 10 lx (incandescent lamp)
White Balance Mode	ATW/AWB (switch selector)
Focal Length	f = 3.0 mm - 9.0 mm
Maximum Aperture Ratio	1:1.4 - 2.4
Iris	Auto-iris
Angle of View	Horizontal: 90.3° - 31.9° Vertical: 66.4° - 23.9° Diagonal: 115.4° - 39.8°
Infrared LED's Illumination Range	Indoors: Approx. 18 m (59.06 ft) (high-sensitivity switch OFF), Approx. 25 m (82.02 ft) (high-sensitivity switch ON) Outdoors: Approx. 15 m (49.21 ft) (high-sensitivity switch OFF), Approx. 25 m (82.02 ft) (high-sensitivity switch ON)
Function	Back light compensation, Flickerless function, Iris control, Max. 8 × sensitivity increase (auto/off), Noise reduction (24-hour), Day/night mode (auto selector), Adjustment Switch: ON/OFF (used for focus adjustment)
Water/Dust Protection	IP66
Operating Temperature	-10°C to +50°C (14°F to 122°F)
Operating Humidity	90% RH or less (no condensation)
Finish	Front cover, rear cover, sunshade: Aluminum, light gray, paint Mounting bracket: Stainless steel, light gray, paint
Dimensions	ø92 × 230 (D) mm (ø3.62" × 9.06") (excluding the mounting bracket)
Weight	1.2 kg (2.65 lb)
Accessory	Mounting bracket ...1, Insulating spacer ...2, Bracket mounting bolt (with washer, stainless steel) ...2, Cable with waterproof cap (2 m (6.56 ft)) ...1
Option	Pole mounting bracket: C-BC450PM Pole band: YS-60B

■ APPEARANCE



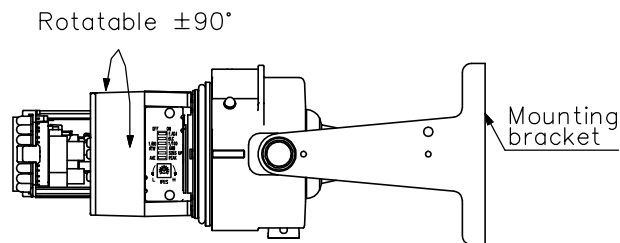
Top View



Front View

Side View

Rear View



Side view without sunshade, front cover

UNIT:mm SCALE:1/4