



VANDAL RESISTANT DAY/NIGHT IR CAMERA

C-CV854R-3(CU)

DESCRIPTION

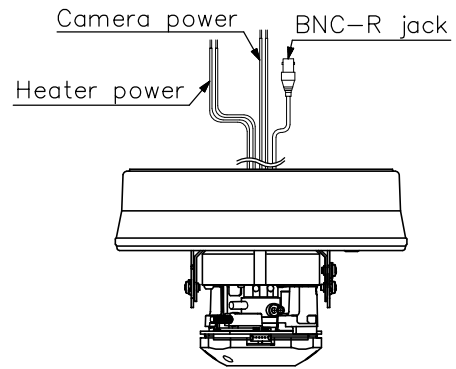
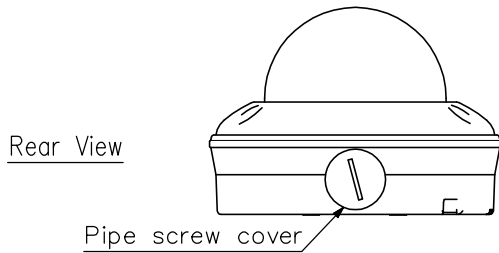
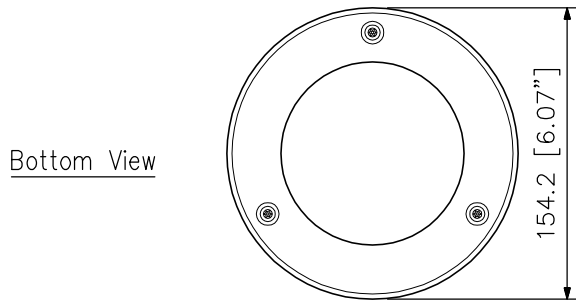
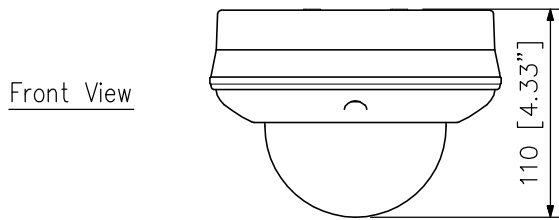
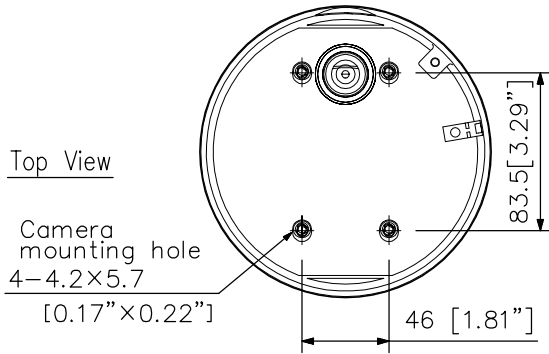
The C-CV854R-3 is a Vandal Resistant Day/Night IR Camera equipped with a 1/3 type CCD. It functions as a color camera (day mode) in bright locations and as a high-sensitivity black & white camera (night mode) in dark locations. Since the camera's built-in infrared LED illuminator lights in night mode, video surveillance is possible even in no light conditions, allowing the camera to be used for around-the-clock surveillance. Noise reduction function enables low noise, clear images to be viewed even under poor lighting conditions. Its dust-proof and waterproof (IP66) construction permits it to be mounted to an outdoor wall or ceiling without using a special device. Since the camera unit is constructed of die-cast aluminum alloy and its dome section is made of polycarbonate, the C-CV854R-3 ensures high resistance to strong impacts. It features a 3-axis (horizontal, vertical and rotation) adjustment mechanism and a 3 X varifocal lens which facilitates adjustment of camera orientation and view angle at the time of installation. The use of an optional heater unit allows the C-CV854R-3 to be used at ambient temperatures as low as -30°C (-22°F).

SPECIFICATIONS

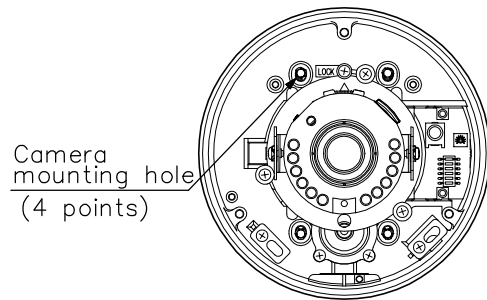
Power Source	For camera: 24 V AC, 50/60 Hz or 12 V DC For heater: 24 V AC, 50/60 Hz
Power Consumption	4 W (300 mA, maximum current: 800 mA)
Image Device	1/3 type IT-CCD
Number of Effective Pixels	768 (H) × 494 (V) (380,000 pixels)
Scanning System	2:1 interlace
Scanning Frequency	Horizontal: 15.734 kHz, Vertical: 59.94 Hz
Monitor Output	VBS 1.0 V(p-p), 75 Ω, RCA pin jack
Video Output	VBS 1.0 V(p-p), 75 Ω, BNC-R jack
Synchronizing System	Internal synchronization
Resolution (at center)	Horizontal: 540 lines (standard) , Vertical: 350 lines
S/N Ratio	50 dB
Minimum Illumination	0.5 lx (50 IRE, color, high-sensitivity switch OFF), 0.2 lx (20 IRE, color, high-sensitivity switch OFF), 0 lx (night mode) *Flickerless: OFF
Threshold Illumination for Mode Switching	Color-to-B/W mode: Approx. 2 lx B/W-to-color mode: Approx. 10 lx (incandescent lamp)
White Balance Mode	ATW/AWB (switch selector)
Focal Length	f = 3.0 - 9.0 mm
Maximum Aperture Ratio	1:1.4 - 2.4
Iris	Auto-iris
Angle of View	Horizontal: 90.3° - 31.9° Vertical: 66.4° - 23.9° Diagonal: 115.4° - 39.8°
Infrared LED's Illumination Range	Indoors: Approx. 18 m (59.06 ft) (high-sensitivity switch OFF), Approx. 25 m (82.02 ft) (high-sensitivity switch ON) Outdoors: Approx. 15 m (49.21 ft) (high-sensitivity switch OFF), Approx. 25 m (82.02 ft) (high-sensitivity switch ON)
Function	Back light compensation, Flickerless function, Iris control, Max. 8 × sensitivity increase (auto/off), Noise reduction (24-hour), Day/night mode (auto selector), Adjustment Switch: ON/OFF (used for focus adjustment)
Water/Dust Protection	IP66
Operating Temperature	-10°C to +50°C (14°F to 122°F) (When an optional heater unit is attached: -30°C to +50°C (-22°F to +122°F))
Operating Humidity	90% RH or less (no condensation)
Applications	Outdoor/Indoor use
Finish	Case, bezel: Die-cast aluminum, light gray, paint Dome cover: PC resin (transparent)
Dimensions	ø154.2 × 110 (H) mm (ø6.07" × 4.33") (excluding the cable)
Weight	1.2 kg (2.65 lb)
Accessory	L-type wrench ⅓", Base gasket ⅓"
Option	Heater unit: C-A854H Flush ceiling mounting bracket: C-BC850U Wall mounting bracket: C-BC850W Pole mounting bracket: C-BC450PM Pole band: YS-60B

Note: No camera mounting screws are supplied.
For mounting, use screws of 4 × 25 mm (0.16" × 0.98") or longer.

■ APPEARANCE



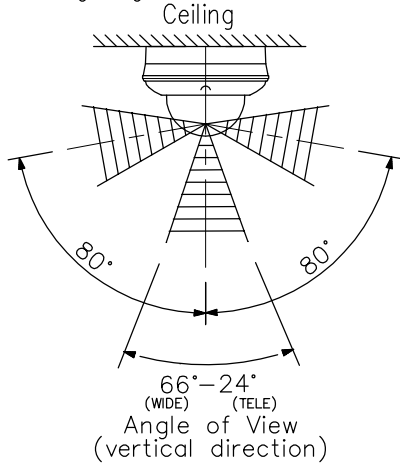
Front view without cover



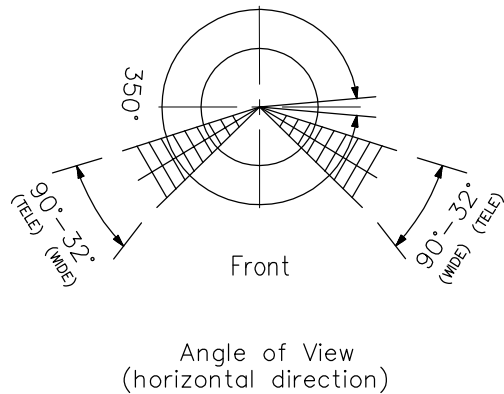
Bottom view without cover

Note: When installing the camera outdoors, the 4 camera mounting holes must be protected to prevent rainwater from leaking into the enclosure.

(Rotating angle to vertical direction)



(Rotating angle to horizontal direction)



UNIT:mm SCALE:1/4

Camera angle setting range