



VANDAL RESISTANT DAY/NIGHT CAMERA

C-CV854D-3(CU)

DESCRIPTION

The C-CV854D-3 is an outdoor-use, high resolution camera equipped with a Day/Night function. It functions as a color camera in the daytime and as a high-sensitivity monochrome camera in darkness, making it ideal for installation in locations that require around-the-clock monitoring. Noise reduction function enables clear image to be viewed in lower noise under poor lighting conditions. Its dust-proof and waterproof (IP66) construction permits it to be mounted to an outdoor wall or ceiling without using a special device to protect the camera against dust or rain. Since the camera unit is constructed of die-cast aluminum alloy and its dome-cover is made of polycarbonate, the C-CV854D-3 ensures high resistance to an impact energy of 50 Joules. It features a 3-axis (horizontal, vertical and rotation) adjustment mechanism and a 3X varifocal lens which facilitate adjustment of camera orientation and view angle at the time of installation. The use of an optional built-in heater unit allows the camera to be used at ambient temperatures as low as -30°C.

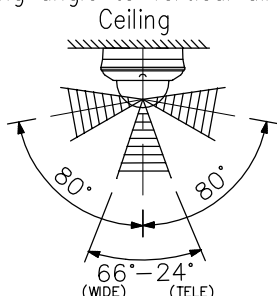
SPECIFICATIONS

Power Source	For camera: 24 V AC, 50/60 Hz or 12 V DC, For heater: 24 V AC, 50/60 Hz	
Power Consumption	4 W (300 mA)	
Image Device	1/3 type IT-CCD	
Number of Effective Pixels	768 (H) X 494 (V) (380,000 pixels)	
Scanning System	2:1 interlace	
Monitor Output	VBS 1.0 V(p-p) 75 Ω, RCA pin jack	
Video Output	VBS 1.0 V(p-p) 75 Ω, BNC-R jack	
Scanning Frequency	Horizontal: 15.734 kHz, Vertical: 59.94 Hz	
Synchronizing System	Internal synchronization	
Resolution	Horizontal: 500 lines (at center), Vertical: 350 lines (at center)	
S/N Ratio	50 dB	
Minimum Illumination	0.5 lx (50 IRE, color operation), 0.1 lx (20 IRE, color operation) 0.05 lx (50 IRE, black-and-white operation, incandescent lamp)	
White Balance Mode	ATW/AWB (switch selector)	
Focal Length	f = 3.0 - 9.0 mm	
Maximum Aperture Ratio	1:1.4 - 2.4	
Iris	Auto-iris	
Angle of View	Horizontal: 90.3° - 31.9°, Vertical: 66.4° - 23.9°, Diagonal : 115.4° - 39.8°	
Adjustment Switch	ON/OFF (used for focus adjustment)	
Day/Night Mode	Automatic/Off (switch selector)	
Other Function	Back light compensation, Shutter speed, Iris control, Max. 4 X sensitivity increase (auto), Noise reduction	
Water/Dust Protection	IP66	
Operating Temperature	-10°C to +50°C (When an optional heater unit is attached: -30°C to +50°C)	
Operating Humidity	Under 90%RH (no dew condensation)	
Applications	Outdoor/Indoor use	
Finish	Case, bezel: Die-cast aluminum, light gray, paint Dome cover: PC resin (transparent)	
Dimensions	ø154.2 X 110 (H) mm (excluding the cables)	
Weight	1.1 kg	
Accessory	L-type wrench *1, Base gasket *1	
Option	Heater unit: C-A854H	

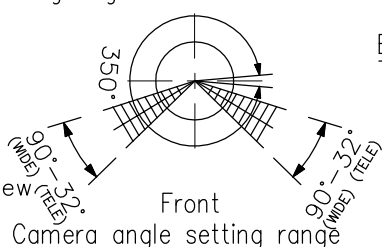
Note: No camera mounting screws are supplied.
For mounting, use screws of 4 X 25 mm or longer.

APPEARANCE

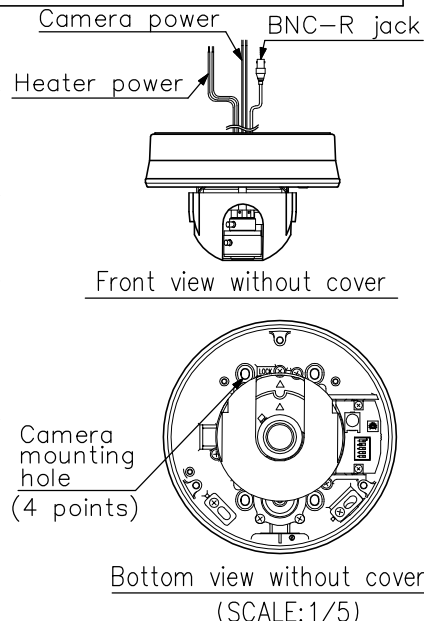
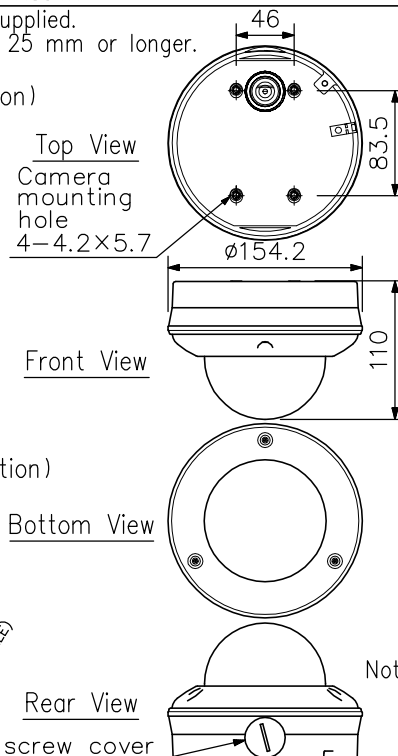
(Rotaring angle to vertical direction)



(Rotaring angle to horizontal direction)



UNIT: mm SCALE: 1/6



Note: When installing the camera outdoors, the 4 camera mounting holes must be protected to prevent rainwater from leaking into the enclosure.