

DESCRIPTION

VS-910DI Direct Select I/O Card is an interface card that enables calling party indication, external equipment control and Direct Select function in combination with the VS-900DI Direct Select Control Card.

SPECIFICATIONS

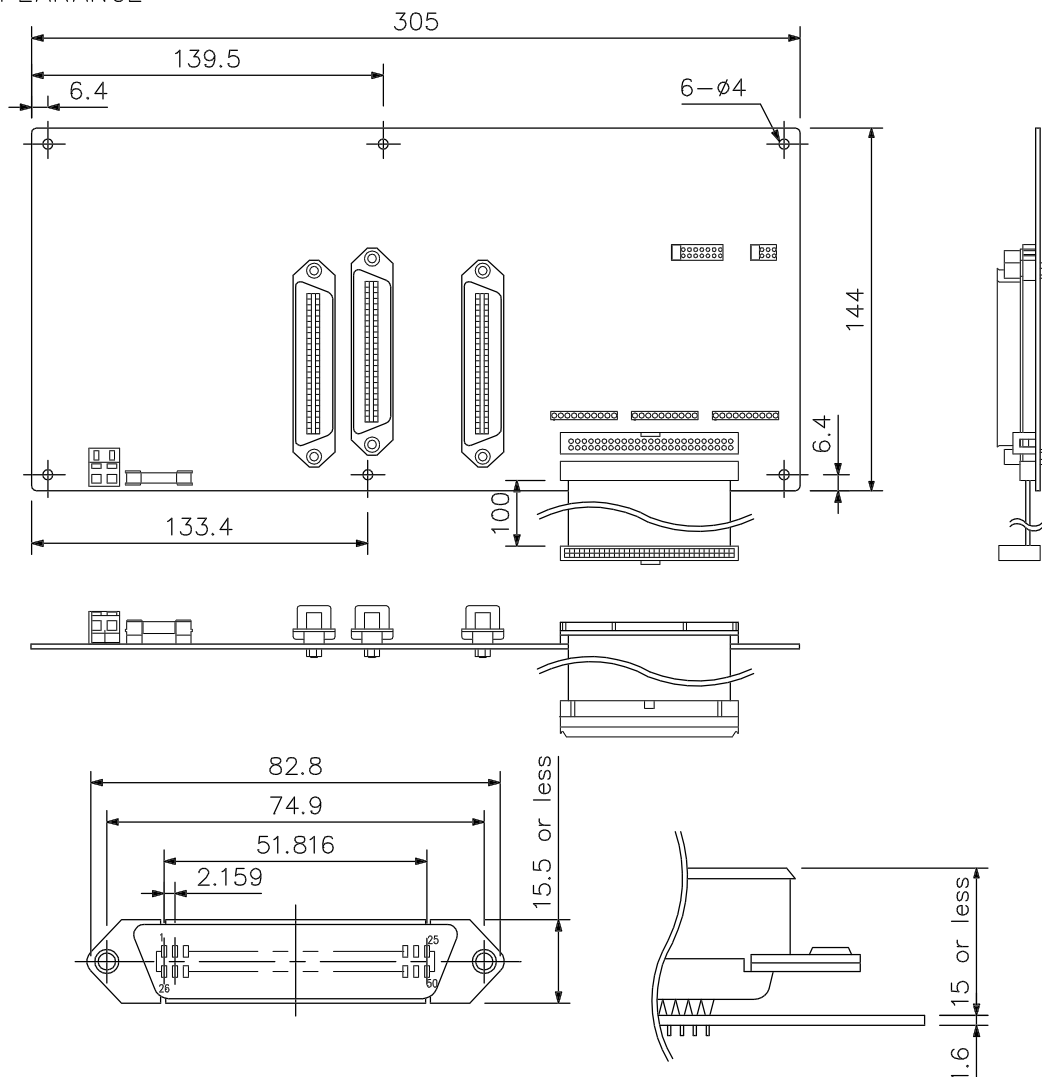
Power Source	24 V DC, 2-pole screwless terminal*
Current Consumption	1 A
Maximum Number of VS-910DIs per VS-900DI	32
Maximum Number of Ports per VS-910DI	32 switch inputs (for calling and response switch operation) 32 open collector outputs (for LED indication of incoming and outgoing calls) 32 relay outputs (call-or response-activated relay output)
Maximum Number of Ports per Full VS-910DI-Mounted System	1024 switch inputs (for calling and response switch operation) 1024 open collector outputs (for LED indication of incoming and outgoing calls) 1024 relay outputs (call-or response-activated relay output)
Switch Input	32 inputs (for custom-made direct select key operation for calling or response) dry contact, open voltage: 5 V DC, short-circuit current: 0.5 mA, contact resistance: Under 50 Ω, 50-pole "CHAMP®" IDC connector (Amphenol connector)
Open Collector Output	32 outputs (for LED indication of incoming and outgoing calls) withstand voltage: 24 V DC, control current: Approx. 100 mA, 50-pole "CHAMP®" IDC connector (Amphenol connector)
Relay Output	32 relay outputs, call-or response-activated relay output, normal open, 24 V DC, 1 A, 50-pole "CHAMP®" IDC connector (Amphenol connector)
Operating Temperature	0°C to +40°C
Weight	460 g

* Usable cable

Bared-core length: 5 - 6 mm

Cross section area: 0.14 - 2.5 mm²

APPEARANCE



UNIT:mm SCALE:1/3

(SCALE:1/2)