

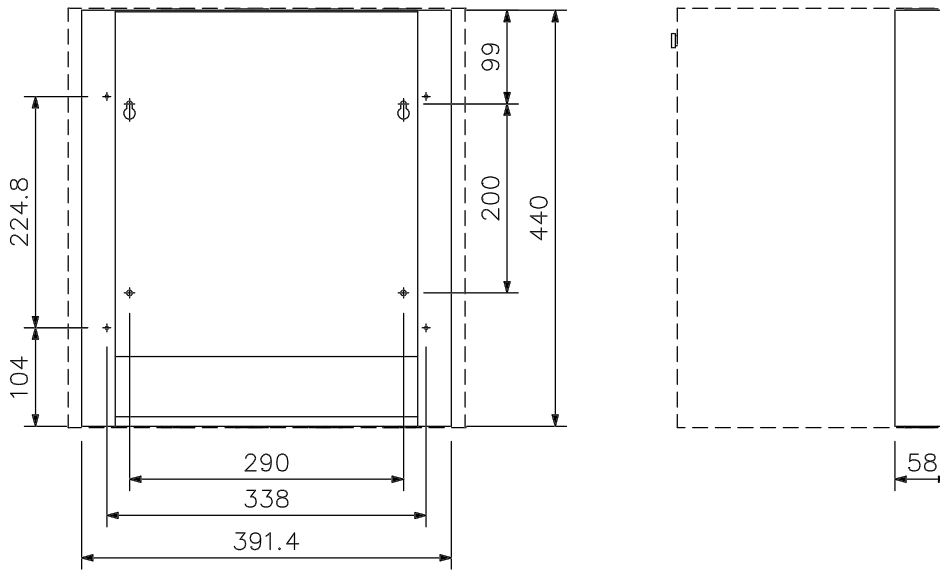
■DESCRIPTION

The YC-303 is used when mounting the main frame on the wall.

■SPECIFICATIONS

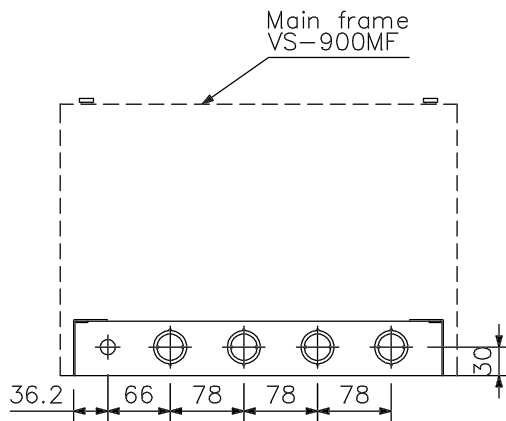
Finish	Steel, black, electrodeposition paint
Dimensions	391.4 (W) × 440 (H) × 58 (D) mm
Weight	2.1 kg
Accessory	Main frame mounting screw4, Wall mounting screw (wood screw, 5 × 38)4

■APPEARANCE



Front View

Side View



Bottom View

UNIT:mm SCALE: 1/8