



SR-MF1/SR-ML1 Mechanically Steerable Line Array Speaker System



Advanced Solutions for the Slim Line Array Speaker System

Freely configurable system designed around a proprietary built-in steering mechanism that enables simplified manual vertical angle adjustment.

With a low-frequency expander speaker added, the system provides powerful sound across an extended frequency range.

TOA has responded to user feedback by developing a unique new manual steering mechanism for a slim line array speaker system. The addition of a low frequency expander extends the frequency range, adding depth to sound reproduction for both speech and music, while the steering mechanism makes it easy to adjust the speakers' tilt and dispersion angles to optimize the sound's orientation with respect to the audience.

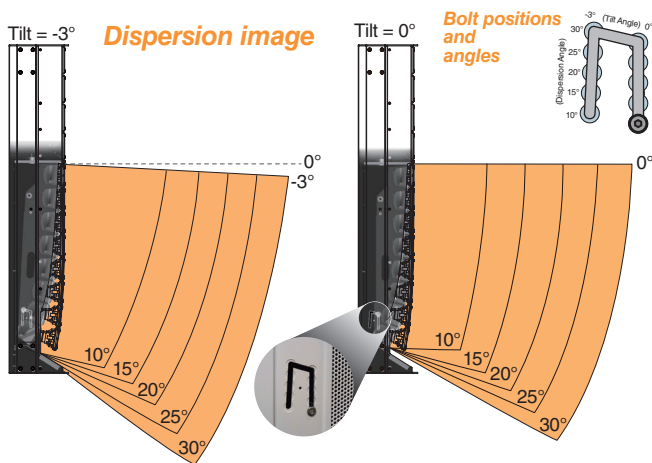
Powerful low frequency sound

The addition of a low frequency expand driver (SR-ML1B/ML1W) extends the frequency range, enhancing the slim line array speaker system's performance by adding depth to the sound.

Adjustable tilt and dispersion angles

Optimal sound coverage is assured by an original built-in steering mechanism that permits manual adjustment of the tilt and dispersion angles.

- 10 patterns available: Dispersion angle adjustable from 10 to 30 degrees in 5-degree increments with tilt angle set at 0 or -3 degrees.



The system provides uniform sound output with little attenuation over distance and permits operators to combine speakers freely to suit the conditions. Together, these features ensure the clear audibility required by houses of worship, auditoriums, airports and other venues with complex acoustic conditions. With its slim styling and availability in a choice of two colors, the system also blends in seamlessly with virtually any interior décor.

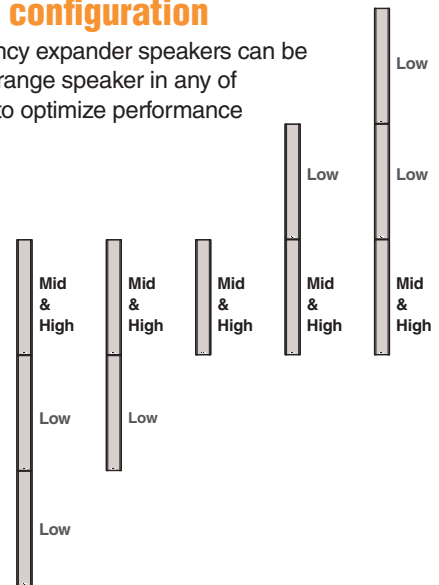
Clear, uniform sound

This slim system utilizes the line array speaker's characteristic uniform sound with little attenuation over distance.

Flexible system configuration

One or two low-frequency expander speakers can be combined with the full-range speaker in any of several configurations to optimize performance for specific needs.

Combinations



Low profile

The system's slim-line design featuring 4.5"-wide (114mm) enclosures and its availability in a choice of black or white enable it to blend in nicely with the interior décor.

Specifications

Model No.	SR-MF1B/SR-MF1W	SR-ML1B/SR-ML1W
Enclosure	Sealed type	Bass-reflex type
Power Handling Capacity	Continuous program: 240W	
Rated Impedance	12Ω	24Ω
Sensitivity	89 dB (1W, 1m equivalent, measured at 8m)	84 dB (1W, 1m equivalent, measured at 8m)
Frequency Response	130Hz – 18kHz (when using an optional processor)	60 – 700Hz (when using an optional processor)
Speaker Components	2.8" (7cm) cone-type × 4 and 2" (5cm) cone-type × 8	3.5" (9cm) cone-type × 4
Directivity Angle	Horizontal: 100° Vertical: Tilt 0 or -3°, Dispersion: 10, 15, 20, 25 or 30°	—
Input Terminal	Removable screw terminal	
Finish	Enclosure: Aluminium Front Grille: SR-MF1B; Punched-steel plate, black paint SR-MF1W; Punched-steel plate, white paint	Enclosure: Aluminium Front Grille: SR-ML1B; Punched-steel plate, black paint SR-ML1W; Punched-steel plate, white paint
Dimensions	4.49" (W) × 34.33" (H) × 6.22" (D) (114 (W) × 872 (H) × 158 (D)mm)	
Weight	18.5 lb (8.4kg)	16.1 lb (7.3kg)



TOA Corporation

www.toa.jp

Specifications are subject to change without notice.
(1405) 833-61-100-05-00 u