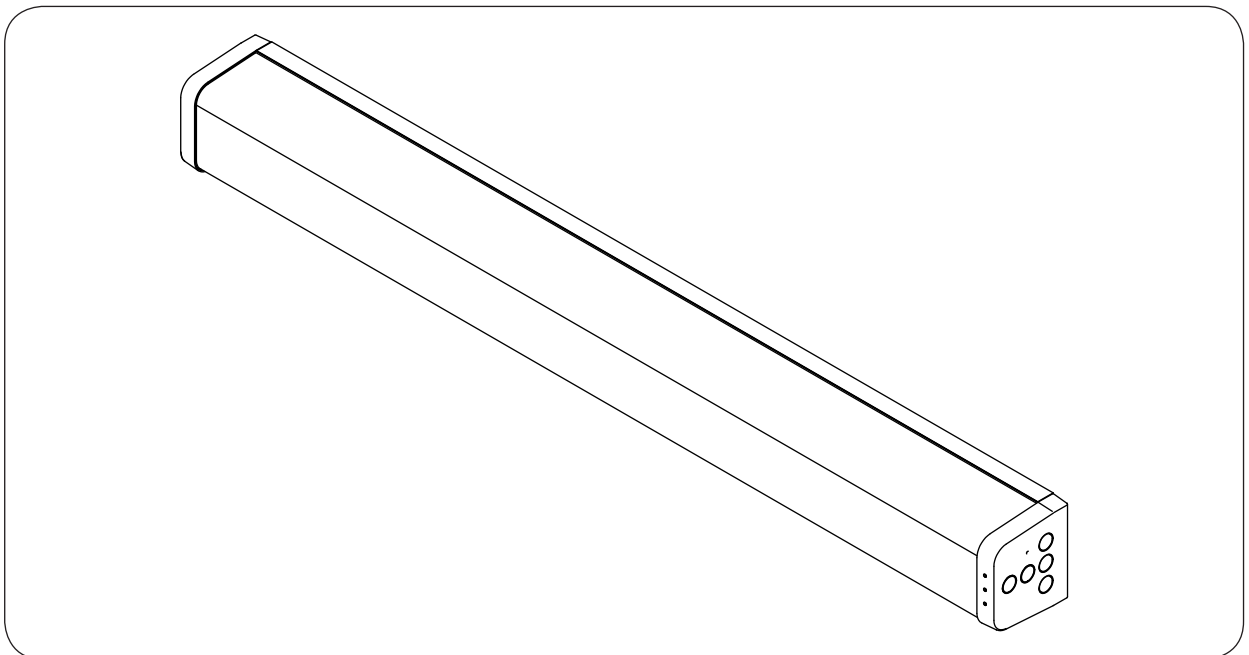




INSTRUCTION MANUAL

# INTEGRATED AUDIO COLLABORATION SYSTEM

## AM-CF1B, AM-CF1W



Thank you for purchasing TOA's Integrated Audio Collaboration System.  
Please carefully follow the instructions in this manual to ensure long, trouble-free use of your equipment.

# TABLE OF CONTENTS

<b>1. SAFETY PRECAUTIONS</b> .....	3
<b>2. GENERAL DESCRIPTION</b> .....	5
<b>3. FEATURES</b> .....	5
<b>4. NOMENCLATURE AND FUNCTIONS</b> .....	6
<b>5. CONNECTION EXAMPLES</b> .....	8
<b>6. INSTALLATION</b> .....	8
<b>7. CONNECTIONS</b> .....	10
7.1. AC Adapter Connection .....	10
7.2. Network Connection .....	11
7.3. PC and USB Devices Connections .....	11
7.4. AUX Input Connection .....	11
7.5. AUX Output Connection .....	12
7.6. Control Input and Output Connections .....	12
7.7. Codec Input and Output Connections .....	13
7.8. Removable Terminal Plug Connection .....	13
<b>8. SYSTEM SETTINGS</b> .....	14
8.1. Overview of System Settings .....	14
8.2. System Requirements .....	14
8.3. Connections .....	15
<b>9. OPERATION</b> .....	16
9.1. Turning Power ON and OFF .....	16
9.2. Switching between Power Standby and Normal Operation modes .....	16
9.3. Turning Power OFF .....	16
9.4. Bluetooth Pairing .....	17
9.5. Volume Adjustment .....	17
9.6. Microphone Muting .....	18
<b>10. CONTACT INPUT AND OUTPUT FUNCTIONS</b> .....	18
10.1. Terminal Control Method (Momentary/Latch) .....	18
10.2. Contact Input Settings .....	19
10.3. Contact Output Settings .....	19
<b>11. INITIALIZATION</b> .....	20
11.1. Initializing All Settings .....	20
11.2. Initializing a Portion of the Settings .....	21
<b>12. SOFTWARE LICENSE INFORMATION</b> .....	22
<b>13. SPECIFICATIONS</b> .....	23
• Accessories .....	23

# 1. SAFETY PRECAUTIONS

- Before installation or use, be sure to carefully read all the instructions in this section for correct and safe operation.
- Be sure to follow all the precautionary instructions in this section, which contain important warnings and/or cautions regarding safety.
- After reading, keep this manual handy for future reference.

## Safety Symbol and Message Conventions

Safety symbols and messages described below are used in this manual to prevent bodily injury and property damage which could result from mishandling. Before operating your product, read this manual first and understand the safety symbols and messages so you are thoroughly aware of the potential safety hazards.



### WARNING

Indicates a potentially hazardous situation which, if mishandled, could result in death or serious personal injury.



### CAUTION

Indicates a potentially hazardous situation which, if mishandled, could result in moderate or minor personal injury, and/or property damage.



### WARNING

#### When Installing the Unit

- Do not expose the unit to rain or an environment where it may be splashed by water or other liquids, as doing so may result in fire or electric shock.
- Use the unit only with the voltage specified on the unit. Using a voltage higher than that which is specified may result in fire or electric shock.
- Do not cut, kink, otherwise damage nor modify the power supply cord. In addition, avoid using the power cord in close proximity to heaters, and never place heavy objects -- including the unit itself -- on the power cord, as doing so may result in fire or electric shock.
- Install the unit only in a location that can structurally support the weight of the unit and the mounting bracket. Doing otherwise may result in the unit falling down and causing personal injury and/or property damage.
- Since the unit is designed for indoor use, do not install it outdoors. If installed outdoors, the aging of parts causes the unit to fall off, resulting in personal injury. Also, when it gets wet with rain, there is a danger of electric shock.
- Do not use other methods than specified to mount the bracket. Extreme force is applied to the unit and the unit could fall off, possibly resulting in personal injuries.
- Use nuts and bolts that are appropriate for the wall's structure and composition. Failure to do so may cause the unit to fall, resulting in material damage

and possible personal injury.

- Tighten each nut and bolt securely. Ensure that the bracket has no loose joints after installation to prevent accidents that could result in personal injury.
- Use the specified mounting bracket in combination. Doing otherwise may cause the unit or component to fall off, resulting in personal injury.
- Do not mount the unit in locations exposed to constant vibration. The mounting bracket can be damaged by excessive vibration, potentially causing the unit to fall, which could result in personal injury.

#### When the Unit is in Use

- Should the following irregularity be found during use, immediately switch off the power, disconnect the power supply plug from the AC outlet and contact your nearest TOA dealer. Make no further attempt to operate the unit in this condition as this may cause fire or electric shock.
  - If you detect smoke or a strange smell coming from the unit
  - If water or any metallic object gets into the unit
  - If the unit falls, or the unit case breaks
  - If the power supply cord is damaged (exposure of the core, disconnection, etc.)
  - If it is malfunctioning (no tone sounds)
- To prevent a fire or electric shock, never open nor remove the unit case as there are high voltage components inside the unit.
- Do not place cups, bowls, or other containers of liquid or metallic objects on top of the unit. If they accidentally spill into the unit, this may cause a fire or electric shock.

- Do not touch a power supply plug during thunder and lightning, as this may result in electric shock.
- To prevent the electromagnetic wave from badly influencing medical equipment, make sure to switch off the unit's power when placing it in close proximity to the medical equipment.
- Do not use the unit within 15 cm proximity to a pacemaker implant. In such cases, be sure to turn off the unit's power. Electromagnetic signals emitted by the unit could adversely affect pacemaker operation.

## **CAUTION**

### **When Installing the Unit**

- Never plug in nor remove the power supply plug with wet hands, as doing so may cause electric shock.
- When unplugging the power supply cord, be sure to grasp the power supply plug; never pull on the cord itself. Operating the unit with a damaged power supply cord may cause a fire or electric shock.
- When moving the unit, be sure to remove its power supply cord from the wall outlet. Moving the unit with the power cord connected to the outlet may cause damage to the power cord, resulting in fire or electric shock. When removing the power cord, be sure to hold its plug to pull.
- Avoid installing the unit in humid or dusty locations, in locations exposed to the direct sunlight, near the

heaters, or in locations generating sooty smoke or steam as doing otherwise may result in fire or electric shock.

- Avoid touching the unit's sharp metal edge to prevent injury.

### **When the Unit is in Use**

- Do not place heavy objects on the unit as this may cause it to fall or break which may result in personal injury and/or property damage. In addition, the object itself may fall off and cause injury and/or damage.
- Do not operate the unit for an extended period of time with the sound distorting. Doing so may cause the built-in speakers to heat, resulting in a fire.
- Use the AC adapter with the designated specification for the unit. Note that the use of other adapter may cause a fire.
- If dust accumulates on the power supply plug or in the wall AC outlet, a fire may result. Clean it periodically. In addition, insert the plug in the wall outlet securely.
- Switch off the power, and unplug the power supply plug from the AC outlet for safety purposes when cleaning or leaving the unit unused for 10 days or more. Doing otherwise may cause a fire or electric shock.
- Do not stand or sit on, nor hang down from the unit as this may cause it to fall down or drop, resulting in personal injury and/or property damage.

## **FCC REQUIREMENTS**

### **Note**

This equipment has been tested and found to comply with the limits for a Class B digital device, pursuant to part 15 of the FCC Rules. These limits are designed to provide reasonable protection against harmful interference in a residential installation. This equipment generates, uses and can radiate radio frequency energy, and if not installed and used in accordance with the instructions, may cause harmful interference to radio communications. However, there is no guarantee that interference will not occur in a particular installation. If this equipment does cause harmful interference to radio or television reception, which can be determined by turning the equipment off and on, the user is encouraged to try to correct the interference by one or more of the following measures:

- Reorient or relocate the receiving antenna
- Increase the separation between the equipment and receiver
- Connect the equipment into an outlet on a circuit different from that to which the receiver is connected
- Consult the dealer or an experienced radio/TV technician for help

### **Modifications**

Any modifications made to this device that are not approved by TOA Corporation may void the authority granted to the user by the FCC to operate this equipment.

This device complies with Industry Canada's license-exempt RSS standard(s). Operation is subject to the following two conditions:

- (1) this device may not cause interference, and
- (2) this device must accept any interference, including interference that may cause undesired operation of the device.

Le présent appareil est conforme aux CNR d'Industrie Canada applicables aux appareils radio exempts de licence. L'exploitation est autorisée aux deux conditions suivantes :

- (1) l'appareil ne doit pas produire de brouillage, et
- (2) l'utilisateur de l'appareil doit accepter tout brouillage radioélectrique subi, même si le brouillage est susceptible d'en compromettre le fonctionnement.

Under Industry Canada regulations, this radio transmitter may only operate using an antenna of a type and maximum (or lesser) gain approved for the transmitter by Industry Canada. To reduce potential radio interference to other users, the antenna type and its gain must be so chosen that the equivalent isotropically radiated power (e.i.r.p.) is not more than that necessary for successful communication.

Conformément à la réglementation d'Industrie Canada, le présent émetteur radio peut fonctionner avec une antenne d'un type et d'un gain maximal (ou inférieur) approuvé pour l'émetteur par Industrie Canada. Dans le but de réduire les risques de brouillage radioélectrique à l'intention des autres utilisateurs, il faut choisir le type d'antenne et son gain de sorte que la puissance isotrope rayonnée équivalente (p.i.r.e.) ne dépasse pas l'intensité nécessaire à l'établissement d'une communication satisfaisante.

Warning: This equipment is compliant with Class A of CISPR32. In a residential environment this equipment may cause radio interference.

注意！

依據 低功率電波輻射性電機管理辦法

第十二條 經型式認證合格之低功率射頻電機，非經許可，公司、商號或使用者均不得擅自變更頻率、加大功率或變更原設計之特性及功能。

第十四條 低功率射頻電機之使用不得影響飛航安全及干擾合法通信；

經發現有干擾現象時，應立即停用，並改善至無干擾時方得繼續使用。

前項合法通信，指依電信規定作業之無線電信。

低功率射頻電機須忍受合法通信或工業、科學及醫療用電波輻射性電機設備之干擾。

## 2. GENERAL DESCRIPTION

The AM-CF1B and AM-CF1W Integrated Audio Collaboration Systems are designed to be used in huddle rooms or workspaces.

Software web conferences can be carried out more effectively over laptops by connecting the AM-CF1 to the PCs and web cameras. Even when the conference has multiple participants, not only can each participant's voice be accurately picked up, but each other party's voice can also be reproduced clearly.

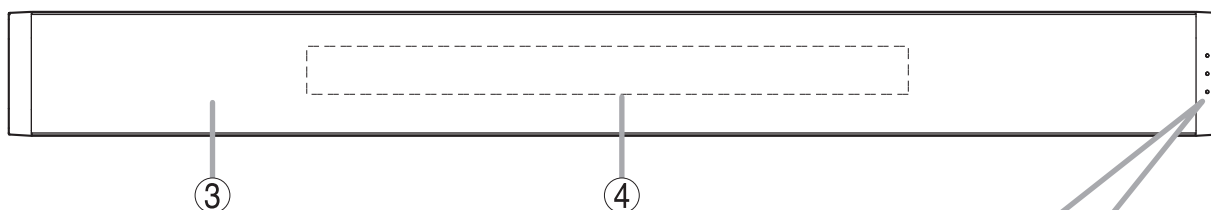
**Note:** The AM-CF1B and AM-CF1W are collectively referred to as "AM-CF1" in this manual.

## 3. FEATURES

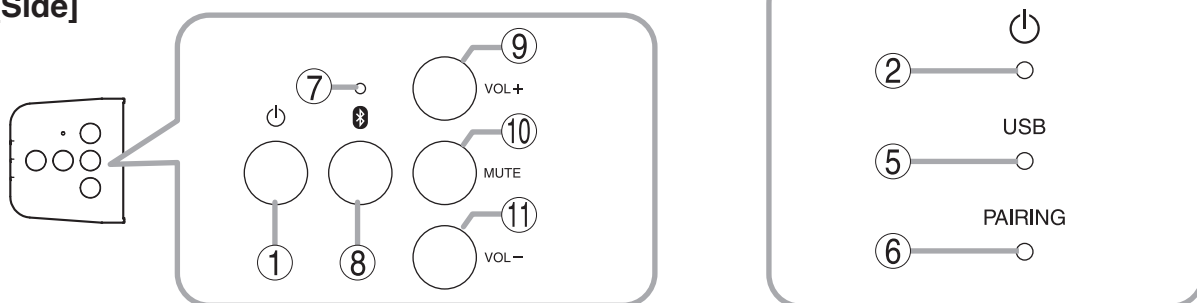
- TOA's unique algorithm detects the speaker's position and controls the array microphone's directivity in real time, allowing the speaker's voice to be more effectively picked up.
- The sound source direction detected by the microphone can be displayed on the front panel LED indicator to inform the speaker that his or her voice is being picked up.
- A built-in USB hub allows connection to web cameras, etc.
- Various settings can be performed for echo cancellation, equalization and the like using a web app.

## 4. NOMENCLATURE AND FUNCTIONS

[Front]



[Side]



### 1. Power switch

When the unit is in normal operation mode, hold down this switch for 2 seconds to switch the unit to power standby mode. When in power standby mode, hold down this switch for 1 second to switch back to normal operation mode. To turn OFF the AM-CF1, hold down this switch for over 10 seconds.

Power is always supplied regardless of the normal operation/power standby/turn-OFF modes.

### 2. Power indicator (blue/green/yellow/red)

Operating Status		Lighting Status
[When power is ON]	Start processing in progress	Blue ↓ Green
	Preset data review in progress	Yellow
	Normal operation mode	Green
Power standby mode		Red
Power OFF		Extinguished

### 3. Microphone & speaker section

An array microphone and a 2-way stereo speaker are housed inside the front panel.

### 4. Multifunction indicator (green/red)

This indicator is housed inside the front panel and provide 3 different displays using 7 LEDs. Lighting operations differ depending on the contents being displayed.

- (1) When displaying the microphone input level:  
When the AM-CF1 unit is in use at a web conference, etc., only one LED facing in the direction of the speaker's voice lights green. The LED's brightness varies depending on the microphone's input level and the louder the input level, the brighter it shines. The LED remains unlit when the microphone input is small or the microphone input level display function is set to OFF.
- (2) When the microphone is muted:  
When the Mute switch (10) on the side panel is pressed and the microphone output is muted, the indicator lights red. Whether a single LED or an LED bar light can be selected in the web app settings. (See p. 14.)
- (3) When adjusting the output volume:  
The indicator lights green when changing the output volume using the Volume Up (9) or Down (11) switches located on the side panel. Current output volume setting status is displayed. (See p. 17.)

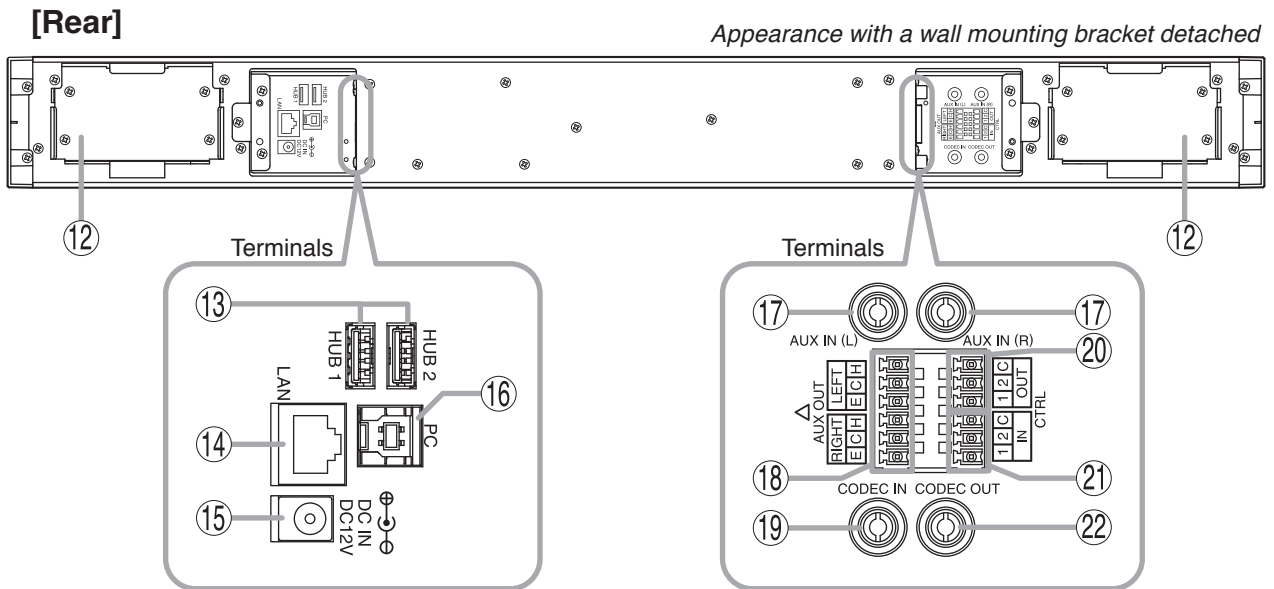
### 5. USB connection indicator (green/blue)

Lights green when a PC is connected to the PC USB port (16).

Remains lit blue after flashing green when all settings are initialized. (See p. 20.)

Remains lit blue after flashing blue whenever a portion of the settings is initialized. (See p. 21.)

- 6. Bluetooth Indicator (Blue)**  
Remains lit while Bluetooth is connected.  
Flashes during pairing registration.
- 7. Reset Switch**  
Used to reset the AM-CF1 unit.
- 8. Bluetooth Pairing Switch**  
Press this key when pairing with a Bluetooth-compatible device. Pressing this key while the Bluetooth is connected cuts off the Bluetooth.
- 9. Volume Up Switch**  
Increases the volume of the AM-CF1 unit's internal speaker when pressed.
- 10. Mute Switch**  
Mutes sound picked up at the microphone.
- 11. Volume Down Switch**  
Decreases the volume of the AM-CF1 unit's internal speaker when pressed.

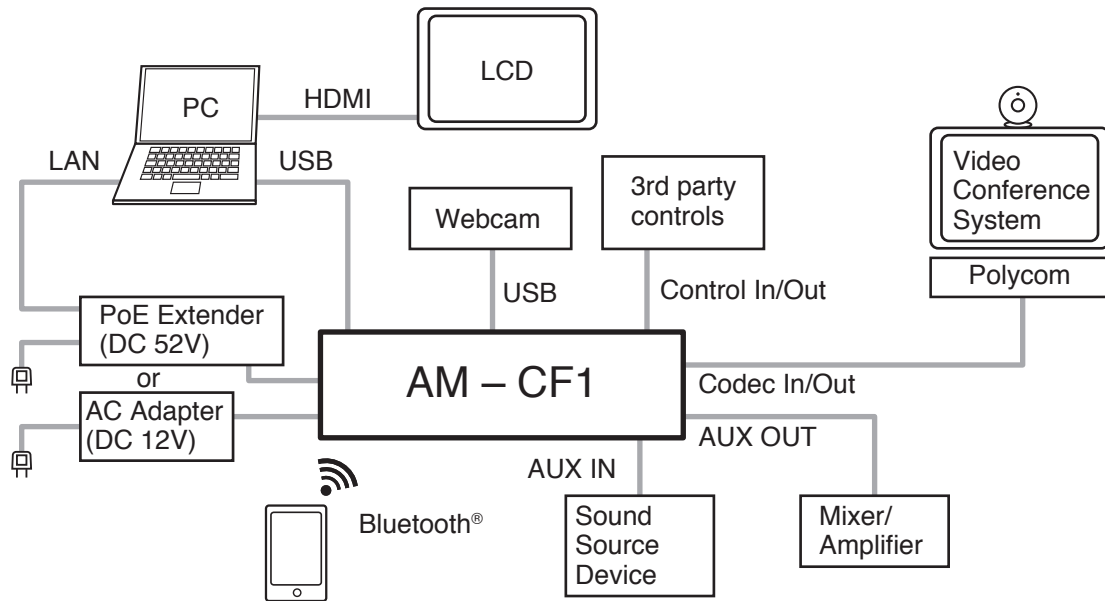


- 12. Mounting bracket connector**  
Used to mount the AM-CF1 unit to a wall in combination with the supplied wall mounting bracket.
- 13. USB ports**  
USB devices such as a web camera or smart board can be connected to these USB 3.0-compatible ports.
- 14. Network connection terminal**  
Connects to networks that support 10BASE-T or 100BASE-TX.  
When connecting the PoE extender, use the following:  
PD-9501GR/AC-JP (made by Microsemi)
- 15. Power input terminal**  
Connect the specified AC adapter.  
(See p. 10.)
- 16. PC USB port**  
Connect a PC to this USB 3.0-compatible port.
- 17. AUX input jacks**  
RCA pin jack x 2  
-10 dB\*<sup>1</sup>, 10 kΩ, unbalanced type, stereo
- 18. AUX output block**  
Removable terminal block (6 pins)  
+4 dB\*<sup>2</sup>, 600 Ω, balanced (electronically-balanced) type, stereo
- 19. Codec input jack (monaural input)**  
RCA pin jack, -10 dB\*<sup>1</sup>, 10 kΩ, unbalanced type
- 20. Control output block**  
Removable terminal block (6 pins). Make contact output using a relay.  
The relay's contact rating is as follows:  
Withstand voltage: 40 V DC  
Control current: 2 – 300 mA
- 21. Control input block**  
Removable terminal block (6 pins). No-voltage make contact input.  
Short-circuit current: 2 mA or less  
Open-circuit voltage: 12 V DC or less
- 22. Codec output jacks (monaural)**  
RCA pin jack, -10 dB\*<sup>1</sup>, 600 Ω, unbalanced type

\*1 0 dB = 1 V

\*2 0 dB = 0.775 V

## 5. CONNECTION EXAMPLES



## 6. INSTALLATION

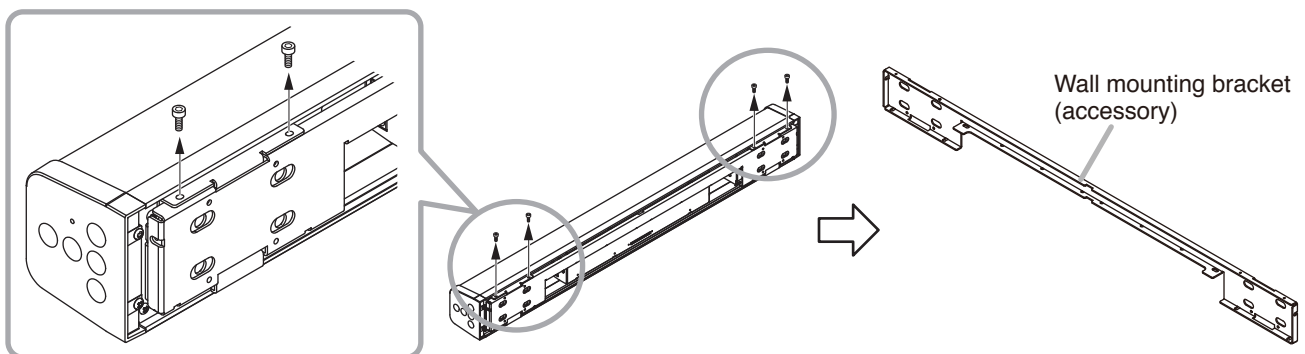
Follow the procedures below to mount the AM-CF1 unit to a wall:



### WARNING

Be sure to use the following wall mounting brackets and screws. If hardware other than that mentioned below is used, the unit could fall down, potentially resulting in damage and personal injury.

**Step 1.** Remove the 4 screws fixing the wall mounting bracket as illustrated below and detach the bracket from the AM-CF1 unit.





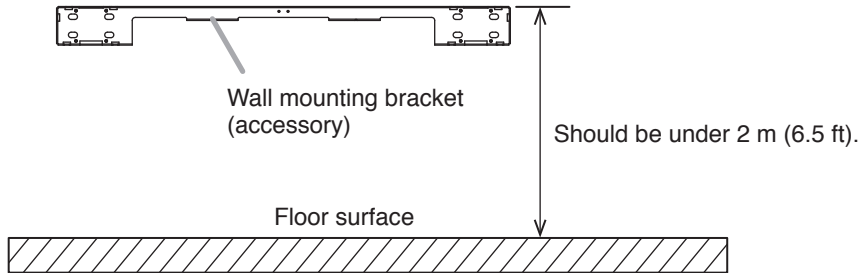
**Step 2.** Attach the supplied wall mounting bracket to a wall.

**⚠ WARNING**

Failure to strictly observe the following instructions could cause the AM-CF1 unit to fall, potentially resulting in personal injury.

- Install the unit only in a location that can structurally support the weight of the unit and the mounting bracket.
- Use nuts and bolts that are appropriate for the wall's structure and composition.

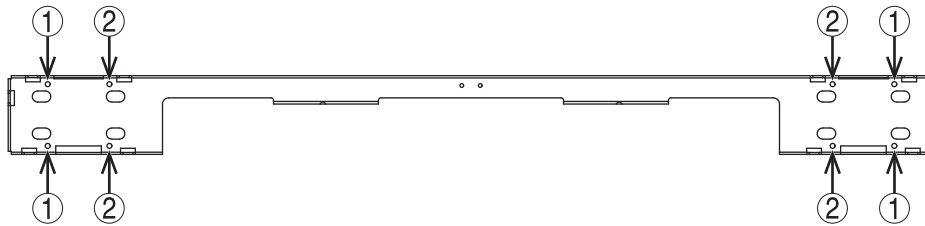
Separately prepare the anchor screws/bolts and other components needed for the construction work required to attach the mounting bracket to the wall. Ensure that the mounting height is under 2 m (6.5 ft).



**[When attaching to a wall]**

Referring to the figure below, use at least four of the mounting bracket's  $\varnothing 4$  mm screw holes (① or ②) to firmly mount the bracket so that it does not come loose.

Recommended screws: 3.8 mm or #6 (0.138") drywall screws of over 30 mm or 1-3/16" in length



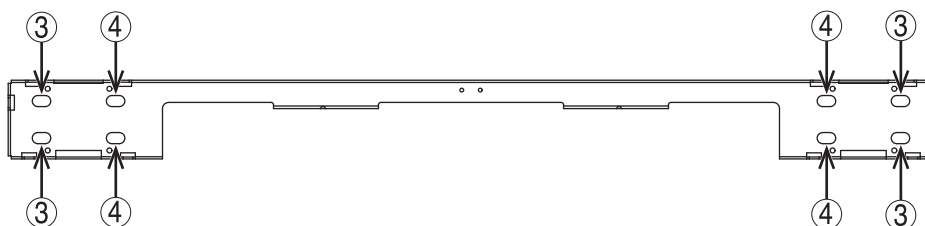
**Note**

Screw the bracket into place, positioning the screws where pillars are located. If no pillars exist, use the appropriate anchor bolts for the wall material.

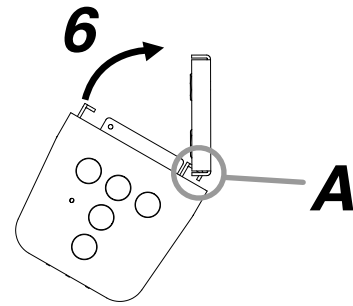
**[When attaching to a TV mounting bracket or the like]**

Referring to the figure below, use at least 4 of the oval holes (③ or ④) in the mounting bracket to attach the bracket so that it does not come loose.

Recommended screws: M6 or 1/4" binding head machine screws of over 15 mm or 5/8" in length



**Step 3.** Hook the unit's lower mounting tab (A in the figure at right) into the mounting bracket mounted on the wall.

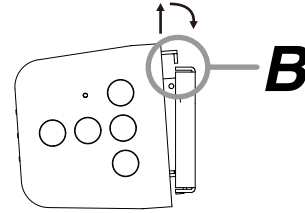


**Step 4.** Make necessary connections.  
For connection method, see p. 10.

**Step 5.** Bind connected wires using a tying tool or the like.

**Step 6.** After connection is completed, tilt the unit upward with the tab hooked in **Step 3** as a supporting point.

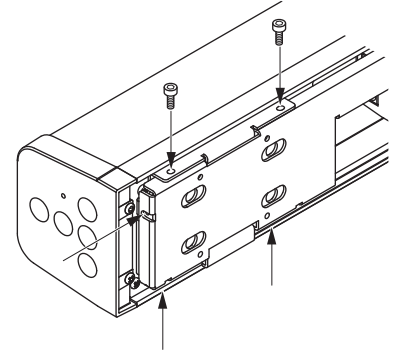
**Step 7.** If the upper tab (B in the figure at right) contacts the bracket on the wall, shift the unit slightly upward and hook the upper tab to the bracket on the wall.



**Step 8.** Secure the unit to the bracket using the screws removed in **Step 1**.

**Note**

Screws can be installed not only from the upward direction, but also from the side or downward direction.



## 7. CONNECTIONS

### 7.1. AC Adapter Connection

Connect the specified AC adapter to the AM-CF1's power input terminal.

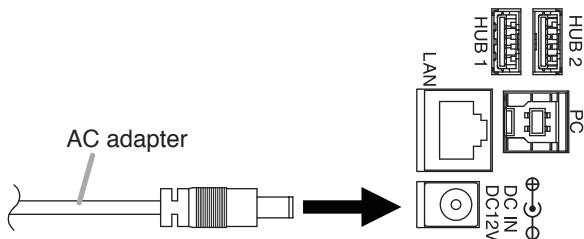
**Notes on AC adapter**

3CU or H version: Use the supplied AC adapter.

W version: Use the AD-5000-6 AC adapter or its equivalent. Usable AC Adapter is as follows;  
Output: 12 V DC, 5 A, positive tip polarity

**Note**

Do not connect the AC adapter to the unit when the PoE extender is connected. Doing so may cause the unit to fail.



## CAUTION

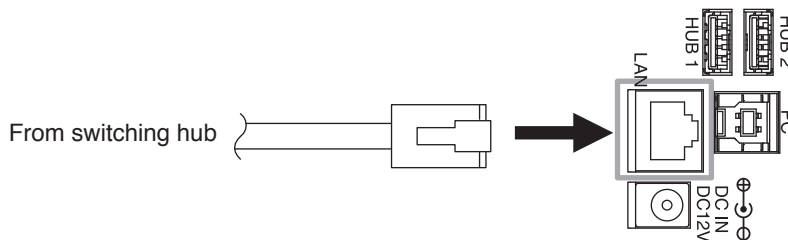
For AC adapters, use the adapter with the designated specification. The use of other adapters could result in fire or other possible damage.

## 7.2. Network Connection

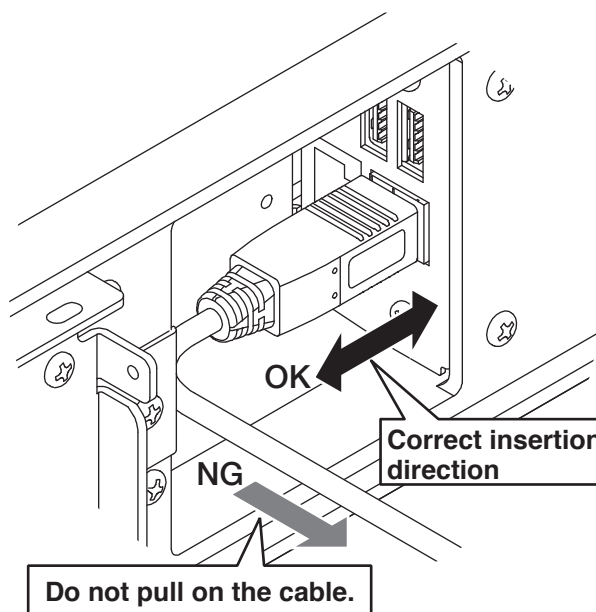
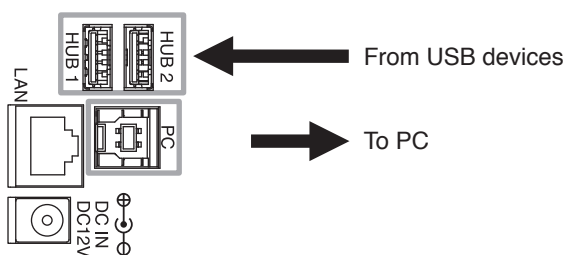
The AM-CF1 automatically distinguishes between 10BASE-T and 100BASE-TX networks and establishes a connection. For this connection, use a straight UTP Category 5 or greater LAN (Ethernet) cable terminated with an RJ-45 connector.

### Note

Do not connect the PoE extender to the unit when the AC adapter is connected. Doing so may cause the unit to fail.



## 7.3. PC and USB Devices Connections



### Notes on PC Port Connection

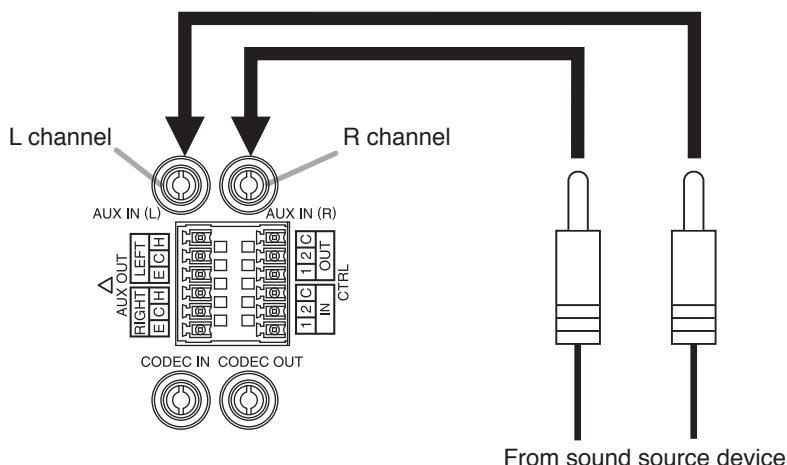
- (1) Handle connectors with care because excessive external force may damage the connectors.
- (2) To extract the plug, hold the plug body itself and remove it straight away from the receptacle. Do not pull on the cable to extract the plug as this may damage the connector.

## 7.4. AUX Input Connection

AUX input jacks are intended exclusively for stereo input (LINE level).

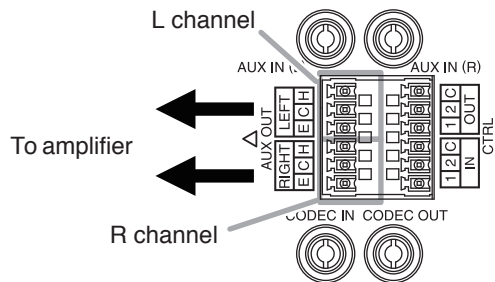
[AUX input]  
RCA pin jack x2  
-10 dB\*, 10 kΩ, unbalanced

\* 0 dB = 1 V



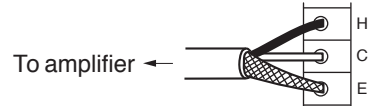
## 7.5. AUX Output Connection

Use the supplied removable terminal plugs (6 pins) for connection.  
 AUX output is set to LINE level input.  
 For removable terminal plug connections, see p. 13.

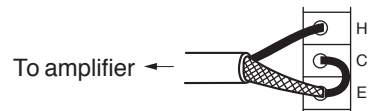


[AUX output]  
 Removable terminal block (6 pins)  
 +4 dB\*, 600 Ω,  
 balanced (electronically-balanced)  
 \* 0 dB = 0.775 V

[Using a 2-core shielded wire]



[Using a single-core shielded wire]

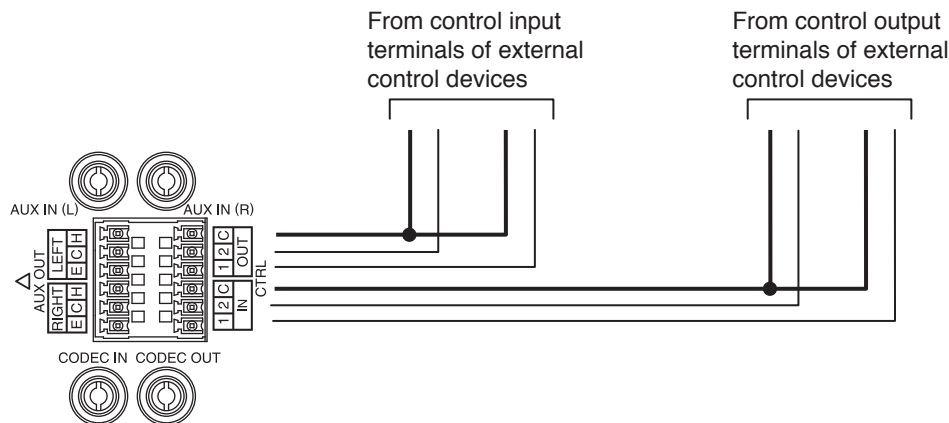


## 7.6. Control Input and Output Connections

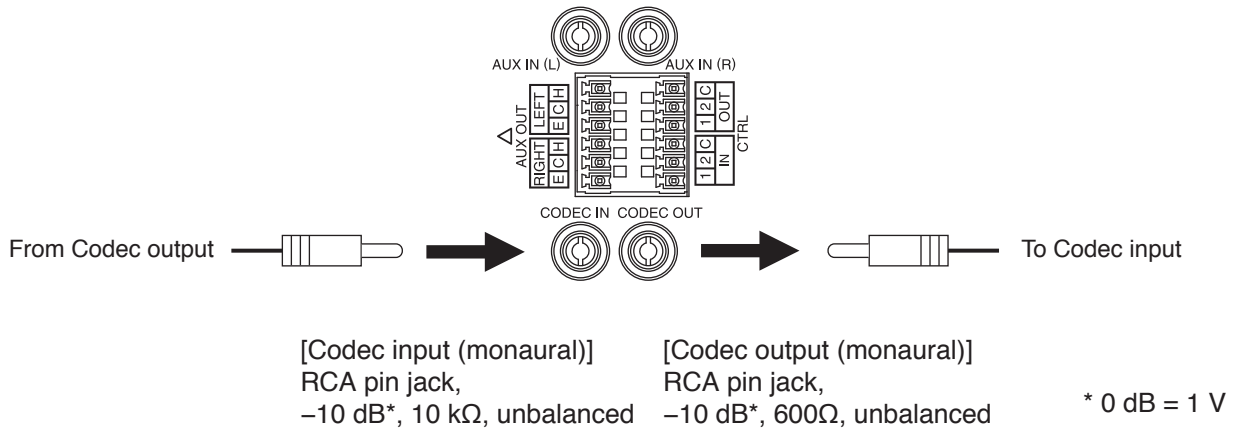
Use the supplied removable terminal plug (6 pins) for connection.  
 Connect the control input and output blocks using 2 control lines from external control devices.  
 For removable terminal plug connections, see p. 13.  
 For contact input and output functions, see p. 18.

[Control outputs 1-2]  
 Removable terminal block (6 pins)  
 Relay contact output  
 Withstand voltage: 40 V DC  
 Control current: 2 to 300 mA

[Control inputs 1-2]  
 Removable terminal block (6 pins)  
 No-voltage make contact input  
 Open-circuit voltage: 12 V DC or less  
 Short-circuit current: 2 mA or less



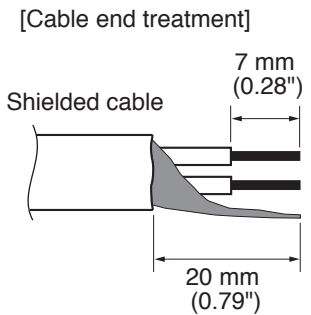
## 7.7. Codec Input and Output Connections



## 7.8. Removable Terminal Plug Connection

Use the removable terminal plugs supplied with the AM-CFI unit to connect the terminals by following the instructions below.

- Be sure to use shielded cables for audio signal lines.
- Avoid soldering cable conductor, as contact resistance may increase when the cable is tightened and the solder is crushed, possibly resulting in an excessive rise in joint temperatures.
- Use cables of AWG 12 – 24.



### [Terminal plug connections]

**Step 1.** Loosen the terminal screw, then insert the cable.

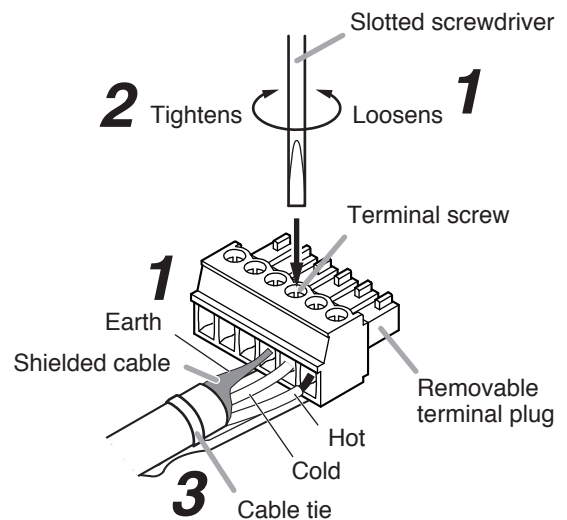
**Step 2.** Retighten the terminal screw. (Pull on the cable to ensure it is securely connected.)

**Step 3.** Secure the plug and cable with a cable tie or other appropriate band to prevent the cable from coming loose.

**Step 4.** Insert the plug into the audio output terminal.

### Tip

Recommended slotted screwdriver type: Screwdriver with blade that is 3 mm (0.12") in width



## 8. SYSTEM SETTINGS

### 8.1. Overview of System Settings

Connecting the AM-CF1 unit to a PC by way of a LAN cable allows the following function settings and maintenance to be performed using the PC's browser:

#### [Unit Settings]

- Network settings
- Clock settings
- User account settings
- Bluetooth® name settings
- Key lock setting

#### [Operation Settings]

- Volume adjustment and current value confirmation of various audio inputs and outputs
- EQ parameter adjustment
- Settings for microphone sound collection
- Echo and noise cancellation settings
- Operation settings for contact control input and output
- Operation setting for the multifunction indicators
- Saving and reading of the above setting data

#### [Maintenance Function]

- Firmware update

### 8.2. System Requirements

PC hardware requirements are as follows:

Display	1366 x 768 resolution or higher
---------	---------------------------------

Confirmed PC operation environments are as follows:

OS	Windows 10, 64-bit
	macOS 10.4.3 Mojave
Browser	Google Chrome 72.0.3626.81, Safari 12.0.3

## 8.3. Connections

**Step 1.** Start up the web browser and enter “Unit’s IP address” in the address field.

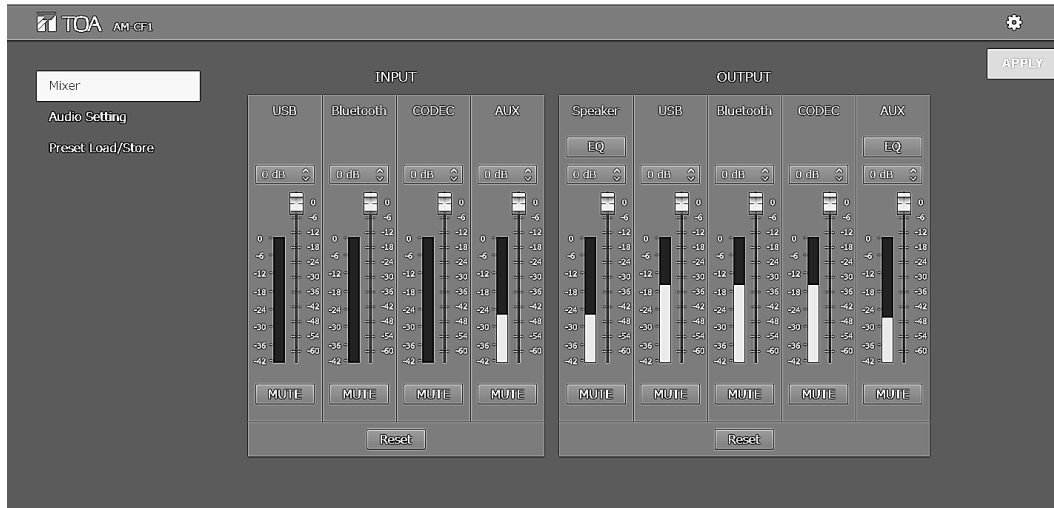
Example: 192.168.14.1

The login screen is displayed.

**Tip:** The IP address is factory-preset to “192.168.14.1”.

**Step 2.** Enter a user name and a password.

The menu screen is displayed.



### Note

Do not launch multiple web browsers at the same time.

### Tip

Default user name and password are as follows:

User name: amcf1

Password: amcf1guest

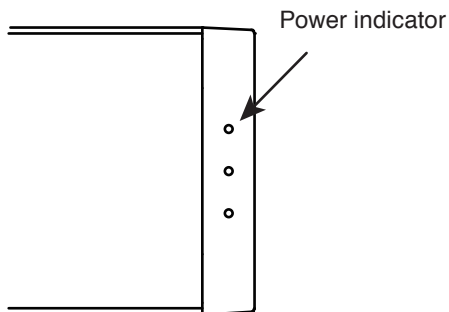
For settings using a browser, see the separate AM-CF1 Setup manual.

The latest version of the AM-CF1 Setup manual is made available on the TOA product data download site (<https://www.toa-products.com/international/>).

## 9. OPERATION

### 9.1. Turning Power ON and OFF

Connecting an AC adapter or a PoE extender (p. 10) to the AM-CF1 unit turns ON the power. In about approximately 90 seconds, the unit is set to “Normal Operation” mode and can be used. After use, switch the unit to “Power Standby” mode. When using the unit again, switch back to “Normal Operation” mode. Each state of operation is shown as follows by the Power indicator:



Operating Status		Lighting Status
[When power is ON]	Start processing in progress	Blue ↓ Green
	Preset data review in progress	Yellow
	Normal operation mode	Green
Power standby mode		Red
Power OFF		Extinguished

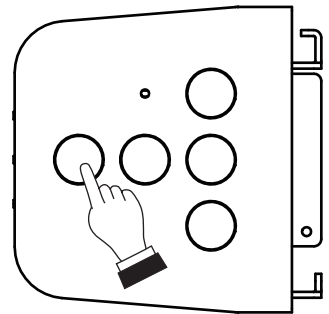
### 9.2. Switching between Power Standby and Normal Operation modes

[When in normal operation mode]

**Step:** Hold down this switch for 2 seconds to switch the unit to power standby mode.

[When in power standby mode]

**Step:** Hold down this switch for 1 second to switch back to normal operation mode.



### 9.3. Turning Power OFF

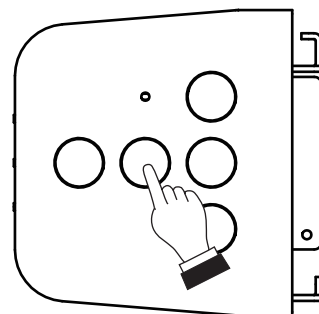
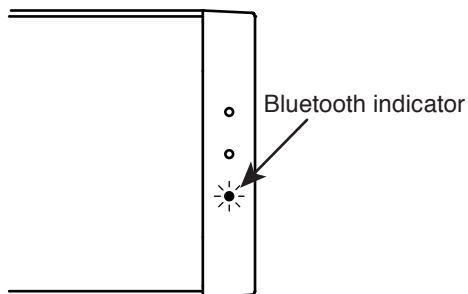
Detach the AC adapter or PoE extender from the unit when turning off the power.



## 9.4. Bluetooth Pairing

**Step 1.** Perform pairing operation on the connected peripheral device.

**Step 2.** Hold down the Bluetooth Pairing switch for 3 seconds or more.  
The Bluetooth indicator flashes.



**Step 3.** Confirm that the unit's name is displayed on the peripheral device screen.

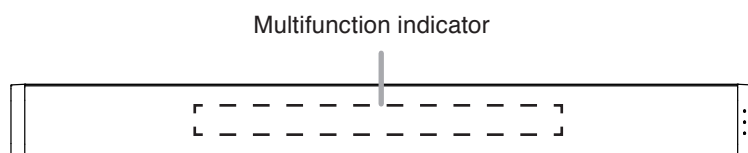
**Step 4.** Perform connection operation.

### Note

To cut off the connection while making the Bluetooth connection, hold down the Bluetooth Pairing switch for 3 seconds or more.

## 9.5. Volume Adjustment

The volume of sound output from the front panel speaker can be adjusted when in Normal Operation mode. While the volume is being adjusted, the current output volume setting state is displayed by the front panel-mounted multifunction indicator.



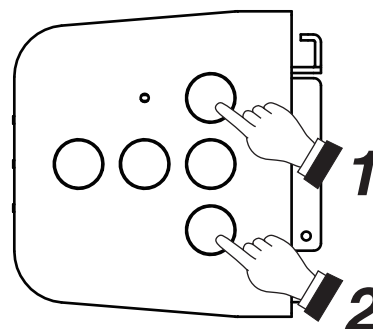
LED Lighting Status	Output Volume Setting Status
●●●●●●●	0 dB
●●●●●●○	-3 dB
●●●●●○○	-6 dB
●●●●○○○	-9 dB
●●●○○○○	-12 dB
●●○○○○○	-18 dB
●○○○○○○	-24 dB
○○○○○○○	-∞ dB

●: Lit ○: Unlit

Follow the procedure below to adjust the output to an easy-to-hear volume:

**Step 1.** Press the Volume Up switch to increase the volume.  
The number of lit Multifunction Indicator LEDs increases by one with each depression of the switch.

**Step 2.** Press the Volume Down switch to decrease the volume.  
The number of lit Multifunction Indicator LEDs decreases by one with each depression of the switch.



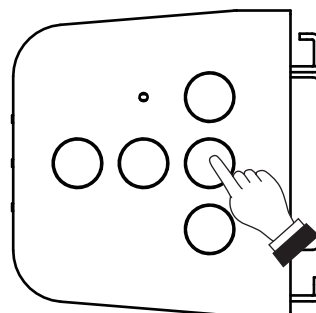
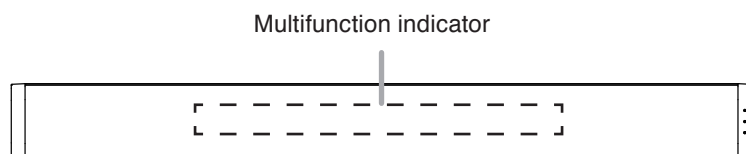
## 9.6. Microphone Muting

Sound picked up at the microphone can be muted when in Normal Operation mode.

### Step 1. Press the Mute button.

Sound picked up by the microphone is silenced.

The Multifunction indicator continuously lights red during muting.



**Note:** Whether all 7 LEDs or only 1 LED in the center light can be set using the web app. (See p. 14.)

### Step 2. To disable the mute, press the Mute button again.

## 10. CONTACT INPUT AND OUTPUT FUNCTIONS

Using a browser, the following contact input and output functions can be assigned to the control input and output terminals. To permit external control by connected equipment, short terminals 1 – 2 to the C terminal. For example, when terminals 1 – 2 have been allocated to Preset Memory Nos. 1 – 2 in the contact input settings on the Control/Indicator setting screen, shorting individual terminals to the C terminal allows Preset Memory Nos. 1 – 2 to be called up.

### (1) Contact input functions

- None (unused)
- Mute (Momentary/Latch)
- VOL. Up/Down
- Preset Memory Load (Preset) 1, 2

### (2) Contact output functions

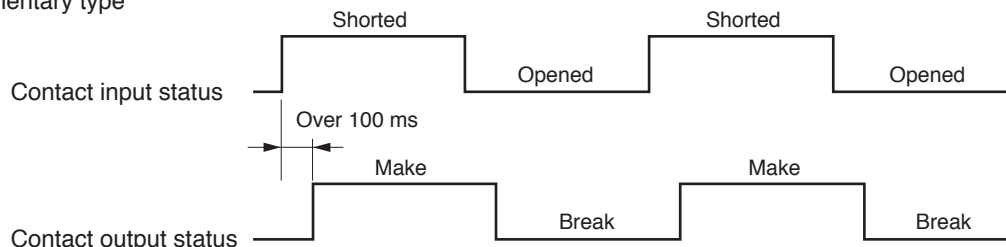
- None (unused)
- Mute Status
- Contact Through Out (Sync In) 1, 2

For details, see p. 14, "SYSTEM SETTINGS."

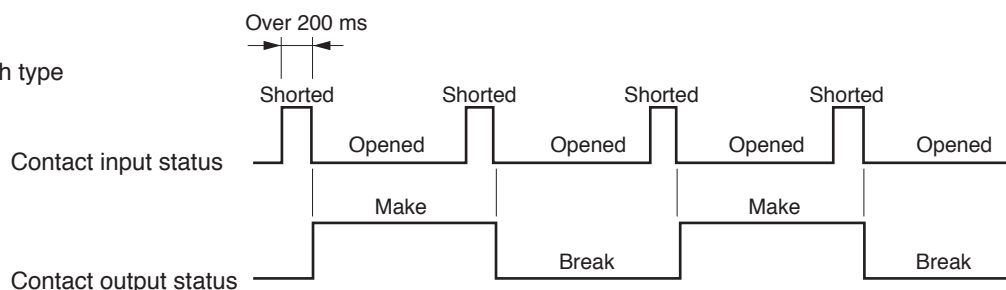
### 10.1. Terminal Control Method (Momentary/Latch)

Both momentary type and latch type are available for the terminal control method. Below is the operation diagram for each type of control method.

#### • Momentary type



#### • Latch type



## 10.2. Contact Input Settings

The following functions can be set for each terminal:

### **[Mute (Momentary/Latch)]**

Mutes sound collected at the microphone.

The mute/unmute control method differs depending on the settings.

Momentary: Between Mute and Unmute when the terminal is shorted to the C terminal.

Latch: Be set to Mute when the terminal is shorted to the C terminal, and to unmute when opened.

### **[VOL. Up/Down]**

Used to increase or reduce the volume of the AM-CF1 unit's internal speaker. Whenever a terminal is shorted to the C terminal, its gain increases or decreases.

For details, see p. 17, "Volume Adjustment."

### **[Preset Memory Load]**

Accesses the Preset Memory.

Set the Preset Memory (1 – 2) to terminals.

The Preset Memory is accessed when its corresponding terminal is shorted to the C terminal.

If different Preset Memories are assigned to multiple terminals, the last shorted terminal takes precedence.

## 10.3. Contact Output Settings

The following functions can be set for each terminal:

### **[Mute Status]**

A contact output terminal is closed or opened depending on microphone mute status.

If the microphone is muted, the contact output terminal is closed.

If the microphone is not muted, the contact output terminal is opened.

### **[Contact Through Out]**

A contact output terminal is closed or opened depending on the selection status of the specified contact input terminal.

Set the desired contact input terminal.

If the contact input terminal is closed, the contact output terminal is also closed.

If the contact input terminal is opened, then the contact output terminal is also opened.

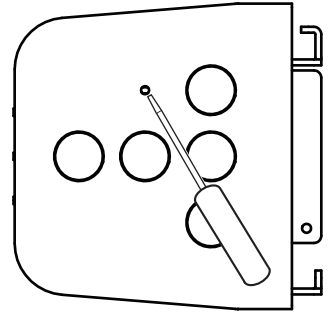
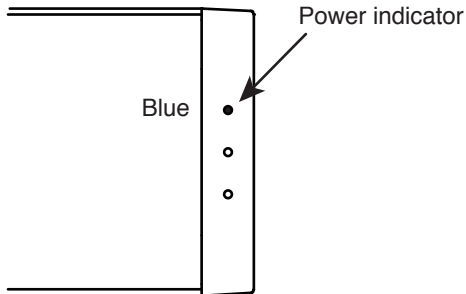
# 11. INITIALIZATION

## 11.1. Initializing All Settings

Follow the procedure below to restore the AM-CF1 unit to its default setting values:

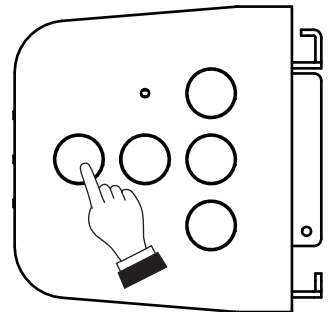
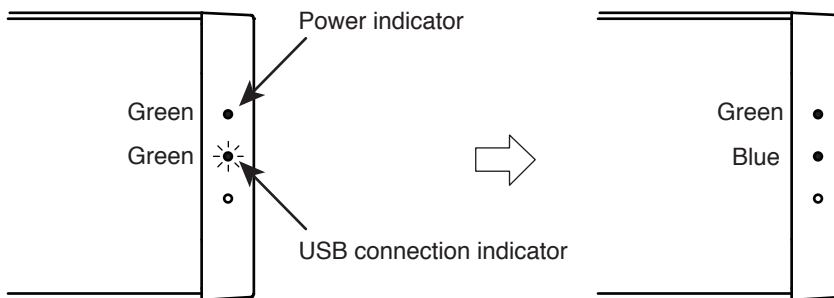
**Step 1.** Press the Reset switch.

The Power indicator lights blue.

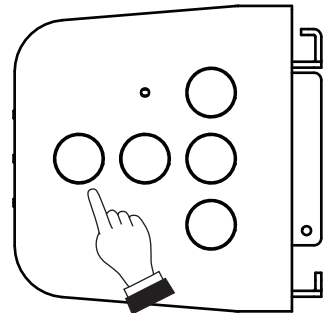


**Step 2.** Hold down the Power switch while confirming that the Power indicator lights blue.

After approximately 60 seconds, the Power indicator will light green and the USB connection indicator will light blue after flashing green.



**Step 3.** After ensuring that the USB connection indicator is lit blue, release the Power switch. Initialization is complete, causing the unit to start.



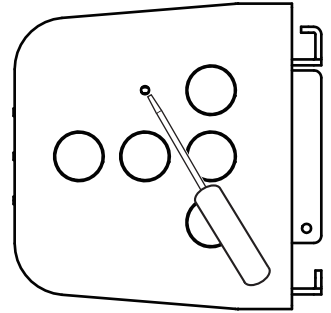
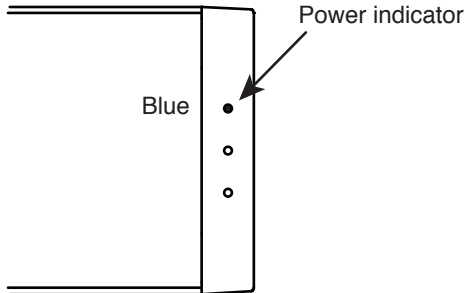
## 11.2. Initializing a Portion of the Settings

Follow the procedure below to restore the following settings to their default setting values:

- Network settings (IP Address, Subnet Mask, Default Gateway)
- Administrator Setting (Account User Name, Password)

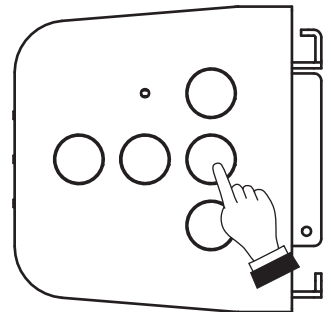
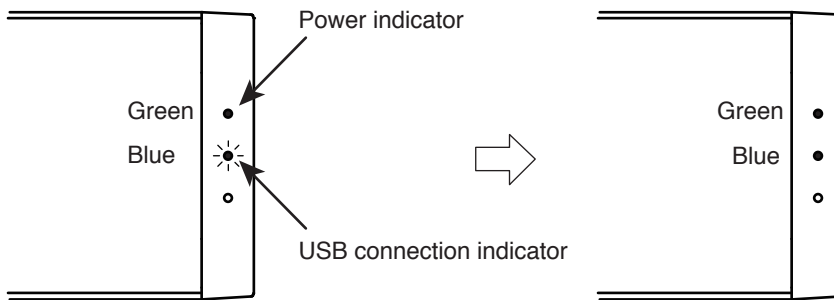
**Step 1.** Press the Reset switch.

The Power indicator lights blue.



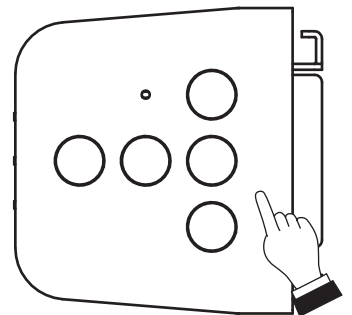
**Step 2.** Hold down the Mute switch while confirming that the Power indicator lights blue.

After approximately 60 seconds, the Power indicator will light green and the USB connection indicator will light blue after flashing blue.



**Step 3.** After ensuring that the USB connection indicator is lit blue, release the Mute switch.

The AM-CF1 unit will start after both Network and Administrator settings are initialized.



## 12. SOFTWARE LICENSE INFORMATION

The AM-CF1 Integrated Audio Collaboration System employs software based on the following open-source software licenses:

- GNU General Public License version 1 (GPL-1.0)
- GNU General Public License version 2 (GPL-2.0)
- GNU General Public License version 3 (GPL-3.0)
- GNU Affero General Public License version 3 (AGPL-3.0)
- GNU Lesser General Public License version 2 (LGPL-2.0)
- GNU Lesser General Public License version 2.1 (LGPL-2.1)
- GNU Lesser General Public License version 3 (LGPL-3.0)
- Mozilla Public License version 2.0 (MPL-2.0)
- IBM ICU License (ICU)
- Artistic License 1.0 (Artistic-1.0)
- Eclipse Distribution License 1.0 (EDL-1.0)
- The 4-Clause BSD License
- The 3-Clause BSD License
- The 2-Clause BSD License
- MIT License (MIT)
- Apache License 2.0 (Apache-2.0)
- Academic Free License version 2.0 (AFL-2.0)
- Eclipse Public License 1.0 (EPL-1.0)
- Freetype Project License (FTL)
- Izone License version 3
- ISC License (ISC)
- libbzip2 License version 1.0.6
- libpng License version 1.2.6
- NTP License (NTP)
- OpenLDAP Public License version 2.8
- OpenSSL License
- PHP License version 3.01 (PHP-3.01)
- Python Software Foundation License version 2 (PSF-2.0)
- zlib License
- Others

We do not guarantee the operation of open-source software itself, but we do guarantee the functionality of such software incorporated within the AM-CF1 according to the provision of each license.

### **For Specific Open-Source Software Information**

Please contact your nearest TOA dealer if you require details about any of the open-source software incorporated within the AM-CF1. However, we are unable to respond to inquiries about the contents of the open source.

## 13. SPECIFICATIONS

Model Number	AM-CF1B	AM-CF1W	
Power Source	12 V DC (supplied from the specified AC adapter) or 52 V DC (supplied from the specified PoE extender)		
Current Consumption	3.5 A or less		
Input	USB Audio: 2 channels, USB 3.0/USB 2.0/USB 1.1, 3.0 type-B port Bluetooth: 2 channels (A2DP1.3 (stereo), HPF1.6) Codec: 1 channel, -10 dB*1, 10 kΩ, unbalanced, RCA pin jack AUX: Stereo 1 channel, -10 dB*1, 10 kΩ, unbalanced, RCA pin jack		
Output	USB Audio: 2 channels, USB 3.0/USB 2.0/USB 1.1, 3.0 type-B port Bluetooth: 1 channel (HPF1.6) Codec: 1 channel, -10 dB*1, 600 Ω, unbalanced, RCA pin jack AUX: Stereo 1 channel, 4 dB*2, 600 Ω, electronically-balanced, removable terminal block (6 pins) Internal speaker: 2-way (woofer × 2, tweeter × 1) × 2, 10 W × 2		
USB Hub Port	USB 3.0/USB 2.0/USB 1.1, type-A port		
Control Input	2 channels, no-voltage make contact input, open voltage: 12 V DC, short-circuit current: 2 mA or less, removable terminal block (6 pins)		
Control Output	2 channels, relay contact output, withstand voltage: 30 V DC, control current: max. 300 mA, removable terminal block (6 pins)		
Network I/F	10BASE-T/100BASE-TX, RJ-45		
Microphone	Unidirectional electret condenser microphone		
Frequency Response	20 Hz – 20 kHz (AUX IN – AUX OUT)		
Operation	Power switch, Bluetooth pairing switch, Mute switch, Volume Up/Down switch		
Indicators	Power indicator (blue/green/yellow/red), USB connection indicator (green/blue), Bluetooth indicator (blue), Multifunction indicator (green/red)		
Operating Temperature	0 – 40°C (32 – 104°F)		
Operating Humidity	90% RH or less (no condensation)		
Finish	Body	Aluminum, black (RAL 9005 equivalent), 30% glossy	Aluminum, white (RAL 9003 equivalent)
	Punched net	Surface-treated steel plate, black (RAL 9005 equivalent), 30% glossy	Surface-treated steel plate, white (RAL 9003 equivalent)
	Side cover	ABS resin, black (RAL 9005 equivalent)	ABS resin, white (RAL 9003 equivalent)
Dimensions	800 (w) x 83.2 (h) x 85.8 (d) mm (31.5" x 3.28" x 3.38")		
Weight	4.6 kg (10.14 lb)		

\*1 0 dB = 1 V

\*2 0 dB = 0.775 V

### Notes

- The design and specifications are subject to change without notice for improvement.
- The Bluetooth® word mark and logos are registered trademarks owned by Bluetooth SIG, Inc. and any use of such marks by TOA corporation is under license. Other trademarks and trade names are those of their respective owners.

### • Accessories

#### [3CU version]

AC adapter (DC cord length: 1 m or 3.28 ft) .....	1
AC Power cord (2 m or 6.56 ft) .....	1
USB cable (3 m or 9.84 ft) .....	1
Removable terminal plug (6 pins) .....	2
Wall mounting bracket (preinstalled on the unit) .....	1
Hex wrench (M3) .....	1

**[H version]**

AC adapter (DC cord length: 1 m or 3.28 ft) .....	1
AC Power cord (2 m or 6.56 ft) .....	2
USB cable (3 m or 9.84 ft) .....	1
Removable terminal plug (6 pins) .....	2
Wall mounting bracket (preinstalled on the unit) .....	1
Hex wrench (M3) .....	1

**[W version]**

USB cable (3 m or 9.84 ft) .....	1
Removable terminal plug (6 pins) .....	2
Wall mounting bracket (preinstalled on the unit) .....	1
Hex wrench (M3) .....	1