

## CX-RM1700 Y

### TOUCH SCREEN REMOTE MICROPHONE



The CX-RM1700 is a Touch screen type remote microphone designed for the CX-1000 series IP communication system. By simply connecting this remote microphone to a network (LAN or WAN), audio broadcasts can be announced to the intercom stations, audio units, and amplifier units using the microphone or audio source devices connected to the audio input of this remote microphone. In addition, by registering audio files in the remote microphone's built-in memory, Chime broadcasts can be made with arbitrary content. The intuitive operation is available owing to the Touch screen LCD and the direct keys to which arbitrary functions can be assigned. Power can be supplied from a PoE-compatible switching hub (in this case, an optional AC adapter is not required). Images from the ONVIF®-Compatible IP cameras can be displayed.

Note: We do not guarantee the operations of all IP cameras.

### Key features

- 5-inch touch screen LCD and direct keys for intuitive operation
- Equipped with an electret condenser microphone
- Built-in dynamic speaker with 1 W max output
- Supports key audio codecs including G.722 and PCM
- 1 control input and 1 relay output for external device integration
- 2 control inputs, 1 control output and 1 mute control input
- Dual LAN ports with PoE support on LAN A
- PoE (IEEE802.3af compliant) or 12 V DC power

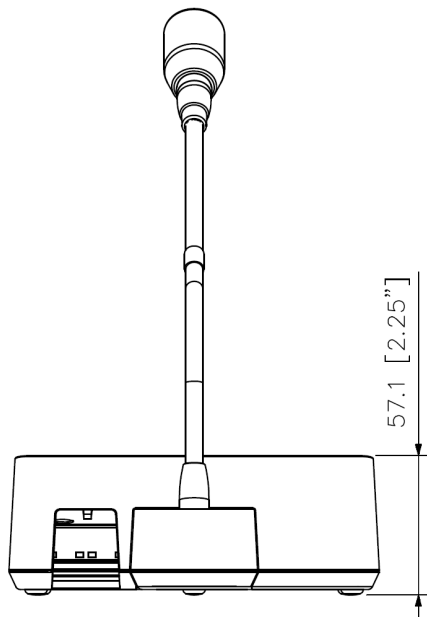
## Specifications

Power Source	PoE (IEEE802.3af compliant) or 12 V DC (use of the optional AC adapter)
Current Consumption	PoE: 190 mA, 12 V DC (AC adapter): 560 mA
Power Consumption	7.5 W
Microphone	Unidirectional electret condenser microphone (with indicator)
AUX Input	1 channel, -60 dB (*2)/20 dB (*2) selectable, 600 Ω, transformer-balanced, push-in terminal (3 pins)
Frequency Response	200 Hz - 16 kHz
Signal to Noise Ratio	60 dB or more
Distortion	1 % or less
Volume Control	Microphone volume control, AUX volume control
Internal Speaker	Dynamic type speaker, maximum output 1 W
Signal Processing	Input channel: Gain, EQ x 2, Comp, AGC, Trim, Gate (for VOX function), speech enhancement
Network Section	Network I/F: 100Base-TX Network protocol: TCP/IP, UDP, ARP, ICMP, HTTP, RTP, RTSP, IGMP, NTP, FTP, RSTP Audio packet transmission method: Unicast, Multicast Number of broadcasting destinations: Unicast (max. 16), Multicast (max. 2999) Connector: RJ45 connector x 2, LAN A (PoE compatible), LAN B (PoE incompatible) Network cable: UTP (Cat5 or greater)
ONVIF	Profile S Client
Audio Transmission	Sampling frequency: 48 kHz, 16 kHz (controllable on the software) Audio codec: PCM, G.722 Quantization bit depth: 16-bit Voice packet loss recovery: Silence insertion
User Control	Touch screen LCD, Direct key x 5, Talk key
Indicators	Touch screen LCD: 5" TFT color LCD, 1280 x 780 LED indicator: SELECT (green) x 5, Microphone (green) x 1, STATUS (yellow, red, green) x 1, TALK (green) x 1
Control Input	1 channel, no-voltage make contact input, open voltage: 12 V DC, short-circuit current: 5 mA or less, push-in terminal (2 pins)
Control Output	1 channel, relay contact output, maximum contact capacity : 30 V DC/100 mA, push-in terminal (2 pins)
Installation Method	Desktop installation only
Operating Temperature	0 °C to +40 °C (32 °F to 104 °F)
Operating Humidity	90 %RH (no condensation)
Finish	ABS resin, dark gray
Dimensions	152 (W) x 57.1 (H) x 188.7 (D) mm (5.98" X 2.25" x 7.43") (excluding microphone)
Weight	670 g (1.48 lb)
Included Accessories	Zip tie x 1
Optional Accessories	AC adaptor: AD-1210P, AD-1215P

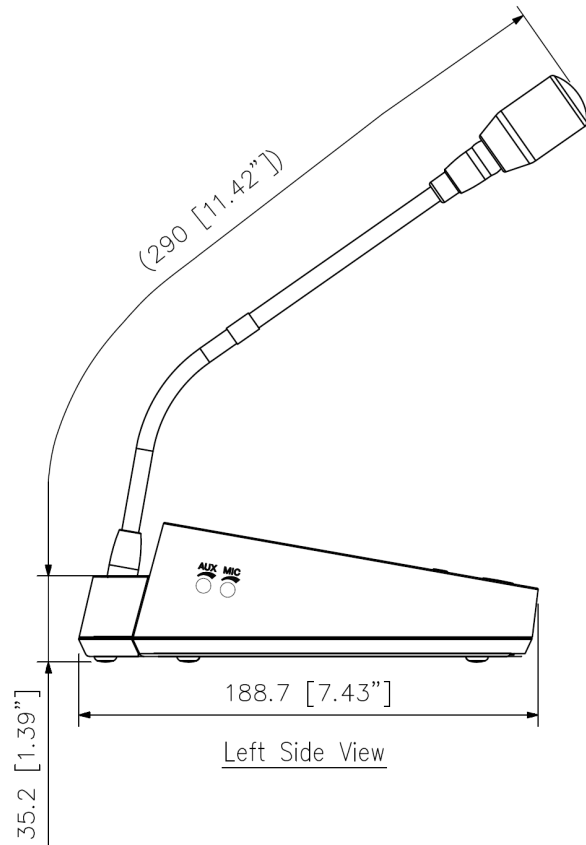
ONVIF is a registered trademark of ONVIF Inc.

(\*1) 0 dB = 1V

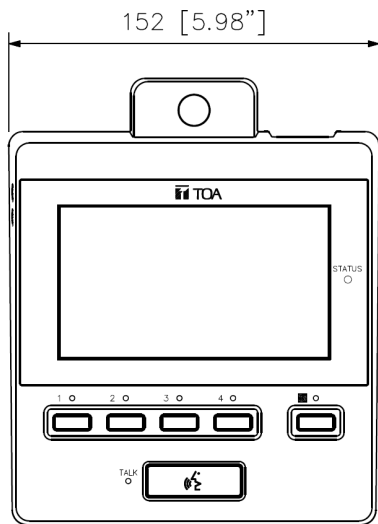
## Dimensions



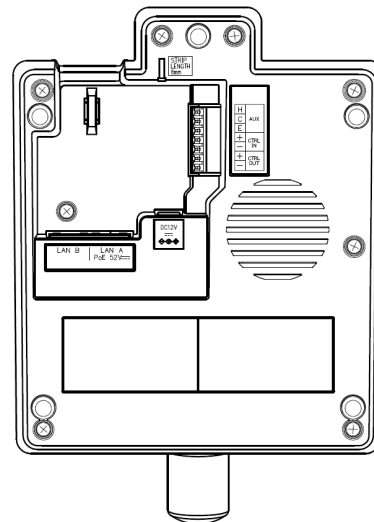
Rear View



Left Side View



Top View



Bottom View

UNIT:mm

Note: Numerical values in parentheses are for reference only.

## A&E specifications

The Touch Screen Remote Microphone shall be a network-connected, touch-screen type remote microphone designed for use with TOA's CX-1000 Series IP communication system.

The Touch Screen Remote Microphone shall enable IP-based paging over a network to compatible audio endpoints using unicast or multicast transmission. It shall support up to 16 unicast and 2999 multicast destinations.

The Touch Screen Remote Microphone shall be equipped with a 5-inch color LCD touchscreen (1280 × 780) and five direct keys with a dedicated TALK key, to facilitate intuitive operation. The Touch Screen Remote Microphone shall incorporate a built-in unidirectional electret condenser microphone with indicator and a 1 W dynamic speaker for monitoring. The Touch Screen Remote Microphone shall support high-quality audio transmission using 48 kHz or 16 kHz sampling frequency, with selectable PCM and G.722 audio codecs and 16-bit quantization.

The Touch Screen Remote Microphone shall include an automatic silence insertion function for audio packet loss recovery. One transformer-balanced AUX input shall be provided with selectable sensitivity (-60 dB/20 dB) at 600 Ω impedance. Independent volume control shall be available for both microphone and AUX input. The Touch Screen Remote Microphone shall provide one no-voltage control input and one relay contact output for external device control. Audio signal processing functions shall include gain, EQ, compressor, Automatic Gain Control (AGC), trim, VOX (voice-operated switch) gating, and a speech intelligibility filter. The Touch Screen Remote Microphone shall support voice announcement recording and preview. A Voice Stack Broadcast function shall be available to hold announcements until a higher-priority broadcast ends on the destination device, after which the held broadcast shall automatically start.

The Touch Screen Remote Microphone shall support data transmission over 100BASE-TX Ethernet. Dual LAN ports shall be provided, with LAN A supporting PoE (IEEE802.3af compliant) and LAN B for redundant network connection. Supported protocols shall include TCP/IP, UDP, ARP, ICMP, HTTP, RTP, RTSP, IGMP, NTP, FTP, and RSTP.

Power shall be supplied via IEEE802.3af-compliant PoE or 12 V DC using an optional AC adapter. Power consumption shall not exceed 7.5 W.

The Touch Screen Remote Microphone shall operate within a temperature range of 0 °C to +40 °C (32 °F to 104 °F) and humidity up to 90 %RH (non-condensing). The Touch Screen Remote Microphone shall be housed in a dark gray ABS resin enclosure. Dimensions shall be 152 (W) × 57.1 (H) × 188.7 (D) mm (5.98" × 2.25" × 7.43"), and weight shall be 670 g (1.48 lbs).

Optional extras: AC adapter (AD-1210P, AD-1215P)

Manufacturer: TOA Corporation

Model: CX-RM1700