

## IP-A1SC15

### IP HORN SPEAKER 15W



The IP-A1SC15 is an IP paging horn speaker to deliver clear announcements via network with 124 dB output capability powered by PoE+ power source. Its rugged enclosure is IP66 rated for outdoor environments. The IP-A1SC15 supports common network protocols for easy integrations with Video Management Systems and other SIP-compatible VoIP systems and devices. Group paging function is available with 20 Multicast ports for zone paging requirements. Internal sound source file storage allows storing pre-recorded messages or tones which can be played back by 2 control inputs or Remote API (HTTP/HTTPS).

### Key features

- 124dB (PoE+ powered) with IP66 rating for outdoor installations
- Receive SIP audio, ONVIF and Multicast
- Local broadcast using internal audio files
- 8W (PoE)/15W(PoE+) built-in amplifier
- 2 control inputs and 1 control output
- HTTP/HTTPS commands (receive)
- Audio file storage (20 files, total 80MB, WAV/MP3)
- Playback programs (Repeat, Weekly Timer)
- PoE/PoE+ powered

## Specifications

Power Source	PoE+ (IEEE802.3at Class 4), PoE (IEEE802.3af Class 3)
Power Consumption	22 W (at PoE+ powered, rated output) 12.95 W (at PoE powered, rated output) 5 W (IEC62368-1)
Amplifier Rated Output	15 W (at PoE+ powered), 8 W (at PoE powered)
Frequency Response	280 Hz to 12.5 kHz
Sensitivity	112 dB (1 W, 1 m) (500 Hz to 2.5 kHz, peak level)
Max. SPL	124 dB (at PoE+ powered, 15 W, 1 m) (500 Hz to 2.5 kHz, peak level) 121 dB (at PoE powered, 8 W, 1 m) (500 Hz to 2.5 kHz, peak level)
Audio Codec	Opus, PCMU (G.711u), PCMA (G.711a), G.722
Broadcasting Mode	SIP Broadcasting Mode: Opus/PCMU/PCMA/G.722 Multicast Broadcasting Mode: Opus/PCMU/PCMA/G.722 Auto codec recognition, 20 ports VMS Broadcasting Mode: PCMU Internal Message Broadcasting Mode Note: Each broadcast mode can be assigned an order of priority using the Priority Setting function.
Sound Source Files	Max. 20 files (File storage capacity: 80 MB total) Supported file formats WAV file: 8/16/44.1/48 kHz sampling frequency, 8/16 bit, monaural/stereo MP3 file: 32/44.1/48 kHz sampling frequency, 64 - 320 kbps, CBR/VBR, monaural/stereo Repeat playback: Playcount(1-10 times), Duration (5-3600 sec) or Timer (from Start time to End time) Interval time: 0 - 99 sec, Delay time: 0 - 99 sec Trigger: Control Input or Remote API (HTTP/HTTPS)
Chime	Pre and post chime tones (applied for Incoming SIP Call and internal audio file broadcast) Preset chime tone x 5, editable tone x 2
Network I/F	100BASE-TX, MDI/MDI-X, RJ-45
Network Protocol	IP, TCP, UDP, TLS, HTTP, HTTPS, RTP, SRTP, RTSP, RTCP, SRTCP, ARP, ICMP, IGMPv3, NTP, SIP (RFC3261), SIPS
Control Input	2 channels, no-voltage make contact inputs, open voltage: 5 V DC, short-circuit current: 2 mA or less, removable terminal block (3 pins)
Control Output	1 channel, open collector output, withstand voltage: 30 V DC, control current: 50 mA or less, removable terminal block (3 pins)
Indicator	LAN LINK/ACT (green), STATUS (orange)
Clock Accuracy	±13 seconds per month
Time Adjustment	Manual time setting, Time adjustment by NTP server
Power Outage Protection Period	24 hours (RTC time retention, at 40 °C (104 °F))
Dust/Water Protection	IP66
Operating Temperature	-30 °C to +55 °C (-22 °F to +131 °F)
Operating Humidity	90 %RH or less (no condensation)
Finish	Horn flare and body: Aluminum, off-white (RAL 9010 equivalent), paint Reflector horn: ABS resin, off-white (RAL 9010 equivalent) Rear cover: PC resin, off-white (RAL 9010 equivalent), paint Bracket, screws and bolts: Stainless steel
Dimensions	222 (W) x 211 (H) x 276 (D) mm (8.74" x 8.31" x 10.87")
Weight	1.4 kg (3.09 lb)

Included Accessories	Rear cover x 1, Removable terminal plug (3 pins) x 2
----------------------	--

Optional Accessories	Speaker mount bracket: SP-131, SP-201, SP-301 Pole band: YS-60B
----------------------	--

Note: Take special care to avoid mounting this speaker directly to structures (such as ski lift towers) that generate large amounts of vibration. Also, do not use this speaker in environments where it may be exposed to oil or other chemicals, as mounting parts could rapidly deteriorate, possibly resulting in personal injury or other accidents due to the speaker falling.

\*ONVIF is a registered trademark of ONVIF Inc.

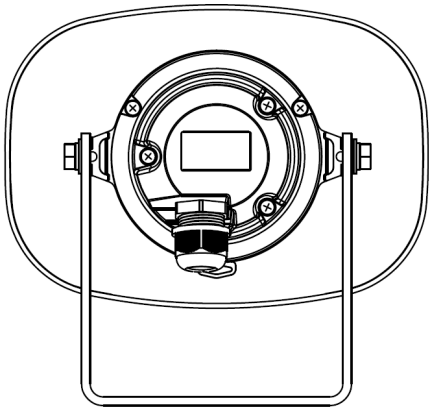
\*These specifications apply to the firmware version 3.4.0 or later. For the latest specifications and firmware, please refer to the TOA DATA Library (<https://www.toa-products.com/international/>)

## PC requirements

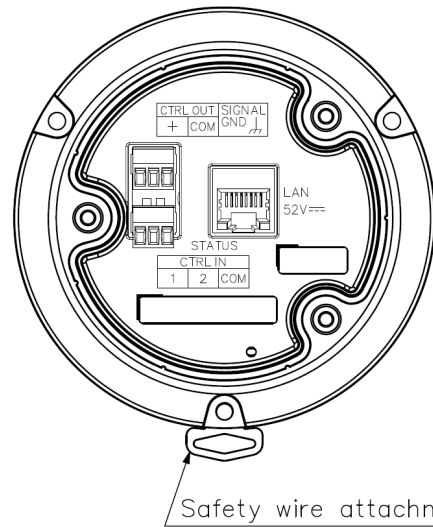
### PC Requirements

Display	1920 x 1080 resolution or greater
OS	Windows 10 Pro (64 bit edition) Windows 10 Home (64 bit edition) Windows 11 Pro Windows 11 Home
Web Browser	Google Chrome Microsoft Edge

## Dimensions

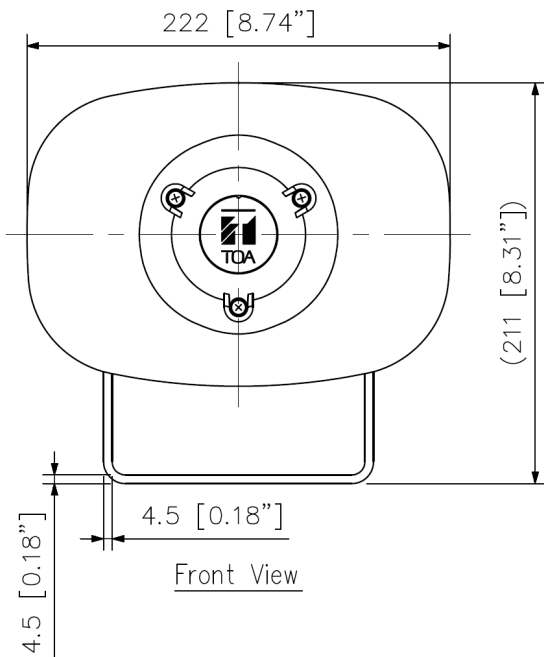


Rear View

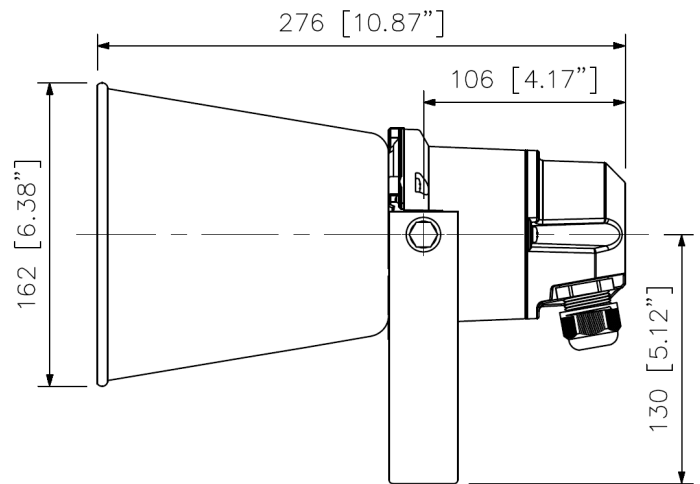


Safety wire attachment ring

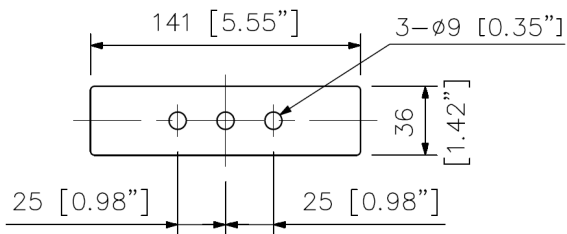
Close-up with rear cover removed



Front View



Side View



Dimensions of mounting bracket

UNIT:mm

Note: Numerical values in parentheses are for reference only.

## A&E specifications

The IP horn loudspeaker shall be able to support various standard network protocols and forums such as API (Application Programming Interface), and shall be able to complement VMS (Video Management System) and other network video integration systems. For the deployment of multiple speakers, multi-cast paging shall be made possible via a SIP microphone or telephone. The device shall be protected against the ingress of water and dust to IP 66 standards and shall be SIP compliant to broadcast clear and intelligible messages over a wide area via a single network cable. There shall be two no-voltage control input and an open collector output for broadcast; internal audio source, calling to a SIP telephone and an external beacon, etc.

Remote settings of the IP horn loudspeaker shall be achieved by connection to a Windows® based personal computer and by using the PC's browser, operational settings, functions, speaker volumes and system status can be achieved.

The frequency response of the loudspeaker shall be between 280 Hz – 12.5 kHz measured on axis with a Sound Pressure Level (SPL) of 124 dB measured at 1 meter with a power input of 15 watts or 121dB with a power input of 8 watts measured at 1 meter. The internal class-D amplifier shall be capable of producing up to 8 watts of power using PoE and up to 15 watts of power when using PoE+.

The IP horn loudspeaker shall operate in temperature conditions of between -30 to + 55 °C (-22 to 131 °F) and shall be constructed from aluminum with an ABS resin reflector horn finished in an off-white (RAL 9010 equivalent), bracket, screws and bolts shall be stainless steel. Dimensions shall be 222(W) x 211(H) x 276(D) mm (8.74" x 8.31" x 10.87 ") weighing 1.4kg (3.09 lb).

Optional extras: Speaker Mount Bracket: SP-131, SP-201, SP-301 Pole Band: YS-60B manufactured by TOA Corporation

Manufacturer: TOA Corporation

Model: IP-A1SC15