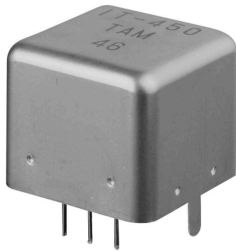


IT-450

INPUT TRANSFORMER



Designed to be mounted on the circuit board, the unit converts an input/output of unbalanced type into that of balanced type.

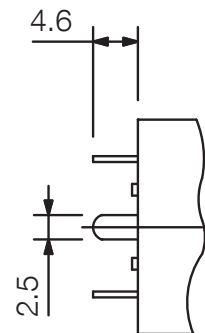
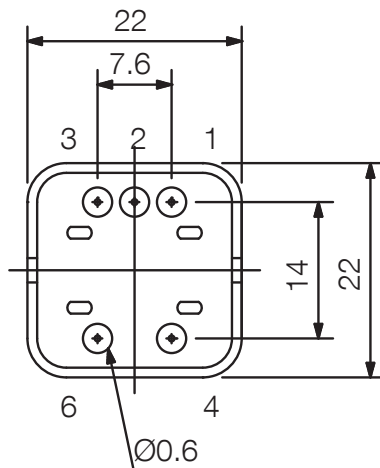
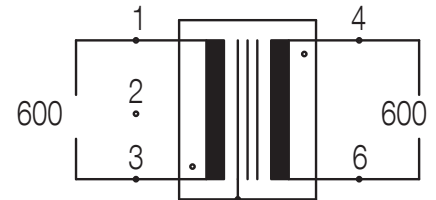
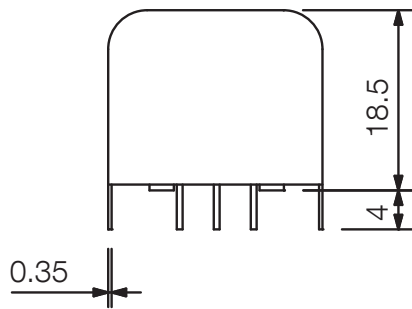
Key features

- Designed to be mounted on the circuit board
- The unit converts an input/output of unbalanced type into that of balanced type

Specifications

Impedance	600 Ω ±10 %
Frequency Response	200 Hz - 10 kHz

Dimensions



UNIT:mm

SCALE:1/1