

## PE-304BU

### PENDANT SPEAKER 30W



The PE-304BU is a pendant speaker designed for the installations suspended from a ceiling. A directly-attached 5 m (16.4 ft) hanging wire allows the speaker to be suspended from high ceilings. The PE-304BU is driven on both high-impedance (100 V, 70 V and 25 V) and low-impedance (8  $\Omega$ ) lines. The input power (impedance) can be easily changed at the upper side of the speaker. The PE-304BU is certified to UL 1480 UUMW and ULC-S541 standards. Using the supplied GRIPPLE(R) hangers will facilitate the speaker mounting height adjustment.

### Key features

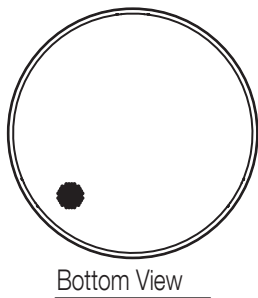
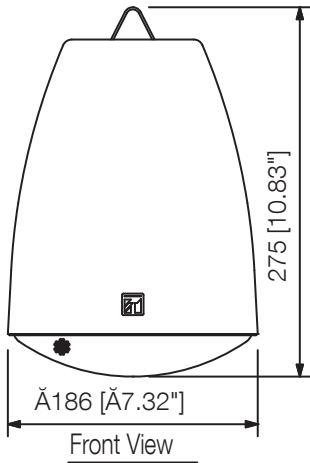
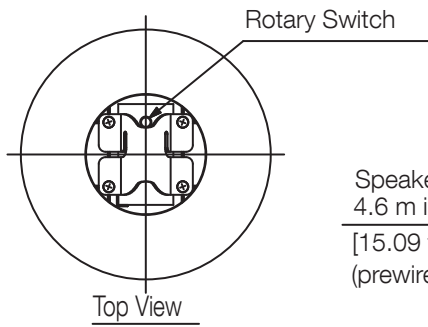
- Stylish design inspired by modern lighting fixtures
- Ideally suited for BGM & announcements
- 8  $\Omega$  and 25 V/70 V/100 V operation
- Input impedance is easily changed with a rotary switch on the top of the speaker
- With speaker cable, GRIPPLE® hanging wire & safety wire pre-attached, for faster, easier and more secure installation
- UL certified: UL Code: UL1480 UUMW, ULC-S541
- Bass-reflex type

## Specifications

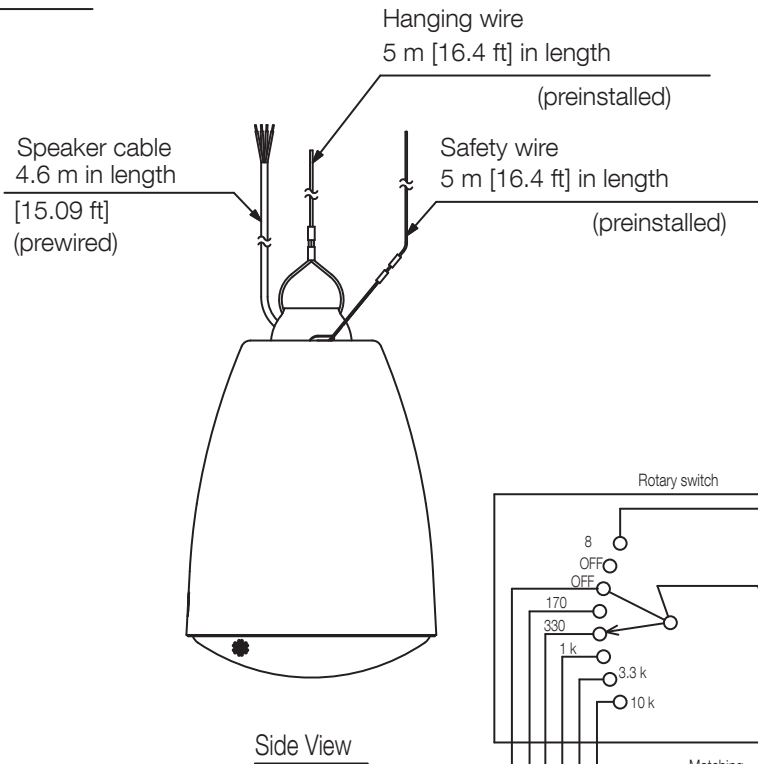
Enclosure	Bass-reflex type
Rated Input	30 W (100 V, 70 V line, 8 Ω), 3.7 W (25 V line)
Rated Impedance	100 V line: 330 Ω (30 W), 1 kΩ (10 W), 3.3 kΩ (3 W), 10 kΩ (1.3 W) 70 V line: 170 Ω (30 W), 330 Ω (15 W), 1 kΩ (5 W), 3.3 kΩ (1.5 W), 10 kΩ (0.6 W) 25 V line: 170 Ω (3.7 W), 330 Ω (1.9 W), 1 kΩ (0.6 W), 3.3 kΩ (0.2 W), 10 kΩ (0.1 W) Low impedance: 8 Ω
Sensitivity	90 dB (1 W, 1 m) (330 Hz - 3.3 kHz, pink noise)
Frequency Response	95 Hz - 20 kHz (-10 dB)
Speaker Component	12 cm (5") cone-type + balanced dome-tweeter (coaxial)
Compliance/Certifications	UL 1480 UUMW, ULC-S541
Operating Temperature	-10 °C to +50 °C (14 °F to 122 °F)
Finish	Enclosure: ABS resin, black, Grille: Surface-treated steel plate mesh, black, paint
Dimensions	Ø186 x 275 (H) mm (Ø7.32" x 10.83") (unit only)
Weight	2 kg (4.41 lb) (unit only)
Included Accessories	GRIPPLE® No.1 x 1, GRIPPLE® No.2 x 1, Release key (for GRIPPLE®) x 1, Safety wire (Ø1.5 mm (Ø0.06") x 1, Hanging wire (Ø2 mm (Ø0.08") x 1, Speaker Cable (4-core FPL listed cable 4.6 m (15.09 ft) x 1 # GRIPPLE® No.1 and No.2 are hangers for suspending the speaker.

\*GRIPPLE® is a registered trademark of Gripple Limited, England.

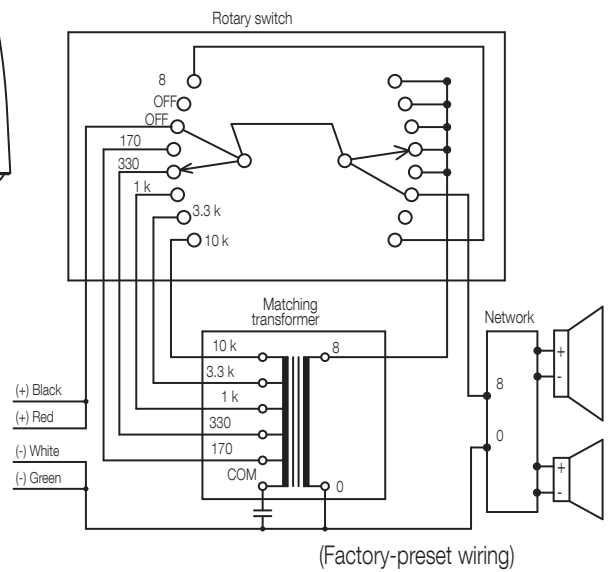
## Dimensions



UNIT:mm SCALE:1/6



Wiring Diagram



- \* Never connect the 170 terminal to the 100 V line.
- \* Never connect the 8 terminal to the 100 V or 70 V or 25 V line.