

PE-304

PENDANT SPEAKER 30W 2WAY



The PE-304 is a pendant speaker designed for ceiling suspension installations. Considered in architectural design, it can blend in with lighting equipment. A directly-attached 5 m (16.4 ft) cable allows the speaker to be suspended from the high ceiling. The PE-304 is driven on both high-impedance (100 V and 70 V) and low-impedance (8 Ω) lines. The input power (impedance) can be easily changed at the upper side of the speaker. The speaker is easy to repaint so as to meet a wide range of design needs.

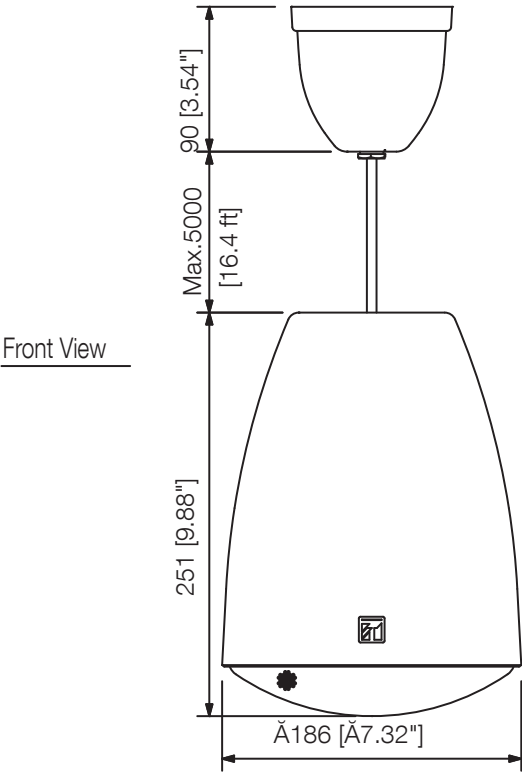
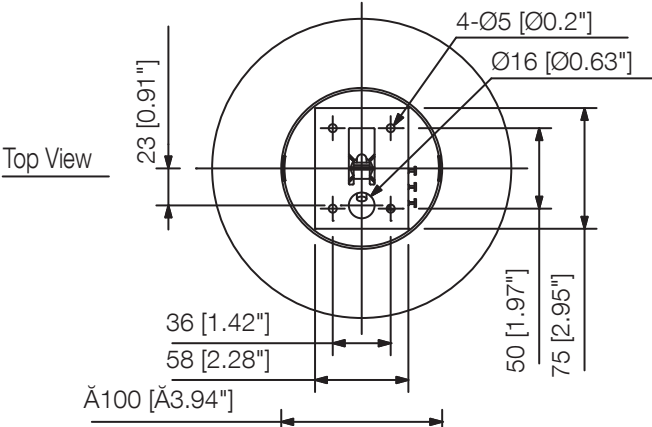
Key features

- Ideally suited for BGM and announcements
- Stylish and outstanding design inspired by the finest lighting fixtures
- Excellent sound quality
- Sturdy cable extendable up to 5 meters
- Paintable
- Input impedance easily changeable
- Bass-reflex type

Specifications

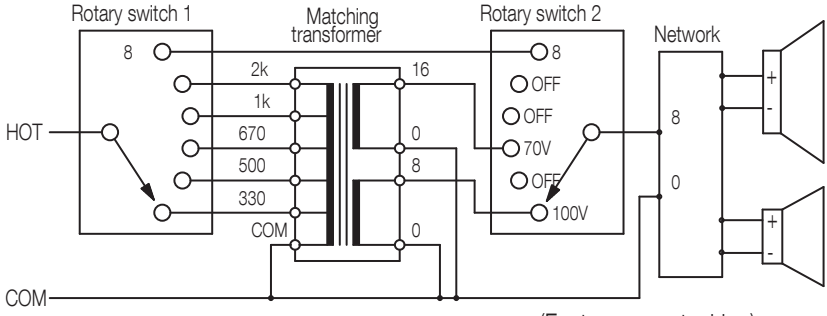
Enclosure	Bass-reflex type
Rated Input	30 W (100 V, 70 V line, 8 Ω)
Rated Impedance	100 V line: 330 Ω (30 W), 500 Ω (20 W), 670 Ω (15 W), 1 k Ω (10 W), 2 k Ω (5 W) 70 V line: 170 Ω (30 W), 250 Ω (20 W), 330 Ω (15 W), 500 Ω (10 W), 1 k Ω (5 W) 8 Ω
Sensitivity	91 dB (1 W, 1 m) (500 - 5,000 Hz, pink noise)
Frequency Response	70 - 20,000 Hz (peak -20 dB)
Speaker Component	12 cm (5") cone-type + balanced dome-tweeter
Speaker Cable	2-core cabtyre cord 5 m (16.4 ft)
Cable Requirements	600 V vinyl-insulated cable (IV wire or HIV wire) Solid copper wire: \varnothing 0.8 - \varnothing 1.6 mm (equivalent to AWG 20 - 14) 7-core twisted copper wire: 0.75 - 1.25 mm ² (equivalent to AWG 18 - 16)
Connection	Push-in connector (bridging terminal-2 branch type)
Finish	Enclosure: HIPS resin, off-white (RAL 9010 or equivalent color) Grille: Surface-treated steel plate net, off-white (RAL 9010 or equivalent color), paint
Dimensions	\varnothing 186 x 251 (H) mm (\varnothing 7.32" x 9.88") (unit only)
Weight	2.1 kg (4.63 lb) (unit only)
Included Accessories	Ceiling bracket x 1, Mounting hanger x 1, Ceiling cover x 1, Speaker mounting screw (4 x 16) x 4

Dimensions



UNIT:mm

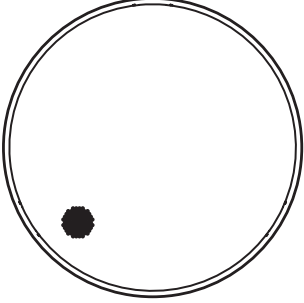
SCALE:1/5



(Factory-preset wiring)

Note: Never connect the 8 terminal to the 100 V or 70 V line.

Wiring Diagram



A&E specifications

The speaker shall be a bass-reflex 5" (12cm) cone type, plus balanced dome tweeter, suitable for ceiling suspension mounting. Input impedance shall be easily adjustable with rotary switch on the upper side of the speaker.

The speaker shall include a transformer having multiple taps (5W, 10W, 15W, 20W, 30W at 100V and 70V, and 8ohm) adjustable. The output sound pressure level at a distance of 1m with a 1W input level applied shall be 91 dB SPL. The speaker shall have a frequency response of 70 – 20,000Hz (-20dB).

The speaker enclosure shall be constructed of HIPS resin. The grille shall be constructed of surface-treated steel plate net. The speaker shall be available in off-white color, and shall be easily repaintable. The unit shall have dimensions of ø186 x 251 (H) mm (ø7.32" x 9.88"), and a weight of 2.1 kg (4.63 lbs.).

The speaker shall be a TOA model PE-304.