

SC-630TU

PAGING HORN SPEAKER (UL)



The SC-630TU is a compact, highly intelligible speaker suited to public address announcement applications. Its external speaker component finished with powder coating, and stainless steel bracket and screws ensure the unit's weatherproof capability. The SC-630TU is certified to UL 1480 UUMW and ULC-S541 standards, and suitable for outdoor use.

Key features

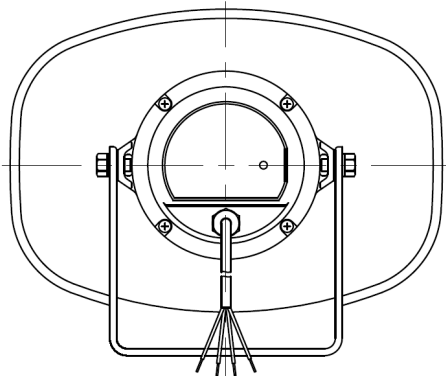
- Paging horn speakers for voice paging and tone signaling distribution.
- Certified to Fire Alarm Signaling Speaker certification
- UL 1480 UUMW and ULC-S541 listed.
- Double re-entrant horn with compression driver
- Usable as a microphone for intercom talk-back applications.
- Input impedance selector (25V and 70V) with rotary switch
- Controlled dispersion
- Weather-resistant to withstand demanding environmental conditions.
- IEC IP65 standards compliant for dust and moisture resistance.
- Non-flammable transformer case and speaker cable
- Extra wide temperature range: -40°F to 151°F
- Diaphragms employing special heat-resistant polyimide film to prevent the diaphragm from absorbing moisture and changing shape

Specifications

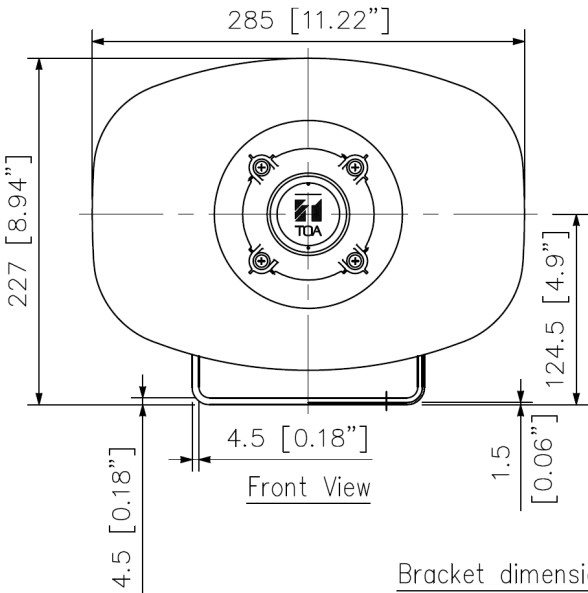
Rated Input	30 W
Rated Impedance	70 V line: 170 Ω (30 W), 330 Ω (15 W), 650 Ω (7.5 W) 25 V line: 21 Ω (30 W), 42 Ω (15 W), 170 Ω (3.9 W), 330 Ω (2.1 W), 650 Ω (1.1 W)
Sound Pressure Level	113 dB (1 W, 1 m at 500 Hz to 2.5 kHz peak level)
Frequency Response	250 Hz - 10 kHz
Polarity	Hot: Black and Red cables, Com: White and Green cables
Speaker Cable	4-core FPL listed cable 0.6 m (1.97 ft) (4.8 mm (0.19") in diameter, 600 mm (1.97 ft) in length)
Compliance/Certifications	UL 1480 UUMW, ULC-S541
Dust/Water Protection	IP65
Operating Temperature	-40 °C to +66 °C (-40 °F to 151 °F) (must be free from dew condensation)
Finish	Horn flare: Aluminum, white (RAL 9010 equivalent), powder coating Reflector horn: ABS resin, white (RAL 9010 equivalent) Rear cover: ABS resin, gray (RAL 7031 equivalent) Bracket, screws and bolts: Stainless steel
Dimensions	285 (W) x 227 (H) x 277 (D) mm (11.22 x 8.94" x 10.91")
Weight	2 kg (4.41 lb)
Optional Accessories	Swivel bracket: YS-151S (Can be used instead of the supplied bracket.)

Avoid installing the speaker in locations which vibrate considerably, or under environments easy to be oil-contaminated.

Dimensions



Rear View

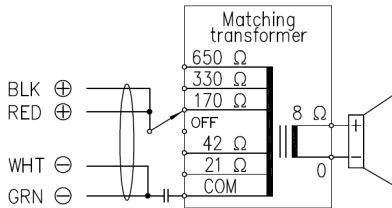


Front View

Bracket dimensional diagram

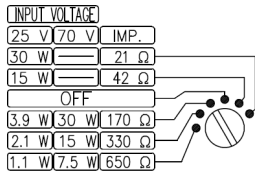
UNIT:mm

CAUTION
NEVER SET THE SWITCH TO "OFF" POSITION
FOR 70 V LINE OPERATION, AS DOING SO MAY
RESULT IN DAMAGE TO THE SPEAKER.



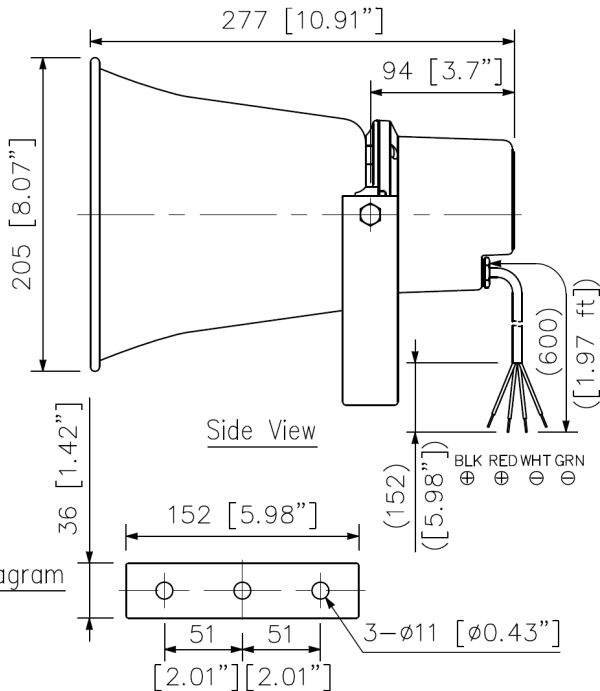
(Transformer connection when the speaker is supplied from the factory)

Wiring diagram



Set the impedance selector to the desired impedance.

Impedance selection



Side View

Note: Numerical values in parentheses are for reference only.